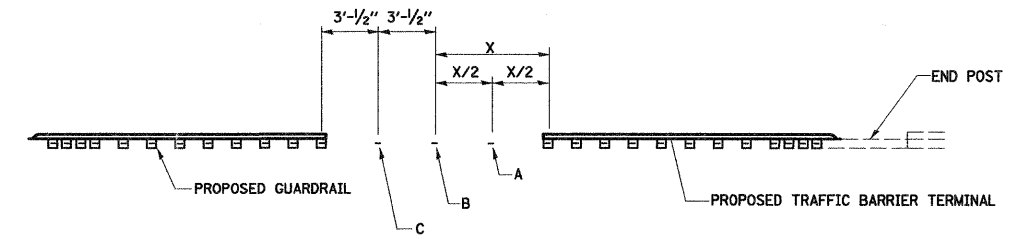
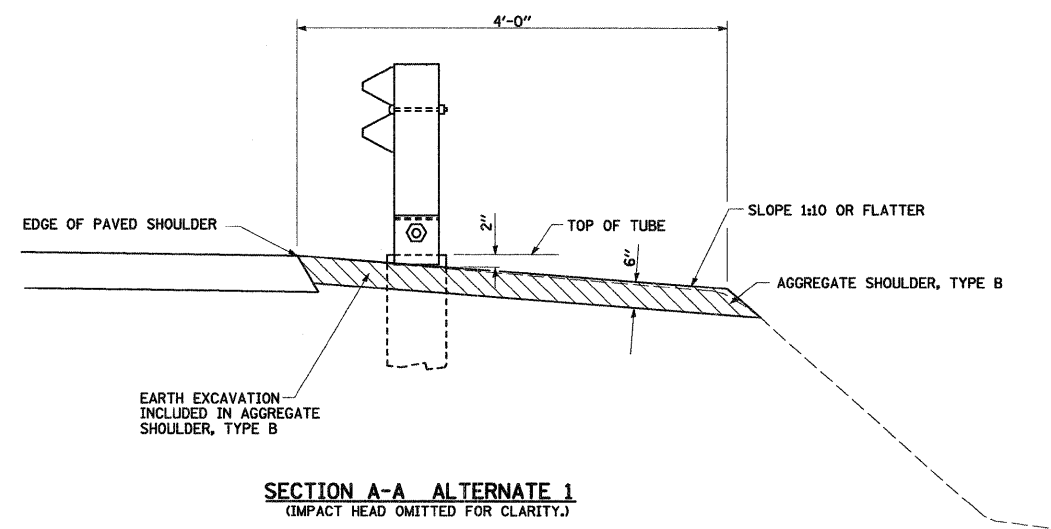


TRAFFIC BARRIER TERMINAL TYPE 1 (SPECIAL)

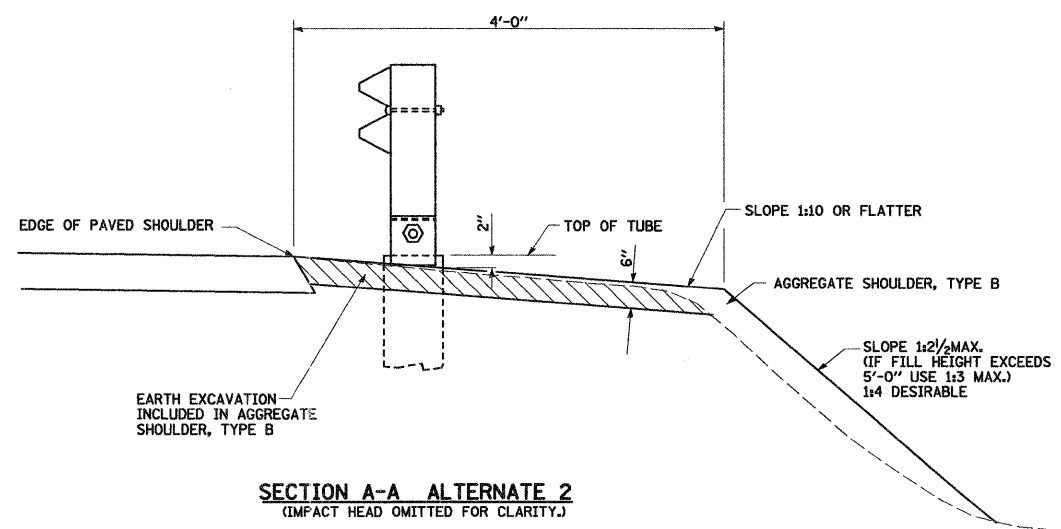


DETAIL OF TRAFFIC BARRIER TERMINAL CONNECTION TO PROPOSED GUARDRAIL SPLICE

1. INSTALL POST B HALFWAY BETWEEN POST A AND C.
2. FIELD DRILL RAIL ELEMENT AT B AND A AND ATTACH USING NEW BOLTS, NUTS AND WASHERS. PAINT DRILLED HOLES WITH ZINC-RICH PAINT.
3. INSTALL VARIABLE LENGTH RAIL TO SPAN GAP BETWEEN POST A AND C, USING NEW SPLICE PLATES, BOLTS AND NUTS.
4. ADJUST POST SPACING SO THAT X/2 IS BETWEEN 3'- 1/2" TO 6'- 3"
5. THE COST OF ADJUSTING PROPOSED GUARDRAIL TO CONNECT TO PROPOSED TRAFFIC BARRIER TERMINAL SHALL BE CONSIDERED AS INCIDENTAL TO THE INSTALLATION OF TRAFFIC BARRIER TERMINAL OF THE TYPE SPECIFIED.



SECTION A-A ALTERNATE 1
(IMPACT HEAD OMITTED FOR CLARITY.)



SECTION A-A ALTERNATE 2
(IMPACT HEAD OMITTED FOR CLARITY.)

FILE NAME =	USER NAME = paul	DESIGNED -	REVISED -	STATE OF ILLINOIS DEPARTMENT OF TRANSPORTATION	GUARDRAIL DETAILS		F.A. RTE.	SECTION	COUNTY	TOTAL SHEETS	SHEET NO.
SA\Projects\407-0029-SHY 1-255 (GUARDRAIL)\dgn\CAD SHEETS\0816C32-sh1-detailed.dgn	PLOT SCALE = 0.20" / IN.	DRAWN -	REVISED -				60-(8,9,10,11)J	MADISON	37	36	
	PLOT DATE = 12/8/2008	CHECKED -	REVISED -				CONTRACT NO. 76C31				
		DATE -	REVISED -				FED. ROAD DIST. NO. ILLINOIS FED. AID PROJECT				
				SCALE:	SHEET NO. 1 OF 1 SHEETS	STA. TO STA.					

•FAI 255/FAP 310