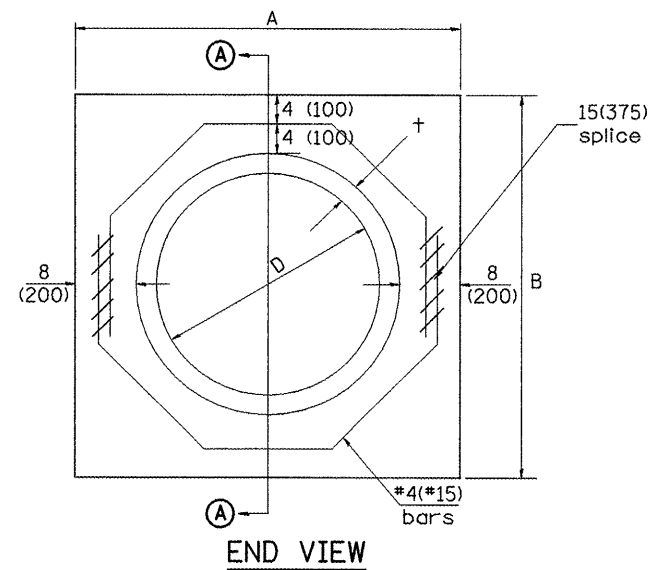
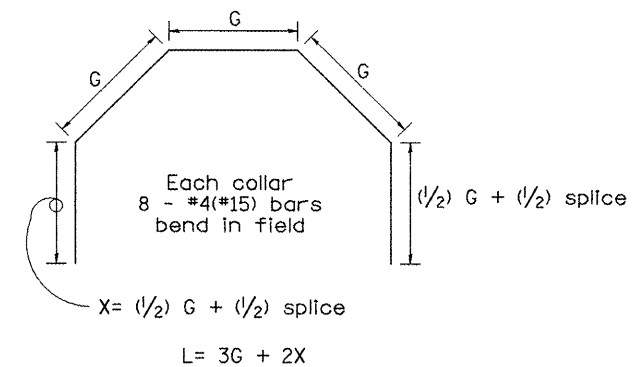


SECTION A - A



END VIEW



Each Collar								
					Reinforcement Bars			
D	t	A	B	CL. SI CONC.	G	X	L	Weight
in (mm)	in (mm)	ft (m)	ft (m)	cu. yd. (m <sup>3</sup> )	in (mm)	in (mm)	ft (m)	lb (kg)
12 (300)	2.00 (51)	2.67 (0.814)	2.67 (0.814)	0.4 (0.270)	9 <sup>15</sup> / <sub>16</sub> (253)	12 <sup>7</sup> / <sub>16</sub> (317)	4.57 (1.393)	24 (11)
15 (375)	2.25 (57)	2.96 (0.902)	2.96 (0.902)	0.4 (0.315)	11 <sup>3</sup> / <sub>8</sub> (290)	13 <sup>3</sup> / <sub>16</sub> (335)	5.05 (1.541)	27 (12)
18 (450)	2.50 (64)	3.25 (0.991)	3.25 (0.991)	0.5 (0.362)	12 <sup>13</sup> / <sub>16</sub> (327)	13 <sup>7</sup> / <sub>8</sub> (354)	5.54 (1.689)	30 (14)
21 (525)	2.75 (70)	3.54 (1.079)	3.54 (1.079)	0.5 (0.411)	14 <sup>1</sup> / <sub>4</sub> (364)	14 <sup>5</sup> / <sub>8</sub> (372)	6.02 (1.836)	32 (15)
24 (600)	3.00 (76)	3.83 (1.167)	3.84 (1.167)	0.6 (0.460)	15 <sup>11</sup> / <sub>16</sub> (401)	15 <sup>5</sup> / <sub>16</sub> (391)	6.51 (1.984)	35 (16)
27 (675)	3.25 (83)	4.13 (1.259)	4.13 (1.259)	0.7 (0.516)	17 <sup>1</sup> / <sub>4</sub> (438)	16 <sup>1</sup> / <sub>16</sub> (409)	6.99 (2.131)	37 (17)
30 (750)	3.50 (89)	4.42 (1.347)	4.42 (1.347)	0.7 (0.570)	18 <sup>11</sup> / <sub>16</sub> (475)	16 <sup>3</sup> / <sub>4</sub> (428)	7.48 (2.279)	40 (18)
33 (825)	3.75 (95)	4.71 (1.436)	4.71 (1.436)	0.8 (0.624)	20 <sup>1</sup> / <sub>8</sub> (512)	17 <sup>1</sup> / <sub>2</sub> (446)	7.96 (2.426)	43 (19)
36 (900)	4.00 (102)	5.00 (1.524)	5.00 (1.524)	0.9 (0.682)	21 <sup>9</sup> / <sub>16</sub> (549)	18 <sup>3</sup> / <sub>16</sub> (465)	8.44 (2.574)	45 (20)
42 (1050)	4.50 (114)	5.58 (1.701)	5.58 (1.701)	1.0 (0.800)	24 <sup>7</sup> / <sub>16</sub> (622)	19 <sup>3</sup> / <sub>4</sub> (501)	9.41 (2.869)	50 (23)
48 (1200)	5.00 (127)	6.17 (1.881)	6.17 (1.881)	1.2 (0.930)	27 <sup>5</sup> / <sub>16</sub> (696)	21 <sup>3</sup> / <sub>16</sub> (538)	10.38 (3.164)	55 (25)

GENERAL NOTES

1. THE COLLAR SHALL BE CONSTRUCTED ENTIRELY OF CLASS SI CONCRETE IN ACCORDANCE WITH THE APPLICABLE PORTIONS OF SECTION 503 OF THE STANDARD SPECIFICATIONS. REINFORCEMENT BARS SHALL CONFORM TO SECTION 508.

QUANTITIES

CALC. BY: R. J. D. 2-2-98  
 DATE:  
 CHECKED BY: R. D. H. 2-6-98  
 DATE:

QUANTITY CALCULATIONS ARE ON FILE AT THE DISTRICT 4 OFFICE; BUREAU OF PROJECT IMPLEMENTATION; DOCUMENTATION SECTION

All dimensions are in inches (millimeters) unless otherwise noted.

01-01-97	RENUM. B-8.03, NEW REVISION BOX, REVISED	T.P.	09-01-00	CORRECT WEIGHT	J.A.
	TITLE BOX, ADDED QUANTITY CALCULATION BOX		10-16-06	REV. TO 2007 SPEC., CORRECT mm UNITS	M.A.
04-01-97	CORRECT BAR	J.A.			
02-10-98	REVISE QUANTITIES	J.A.			

STATE OF ILLINOIS  
 DEPARTMENT OF TRANSPORTATION

PIPE CULVERT EXTENSION COLLAR (WITHOUT END SECTION)

NOT TO SCALE

429

CADD STD. 542016-D4

F.A.P. RTE.	SECTION	COUNTY	TOTAL SHEETS	SHEET NO.
399	36R-8	Tazewell	429	193
FED. ROAD DIST. NO. ILLINOIS FED. AID PROJECT			CONTRACT NO. 68258	