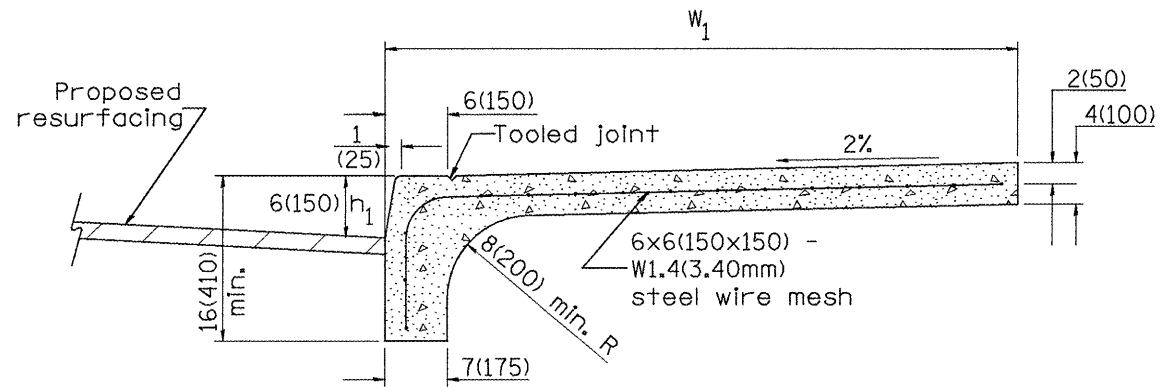
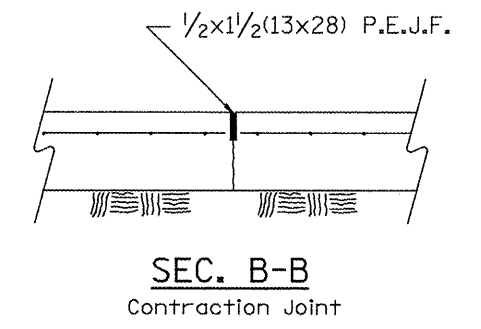
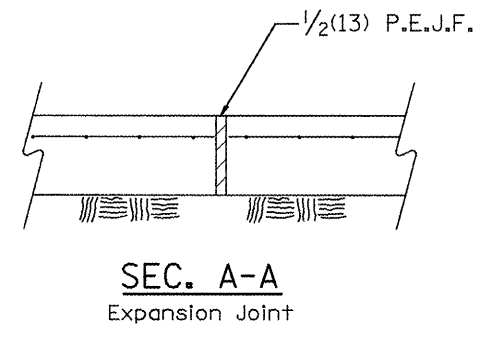
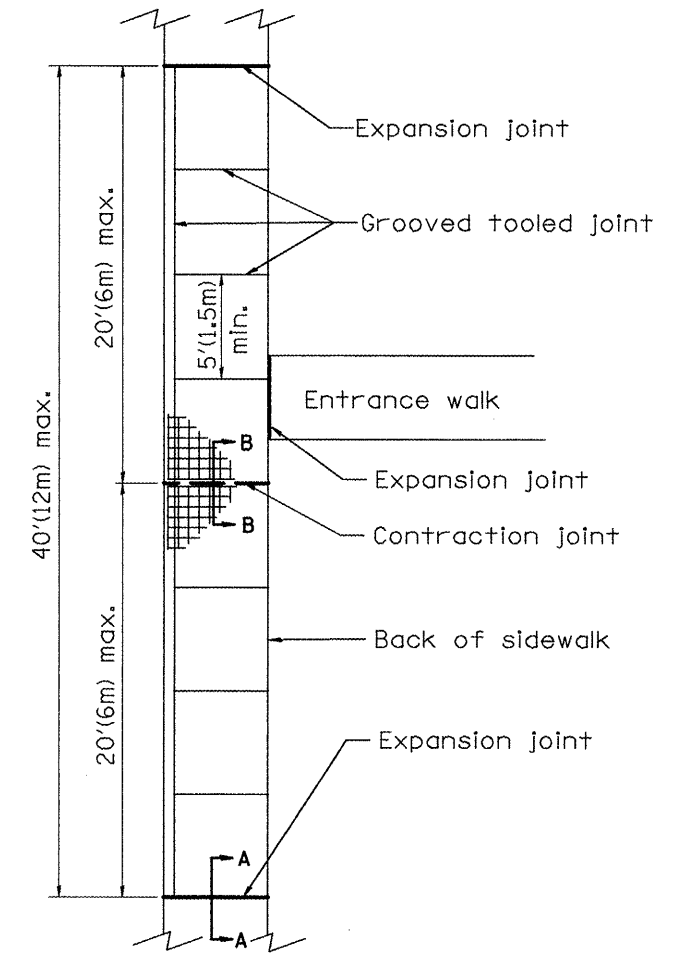


DESIGNER NOTES:
1. THIS DRAWING SHOULD BE USED IN CONJUNCTION WITH STATE STANDARD 424001 AND DISTRICT CADD STD. "CURB RAMPS ACCESSIBLE TO THE DISABLED."



COMBINATION CURB - SIDEWALK 4"(100mm)
Measurement Formula: $(W_1 + h_1) \times \text{length constructed} = \text{Payment area}$
in square meters(square feet)



GENERAL NOTES:

1. All provisions in Section 424 of the Standard Specifications shall apply, unless otherwise shown.

All dimensions are in Inches (millimeters) unless otherwise noted.

01-01-97	RENUM. A-5.02, NEW REVISION BOX	T.P.							
10-16-06	REVISED TO 2007 SPEC.	M.A.							
STATE OF ILLINOIS DEPARTMENT OF TRANSPORTATION					COMBINATION CONCRETE CURB-SIDEWALK 4" (100mm)				
NOT TO SCALE					CADD STD. 424101-D4				
F.A.P. RTE. 399		SECTION 36R-8		COUNTY Tazewell		TOTAL SHEETS 429		SHEET NO. 190	
CONTRACT NO. 68258									
FED. ROAD DIST. NO. [ILLINOIS] FED. AID PROJECT									