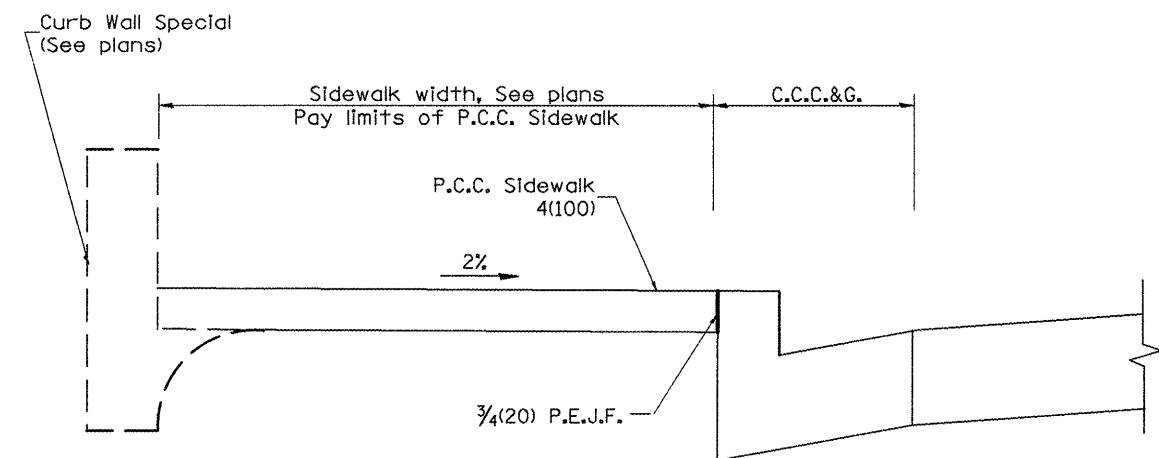
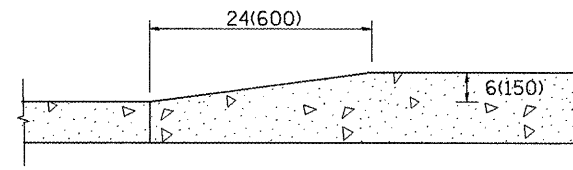


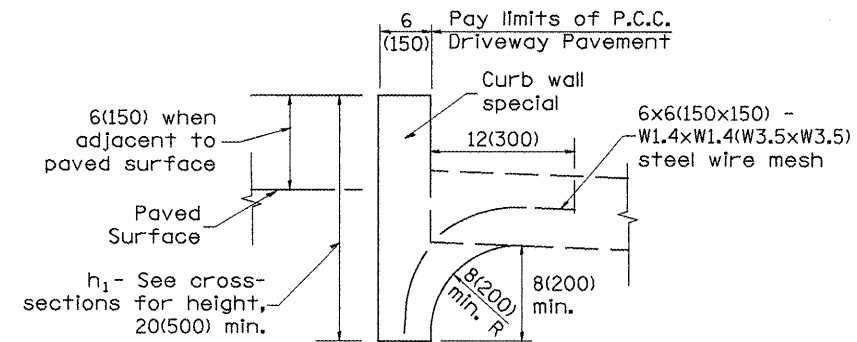
**SECTION A-A**



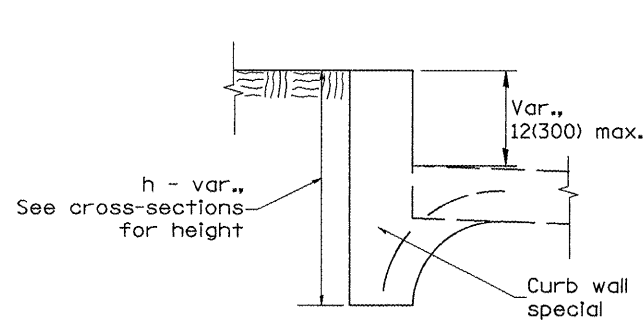
**SECTION B-B**



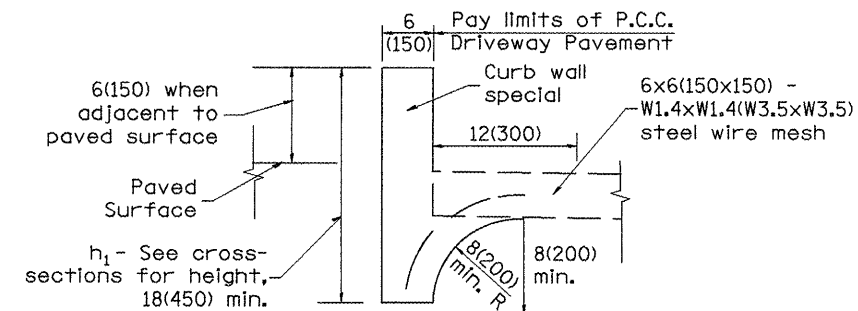
**DETAIL 'A'**  
Curb Height Taper Detail



**SECTION C-C**  
TYPICAL APPLICATION  
BETWEEN DRIVEWAYS



**ALTERNATE TREATMENT  
WITH TURF BORDER**



**SECTION D-D**  
TYPICAL APPLICATION  
BETWEEN DRIVEWAYS

**CURB WALL - SPECIAL**

Measurement formula:  $h_1 \times \text{length constructed} =$   
Payment area in square feet(square meters)

**GENERAL NOTES**

1. The Curb Wall, Special, shall be poured monolithically with the adjacent P.C.C. Driveway Pavement or P.C.C. Sidewalk.
2. All provisions of Sections 424 and 606 of the Standard Specifications shall apply unless otherwise shown.

All dimensions are in inches (millimeters) unless otherwise noted.