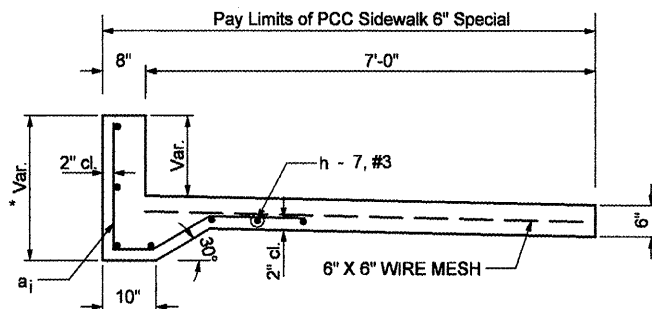
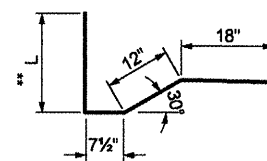


LOCATIONS OF PCC SIDEWALK 6", SPECIAL



SECTION A-A

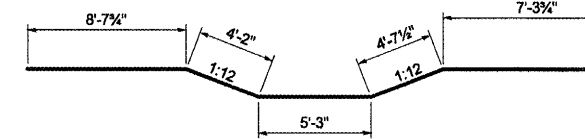
* See panel reinforcement diagram for dimensions



BAR a₁ DETAIL

(NOT TO SCALE)

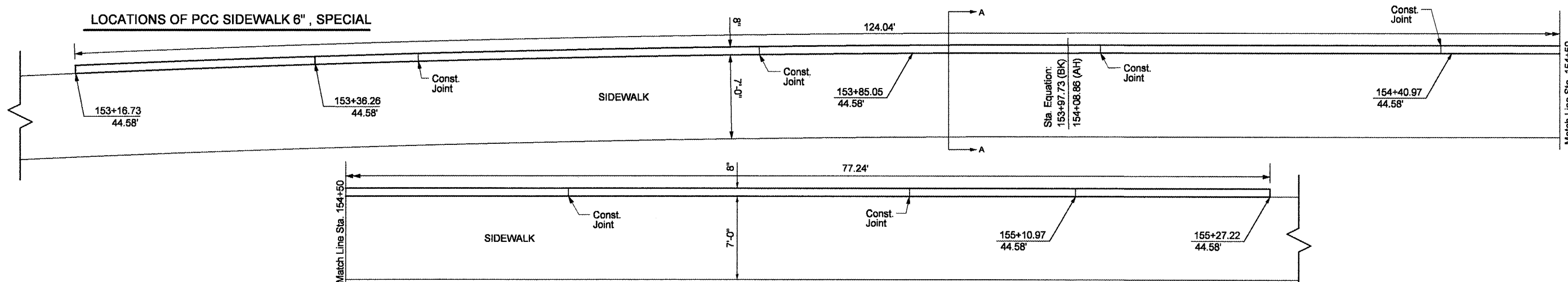
** See panel reinforcement diagram for (L) dimension



BAR h₁ DETAIL

(NOT TO SCALE)

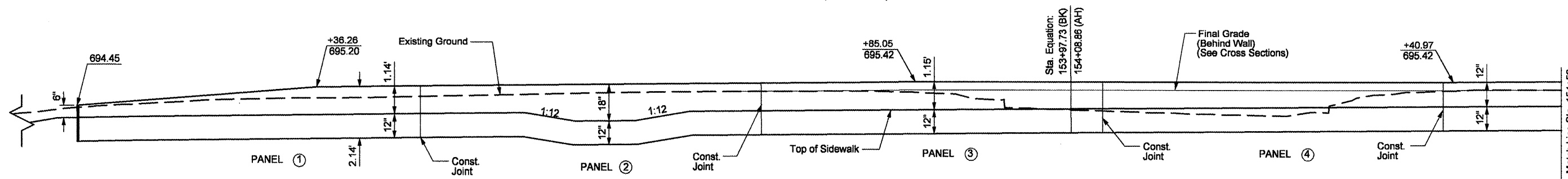
* See panel ② reinforcement diagram



PCC SIDEWALK 6" SPECIAL - (A)

Lt. Sta. 153+16.73 to 155+27.22

(NOT TO SCALE)



ELEVATION

PCC SIDEWALK 6" SPECIAL - (A)

(NOT TO SCALE)

BILL OF MATERIALS
PCC SIDEWALK 6" SPECIAL - (A)
(for information only)

Items	Unit	Qty.
Reinforcement Bars	Pound	972.32
PCC Sidewalk 6", Special	Sq Ft	1,325.00

FILE NAME = Walls Details.dgn	USER NAME = swzsherdh	DESIGNED -	REVISED -
		DRAWN -	REVISED -
		CHECKED -	REVISED -
		DATE -	REVISED -

STATE OF ILLINOIS
DEPARTMENT OF TRANSPORTATION

PCC SIDEWALK 6", SPECIAL - (A)

SCALE: SHEET NO. OF SHEETS STA. TO STA.

F.A.P. RTE. 399	SECTION 36 R-8	COUNTY TAZEWELL	TOTAL SHEETS 429	SHEET NO. 168
CONTRACT NO. 68258				
FED. ROAD DIST. NO. 4 [ILLINOIS] FED. AID PROJECT				