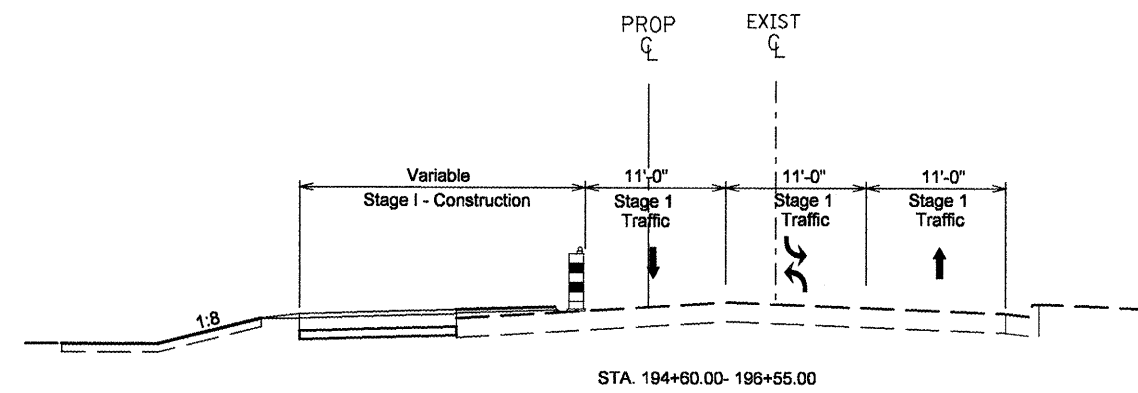
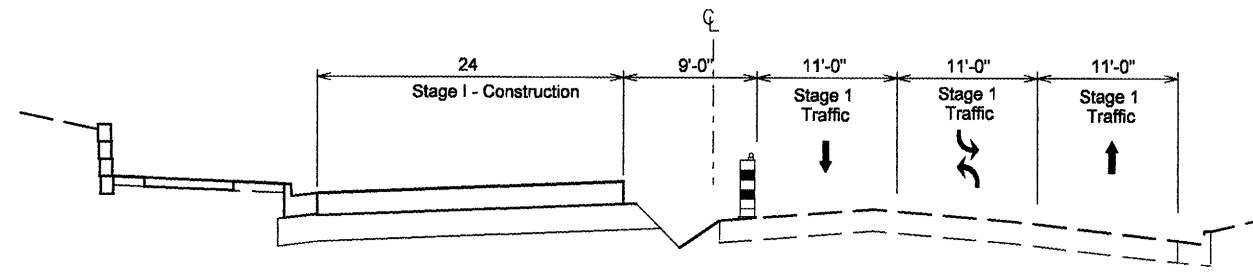
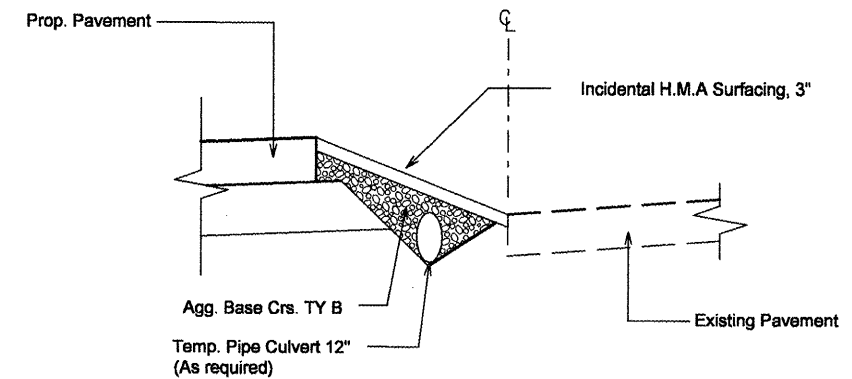


- | | |
|----------------------------|----------------------------|
| STA. 144+80.00 - 146+40.00 | STA. 167+87.00 - 169+27.00 |
| STA. 148+60.00 - 151+00.00 | STA. 170+80.00 - 175+73.00 |
| STA. 152+90.00 - 155+40.00 | STA. 177+33.00 - 179+27.00 |
| STA. 157+60.00 - 159+00.00 | STA. 179+56.00 - 180+75.00 |
| STA. 160+70.00 - 164+00.00 | STA. 181+33.00 - 182+70.00 |
| STA. 164+70.00 - 166+13.00 | STA. 184+52.00 - 190+00.00 |



STAGE I

1. Traffic Control shall be per standard 701602 and as shown on the plans.
2. One lane of Traffic and bidirectional lane shall be maintained at all time as shown on the plans.
3. Construct North Side of IL 8, install North Storm Sewer trunk and portion of Storm Sewer.
4. Construct Temporary Pavement Lt. Sta. 132+25 to 135+50 for Stage II Traffic.
5. Construct Temporary Access to Side Streets.
6. Place Temporary Pavement Marking for Stage II Traffic.
7. Construct Temporary Pavement Lt. Sta. 194+60 to 196+55 for Stage II Traffic.
8. Resurface Lt. Sta. 194+60 to 196+84.93 for Stage II Traffic.



TEMPORARY ACCESS TO SIDE STREETS

FILE NAME = STAGETYP.DGN	USER NAME = crespole	DESIGNED -	REVISED -
		DRAWN -	REVISED -
	PLOT SCALE = 15.0685' / IN.	CHECKED -	REVISED -
	PLOT DATE = 12/11/2008	DATE -	REVISED -

**STATE OF ILLINOIS
DEPARTMENT OF TRANSPORTATION**

STAGE I TYPICAL SECTIONS

SCALE: SHEET NO. OF SHEETS STA. TO STA.

F.A.P. RTE. 399	SECTION 36 R-8	COUNTY TAZEWELL	TOTAL SHEETS 429	SHEET NO. 72
CONTRACT NO. 68258				
FED. ROAD DIST. NO. 4 ILLINOIS FED. AID PROJECT				