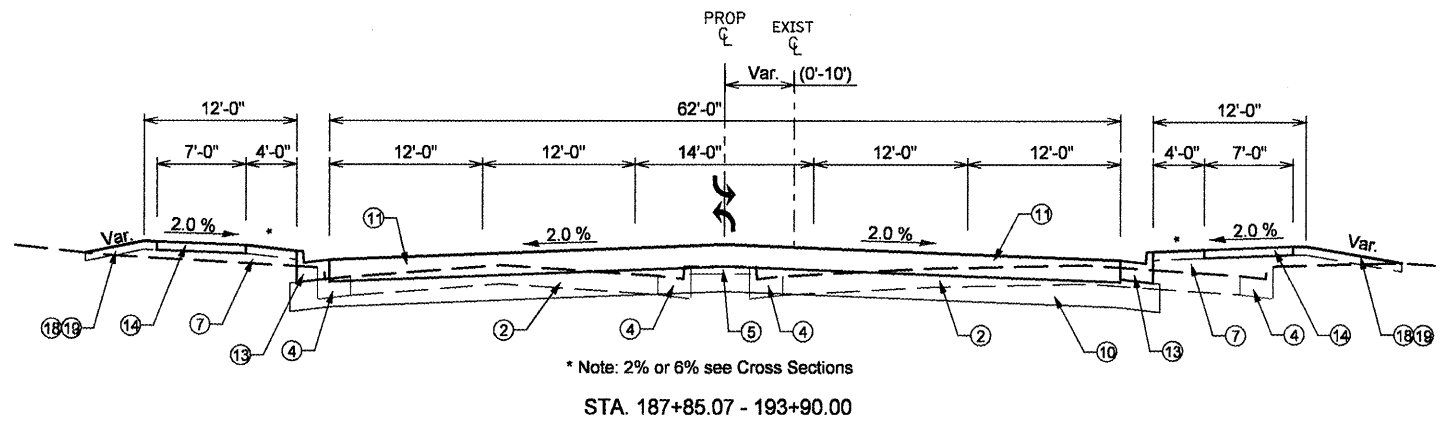
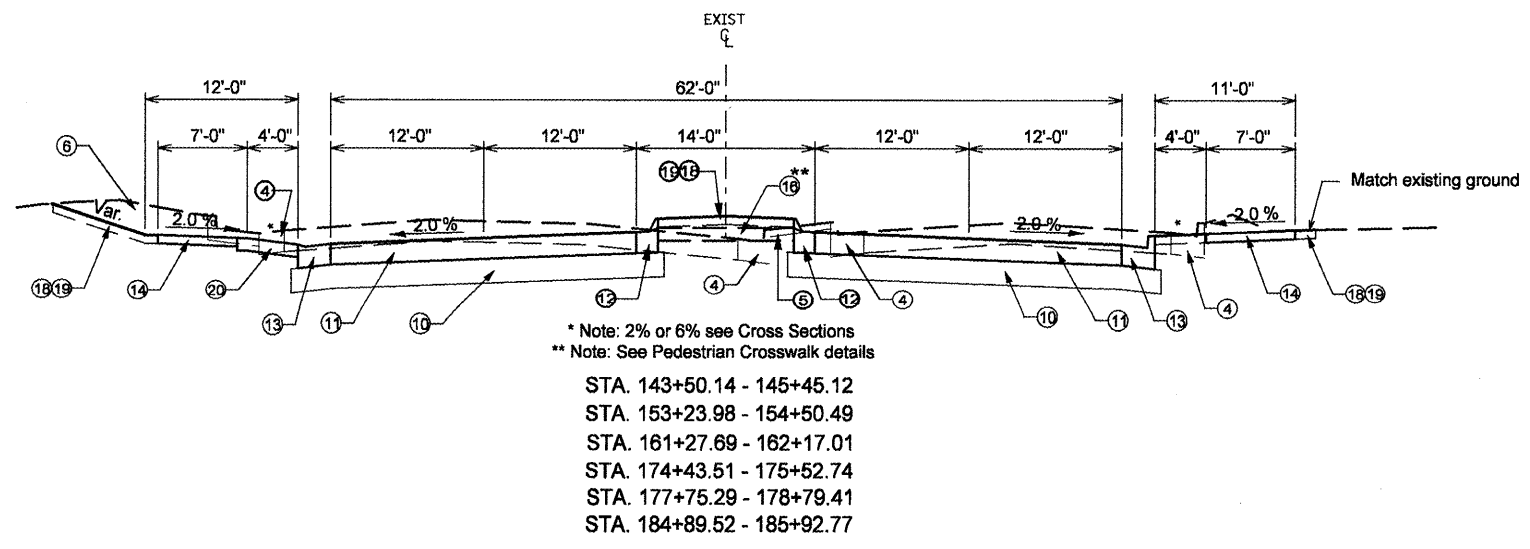
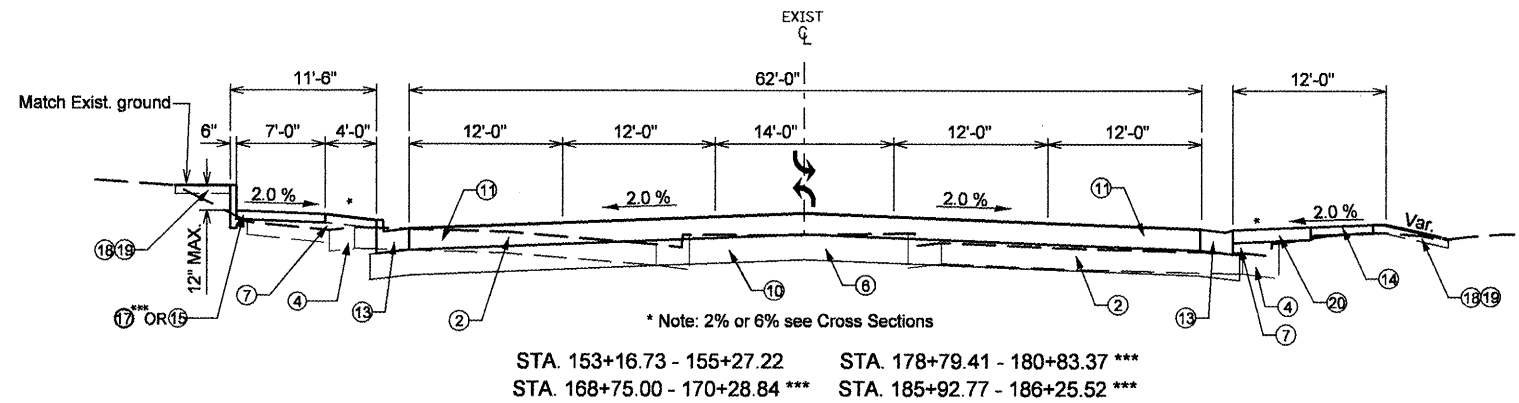


LEGEND:

- ① HOT-MIX ASPHALT SURFACE REMOVAL - VARIABLE DEPTH
- ② PAVEMENT REMOVAL
- ③ PAVED SHOULDER REMOVAL
- ④ COMBINATION CURB AND GUTTER REMOVAL
- ⑤ MEDIAN SURFACE REMOVAL
- ⑥ EXCAVATION
- ⑦ EMBANKMENT
- ⑧ POLYMERIZED LEVELING BINDER (MACHINE METHOD), N50, 3/4"
- ⑨ POLYMERIZED HOT-MIX ASPHALT SURFACE COURSE, MIX "D", N70, 1 1/2"
- ⑩ SUB-BASE GRANULAR MATERIAL, TYPE A 12"
- ⑪ PORTLAND CEMENT CONCRETE PAVEMENT 10" (JOINTED)
- ⑫ COMBINATION CONCRETE CURB AND GUTTER, TYPE B-6.12
- ⑬ COMBINATION CONCRETE CURB AND GUTTER, TYPE B-6.24
- ⑭ PORTLAND CEMENT CONCRETE SIDEWALK 4"
- ⑮ PORTLAND CEMENT CONCRETE SIDEWALK 4", SPECIAL
- ⑯ PORTLAND CEMENT CONCRETE SIDEWALK 6"
- ⑰ PORTLAND CEMENT CONCRETE SIDEWALK 6", SPECIAL
- ⑱ TOPSOIL FURNISH & PLACE, 4"
- ⑲ SODDING SALT TOLERANT OR SEEDING, CLASS 2A
- ⑳ PORTLAND CEMENT CONCRETE DRIVEWAY PAVEMENT 6" OR 8"
- ㉑ TEMPORARY PAVEMENT
- ㉒ AGGREGATE SHOULDER, TYPE B



FILE NAME = typical section.dgn	USER NAME = crespole	DESIGNED -	REVISED -	STATE OF ILLINOIS DEPARTMENT OF TRANSPORTATION	PROPOSED TYPICAL SECTIONS				F.A.P. RTE. 399	SECTION 36 R-8	COUNTY TAZEWELL	TOTAL SHEETS 429	SHEET NO. 34
	PLOT SCALE = 15.8685' / IN.	CHECKED -	REVISED -		SCALE:	SHEET NO.	OF	SHEETS	STA.	TO STA.	CONTRACT NO. 68258		
	PLOT DATE = 12/22/2008	DATE -	REVISED -		FED. ROAD DIST. NO. 4 [ILLINOIS] FED. AID PROJECT								