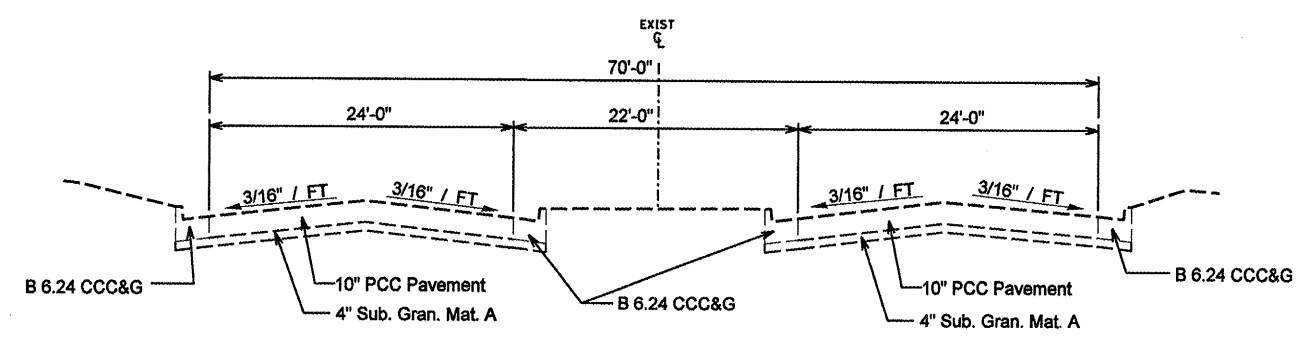
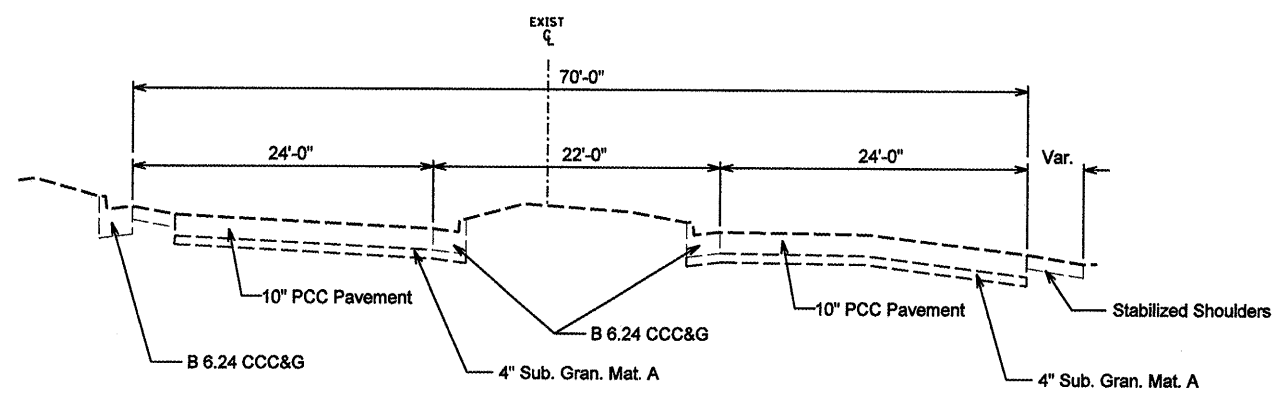


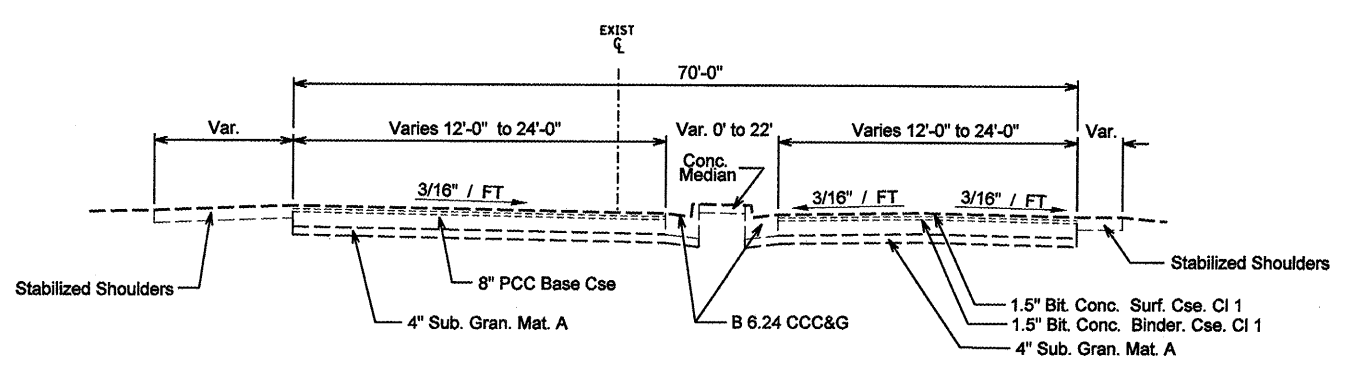
STA. 132+00 - 135+50



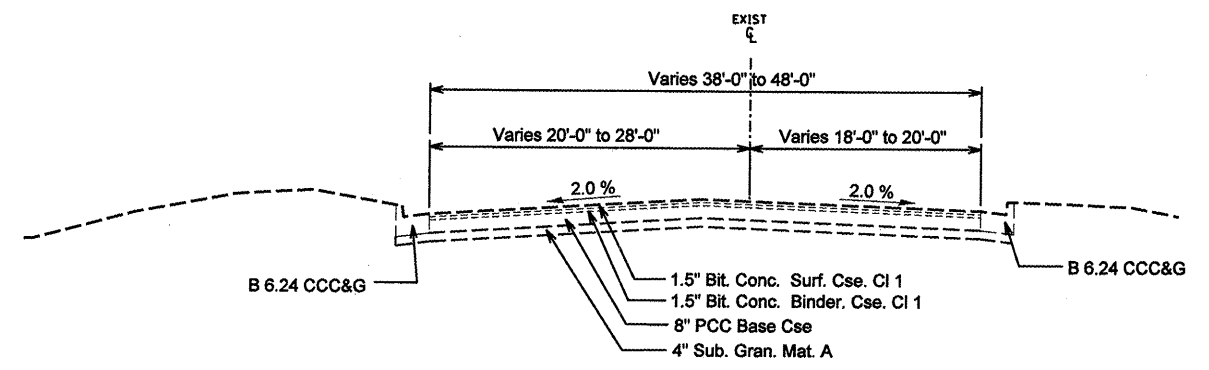
STA. 154+12.30 - 194+00



SUPER ELEVATION FROM STA. 141+87.92 - 154+12.30



STA. 135+50 - 141+87.92



STA. 194+00 - 197+00

FILE NAME = typical section.dgn	USER NAME = crespole	DESIGNED -	REVISED -	STATE OF ILLINOIS DEPARTMENT OF TRANSPORTATION	EXISTING TYPICAL SECTIONS			F.A.P. RTE.	SECTION	COUNTY	TOTAL SHEETS	SHEET NO.			
	PLOT SCALE = 15.0000' / IN.	DRAWN -	REVISED -		SCALE:	SHEET NO.	OF	SHEETS	STA.	TO STA.	399	36 R-8	TAZEWELL	429	32
	PLOT DATE = 12/11/2008	CHECKED -	REVISED -									CONTRACT NO. 68258			
		DATE -	REVISED -									FED. ROAD DIST. NO. 4 ILLINOIS FED. AID PROJECT			