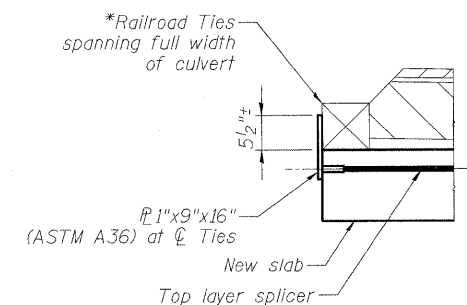
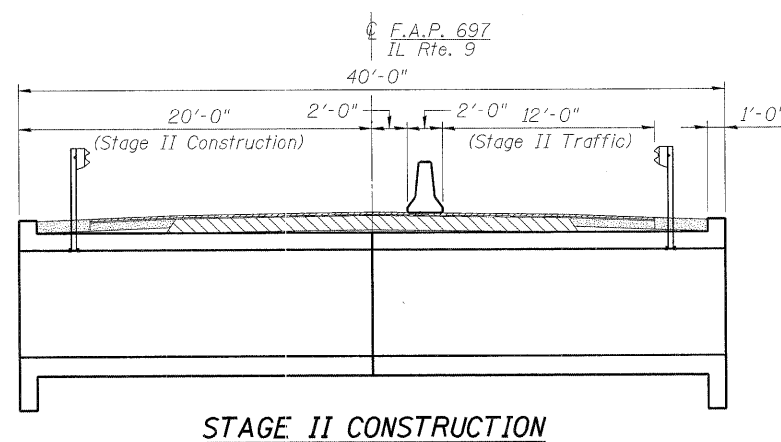
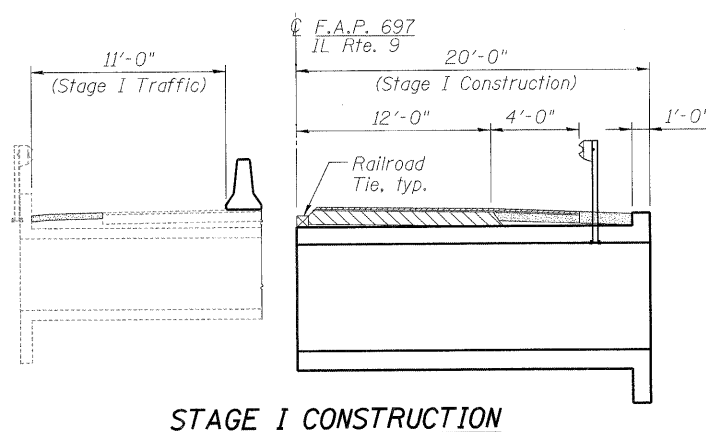
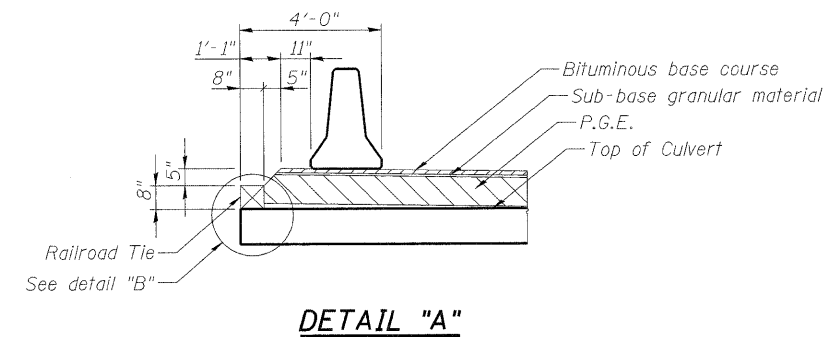
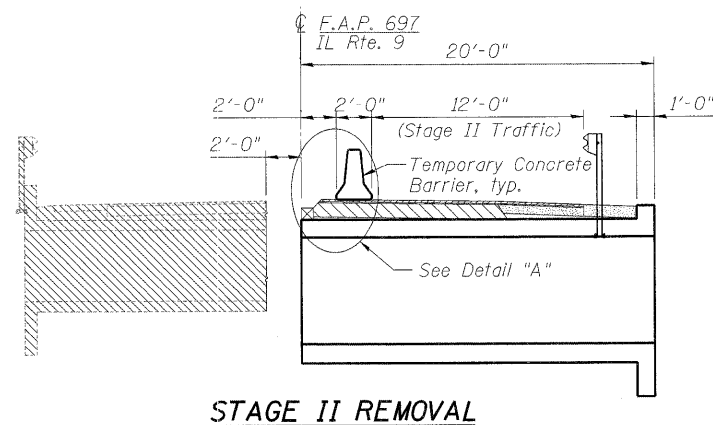
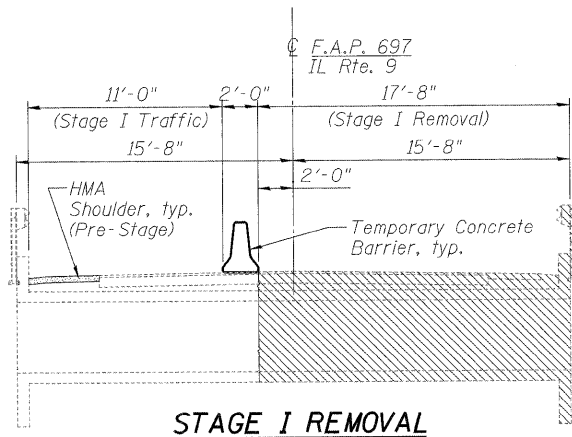
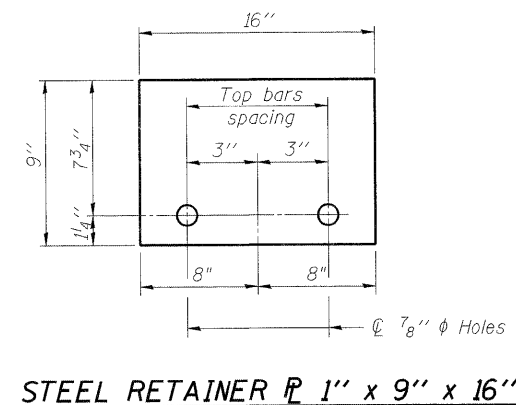
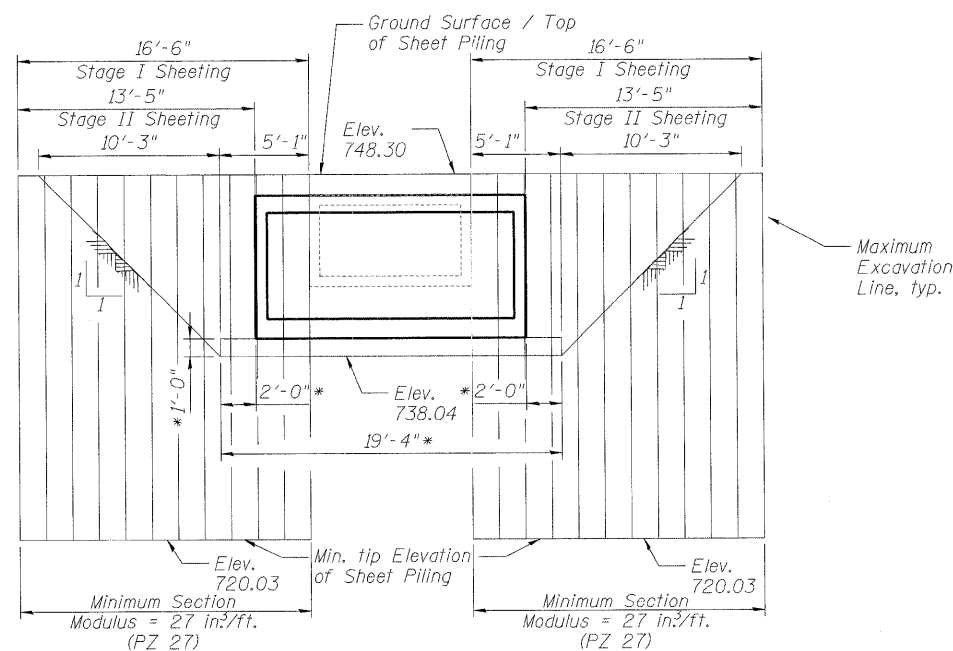


STATE OF ILLINOIS  
DEPARTMENT OF TRANSPORTATION



\*Cost included with "Concrete Box Culverts"

\* Limits of Removal and Disposal of Unsuitable Material, See Note 3 on Sheet S1 of S5, typ.



- Notes:
- All staging cross sections are looking East.
  - Hatched area indicates removal of existing structures.
  - Cost of temporary concrete barrier will be included in the pay item for "Traffic Control and Protection, Standard 701321".

**STAGE CONSTRUCTION**  
**ILLINOIS ROUTE 9 OVER DRAINAGE DITCH**  
**F.A.P. ROUTE 697 - SECTION 17(I)**  
**FORD COUNTY**  
**STATION 50+55.00**  
**SN 027-2552**

Scale: None December 2008

DESIGNED	- GBC/GMK
CHECKED	- GBC/GMK/SMK
DRAWN	- RR
CHECKED	- GBC/GMK/SMK



SHEET NO. S2	F.A.P. RTE. 697	SECTION 17(I)	COUNTY FORD	TOTAL SHEETS 29	SHEET NO. 18
S5 SHEETS	CONTRACT NO. 66874				
FED. ROAD DIST. NO.		ILLINOIS FED. AID PROJECT			