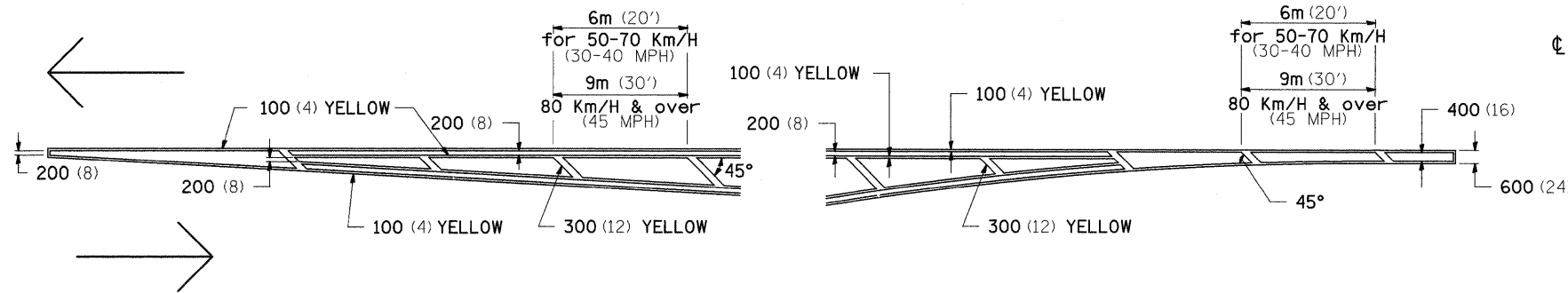
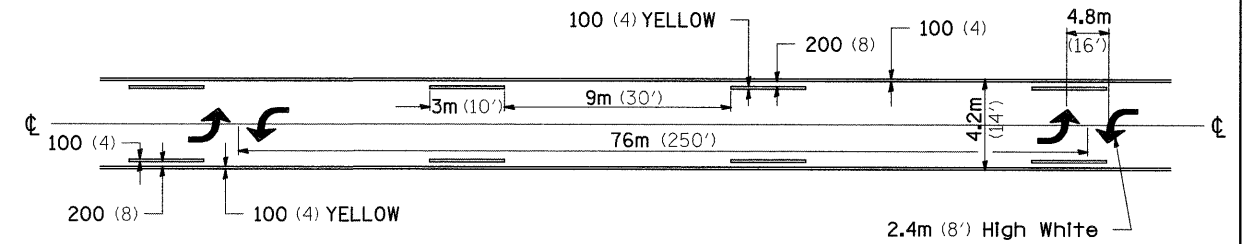


TYPICAL PAVEMENT MARKINGS

TYPICAL PAVEMENT MARKING FOR FLUSH MEDIAN AT LEFT TURN LANE

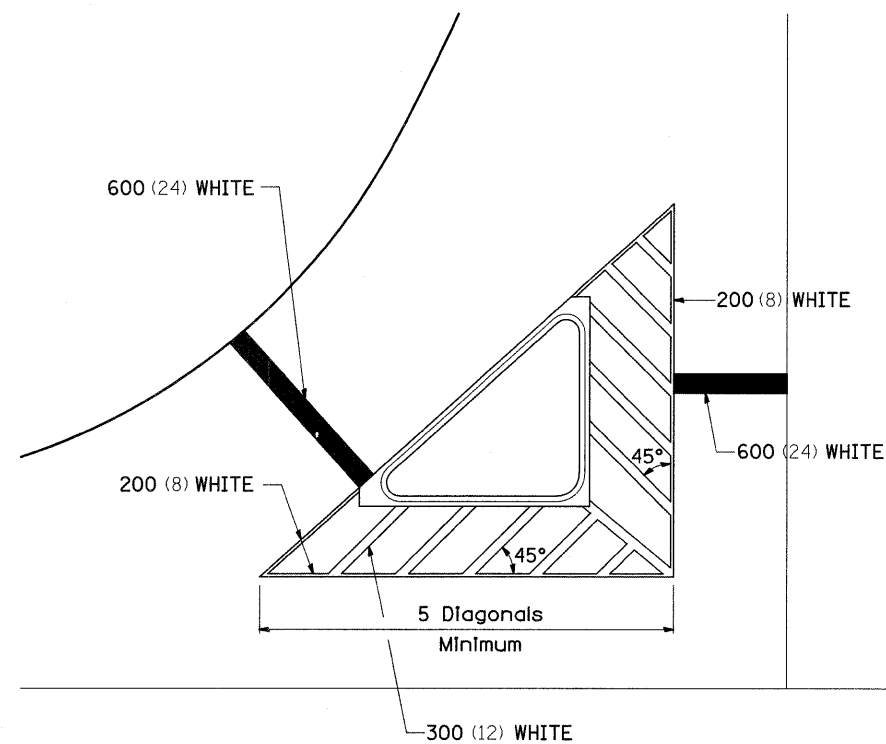


MEDIAN PAVEMENT MARKING

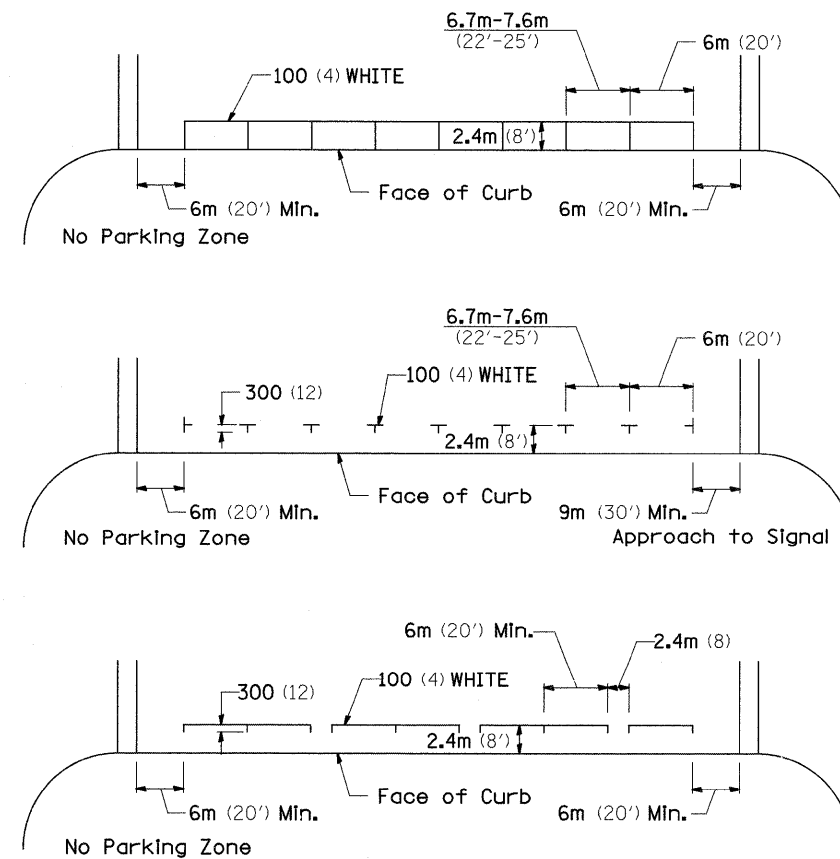


** ALL DIMENSIONS ARE IN MILLIMETERS (INCHES) UNLESS OTHERWISE NOTED.

TYPICAL ISLAND OFFSET SHOULDER WIDTH

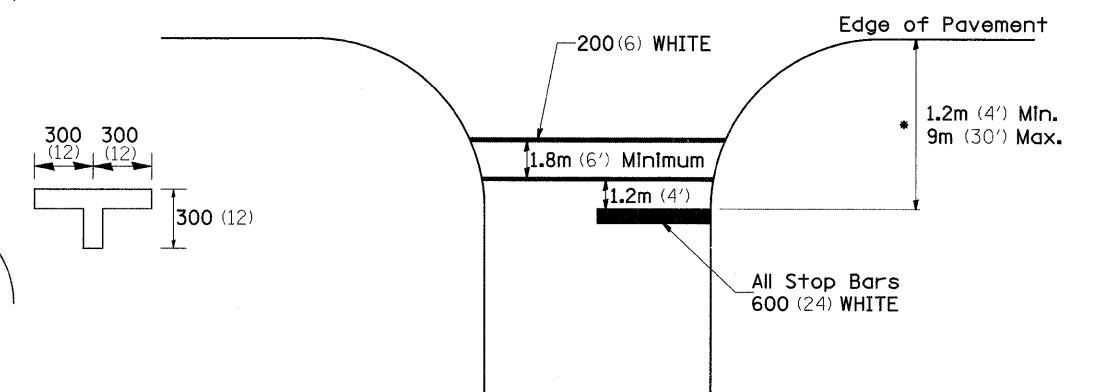


TYPICAL PARKING SPACING



STANDARD CROSSWALK MARKING

See Schedules for Locations



* Distance to the nearest edge of the intersecting roadway in the absence of a marked crosswalk.

| | | | | | | | | | | |
|---|----------------------|------------|---|---|---------------------------------------|-------------|---------|--------|--------------|-----------|
| FILE NAME = | USER NAME = hensonke | DESIGNED - | REVISED - 10-21-08 | STATE OF ILLINOIS DEPARTMENT OF TRANSPORTATION | REGION 2 / DISTRICT 2 STANDARD | F.A.P. RTE. | SECTION | COUNTY | TOTAL SHEETS | SHEET NO. |
| ct:\pw_work\FWIDOT\HENSONKE\dms34455\d1506spl.dgn | DRAWN - | REVISED - | 611 | | | 103T-2 | HENRY | 35 | 26 | |
| PLOT SCALE = 600.0012 in / IN. | CHECKED - | REVISED - | CONTRACT NO. 64C66 | | | | | | | |
| PLOT DATE = Tue Dec 02 13:57:26 2008 | DATE - | REVISED - | FED. ROAD DIST. NO. ILLINOIS FED. AID PROJECT | | | | | | | |