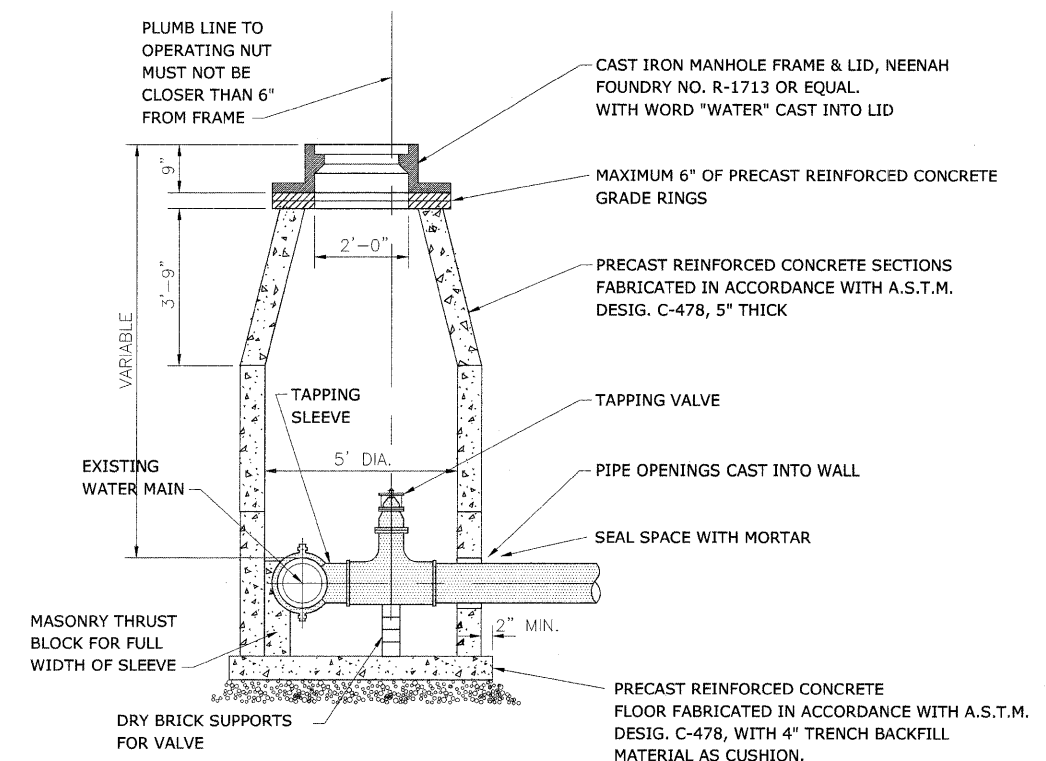


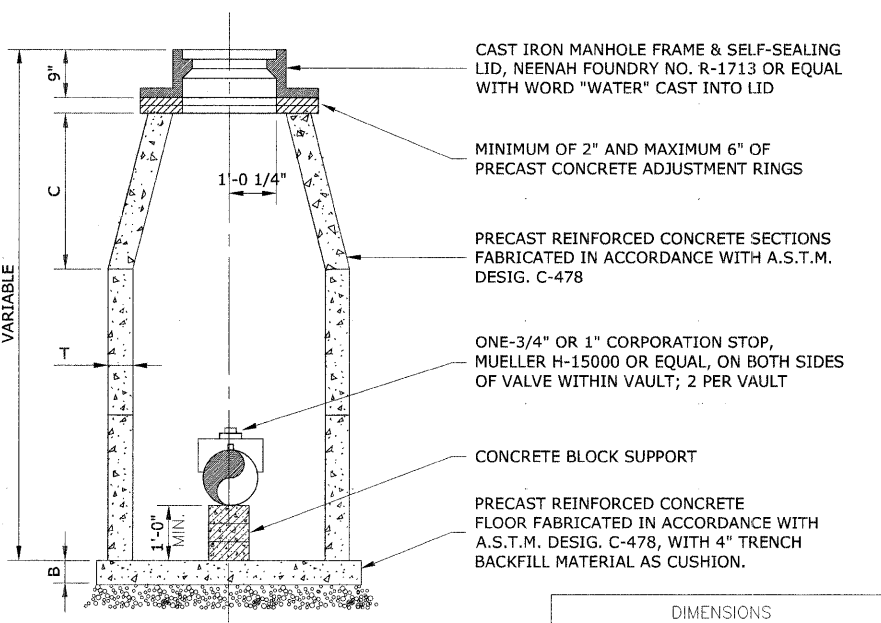
**NOTE:**

1. THRUST BLOCKS TO BE USED AT 1/16(22-1/2°) OR GREATER BENDS & AT ALL ENDS TO BE PLUGGED.
2. PRECAST CONCRETE THRUST BLOCKS TO BE PLACED AGAINST FIRM, UNDISTURBED SOIL.

**THRUST BLOCK DETAIL**

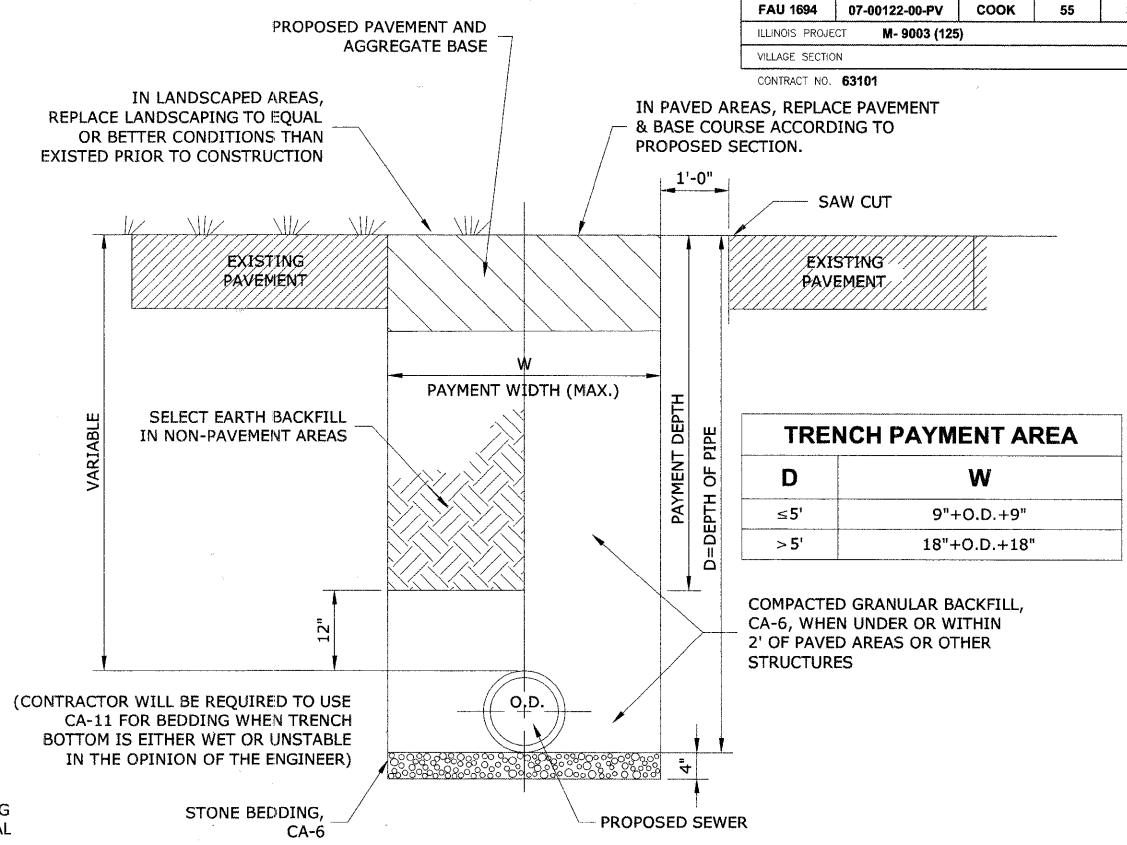


**PRESSURE CONNECTION VAULT DETAIL**

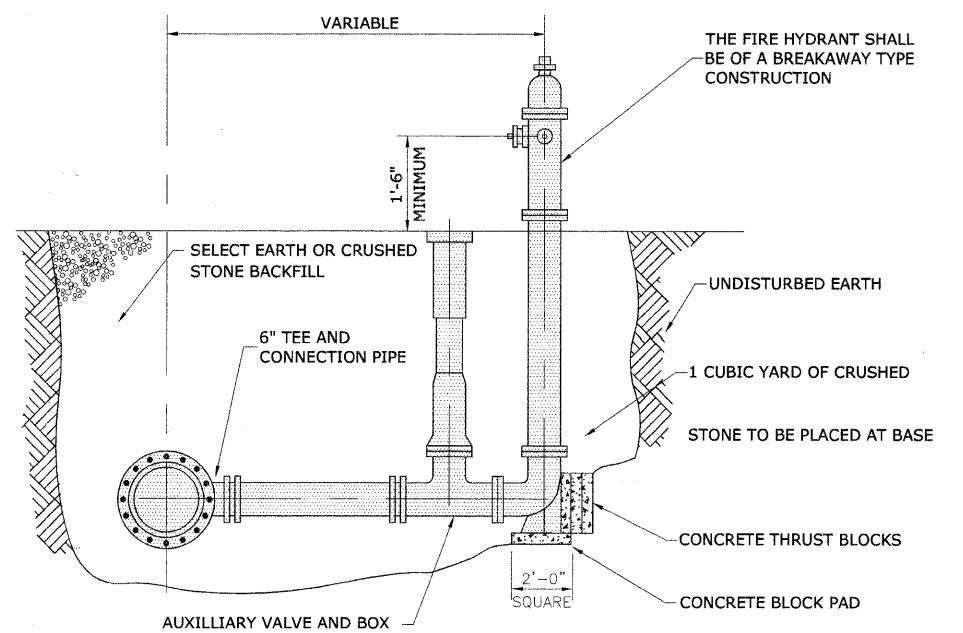


**STANDARD VALVE VAULT DETAIL**

DIMENSIONS			
D	C	T(MIN.)	B
4'-0"	2'-6"	4"	6"
5'-0"	3'-9"	5"	8"



**TYPICAL WATER MAIN TRENCH DETAIL**



**FIRE HYDRANT DETAIL**

**HANCOCK ENGINEERING** ♦ Civil Engineers ♦ Municipal Consultants ♦ Established 1911

9933 Riverdale Road  
Winchester, Illinois 60154-4700  
Phone: 708-365-6300  
Fax: 708-365-1212

**BROOKFIELD GRAND BOULEVARD IMPROVEMENTS DRAINAGE AND UTILITIES DETAILS**

REVISION:

SCALE: NOT TO SCALE

DRAWN BY: LEV/ECW/MK  
CHECKED BY: JCG  
DATE: 01-09-09