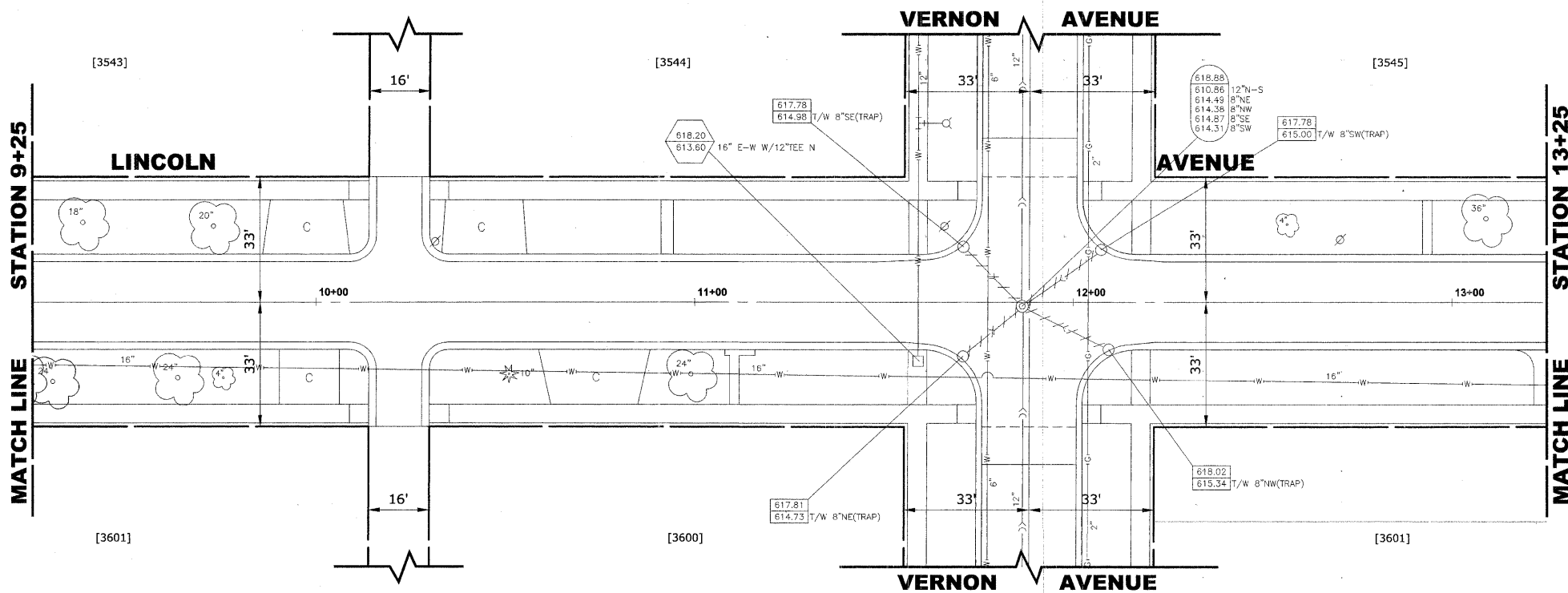
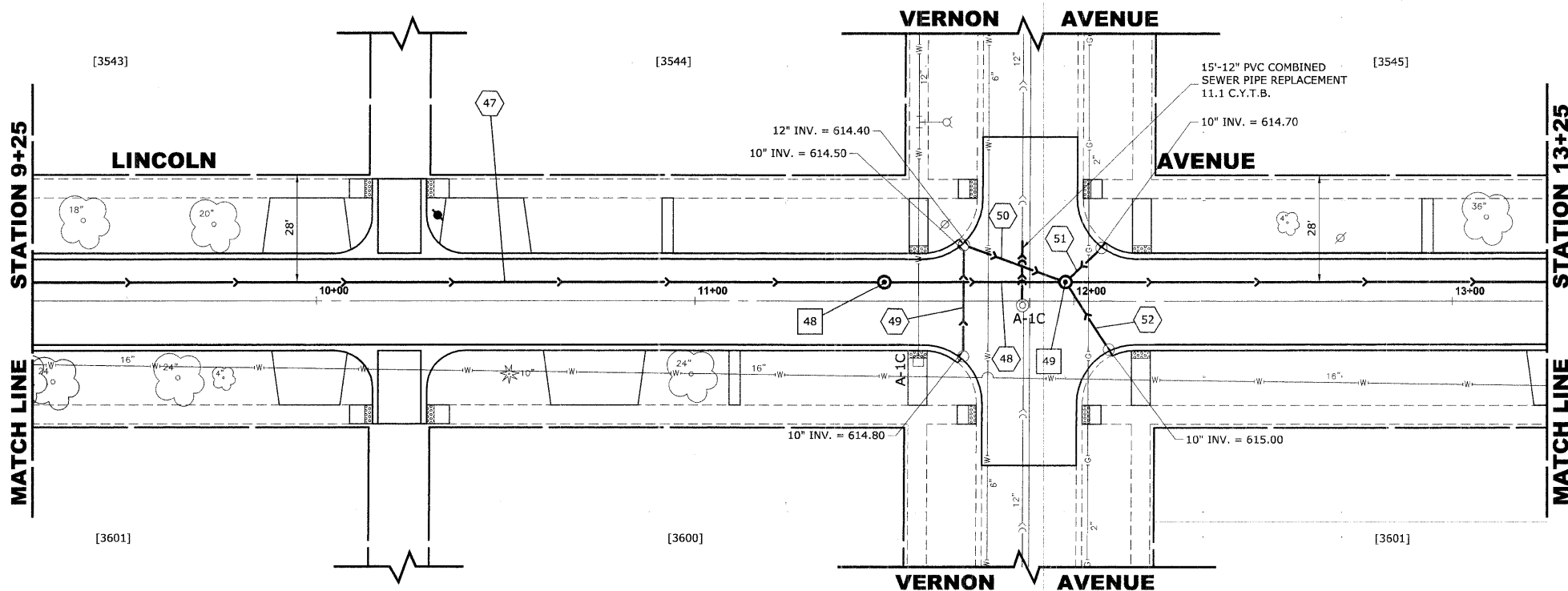


ROUTE NO.	SECTION	COUNTY	TOTAL SHEETS	SHEET NO.
FAU 1694	07-00122-00-PV	COOK	55	30
ILLINOIS PROJECT M-9003 (125)				
VILLAGE SECTION				
CONTRACT NO. 63101				

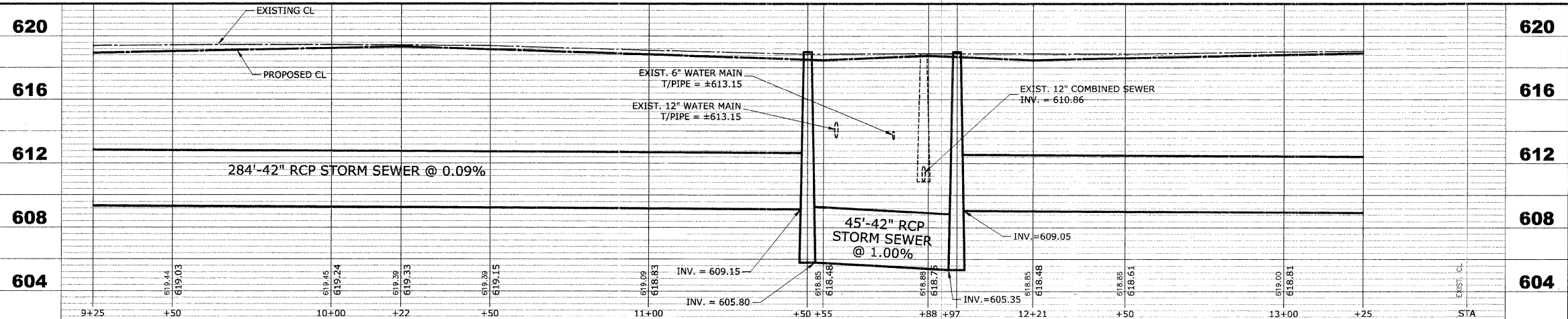


STRUC. NO.	STA	OFFSET	TYPE	RIM ELEV.	INVERT ELEV.
48	11+50	5' LT	R.D. STORM SEWER MANHOLE, 5' DIA., TYPE 1 FRAME, CLOSED LID	618.35	609.15 W 605.80 E
49	11+97	5' LT	R.D. STORM SEWER MANHOLE, 5' DIA., TYPE 1 FRAME, CLOSED LID	618.55	614.60 SE 614.40 NE 609.05 E 605.35 W

EXISTING TOPOGRAPHY



PIPE NO	LENGTH	DIA.	TYPE	SLOPE	C.Y.T.B.
47	284'	42"	SS, TY-2, RCCP, CL-III	0.09%	474.8
48	45'	42"	SS, TY-2, RCCP, CL-III	1.00%	116.8
49	30'	10"	SS, PVC, SDR 26	1.00%	0.1
50	25'	12"	SS, PVC, SDR 26	1.00%	1.5
51	12'	10"	SS, PVC, SDR 26	1.25%	0.6
52	20'	10"	SS, PVC, SDR 26	1.00%	0.7



PROPOSED IMPROVEMENTS

HANCOCK ENGINEERING ♦ Civil Engineers ♦ Municipal Consultants ♦ Established 1911

**BROOKFIELD
GRAND BOULEVARD IMPROVEMENTS
LINCOLN AVENUE
UTILITIES PLAN AND PROFILE**

REVISION:	

DRAWN BY: LEV/ECW/MK
CHECKED BY: JCG
DATE: 01-09-09

SCALE: 1"=20'H. & 1"=4'V.
E.H.E. PROJECT NO.: 125-08-13501

Drawing file: W:\Projects\12508135 - Grand Blvd Grant to Veterans\Grand Blvd\Grand Blvd.dwg Jan 09, 2009 - 10:52am