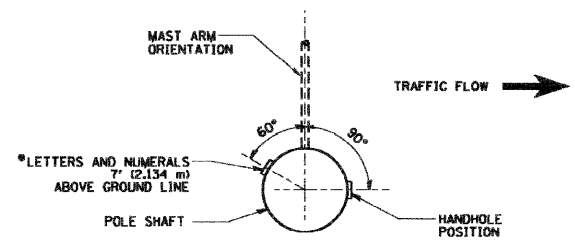
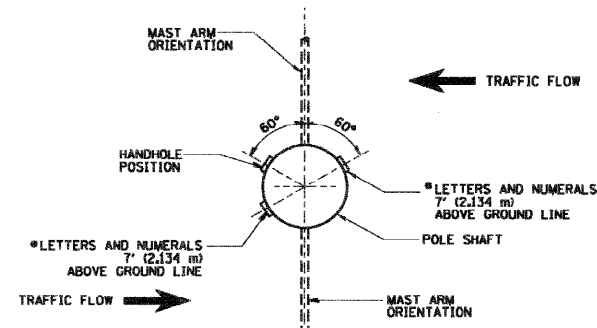


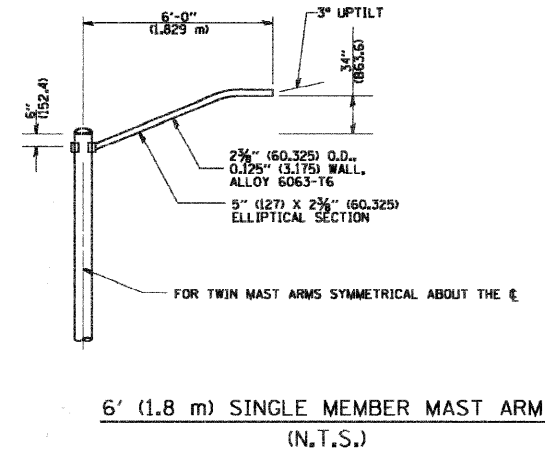
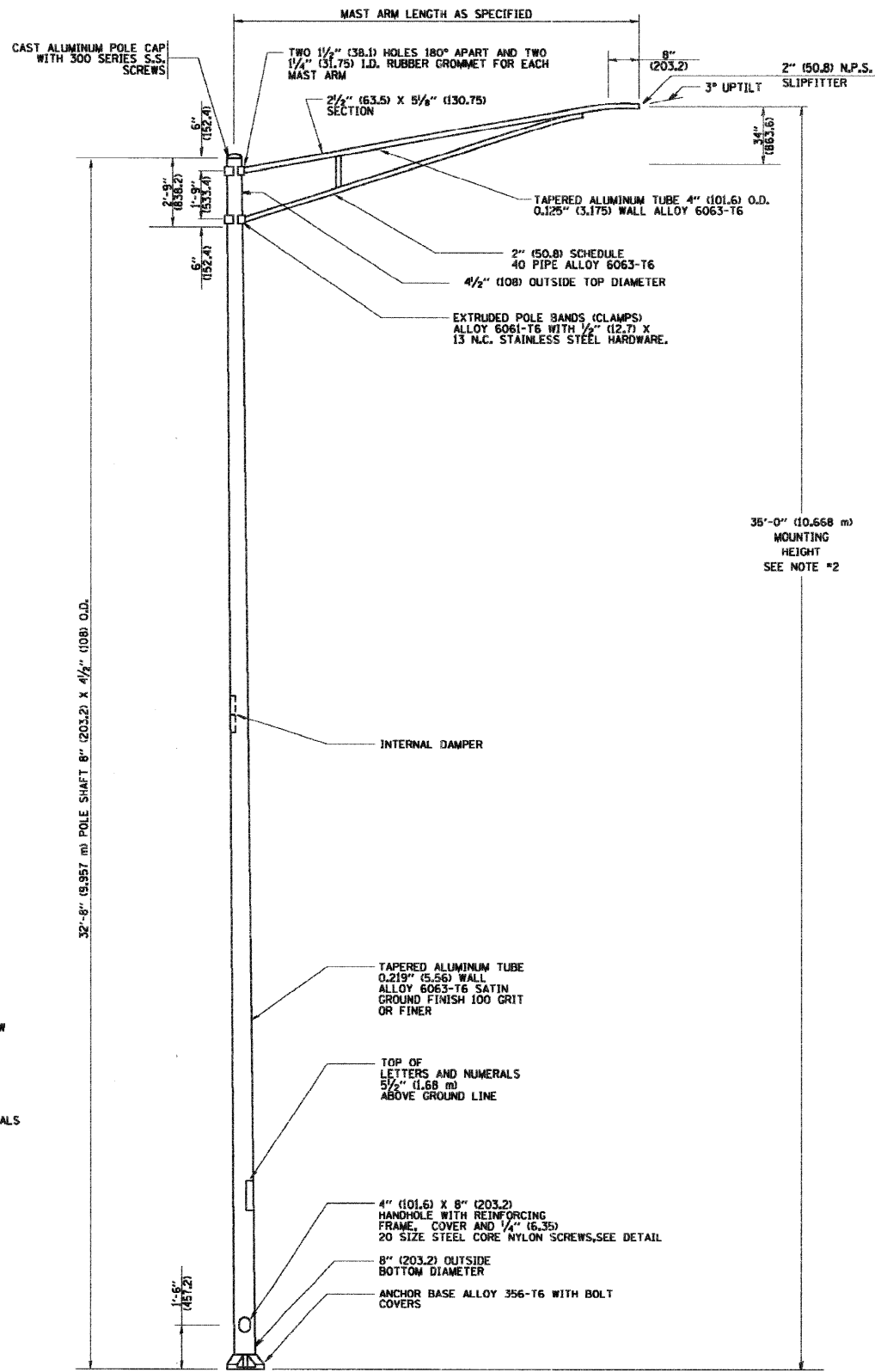
POSITION OF HANDHOLE AND POLE NUMBER FOR SINGLE MAST ARM POLES MOUNTED ON BRIDGE PARAPET OR BARRIER WALL



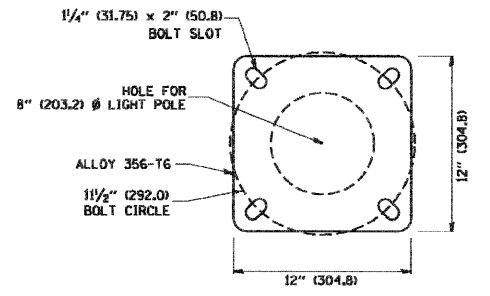
POSITION OF HANDHOLE AND POLE NUMBER FOR SINGLE MAST ARM POLES



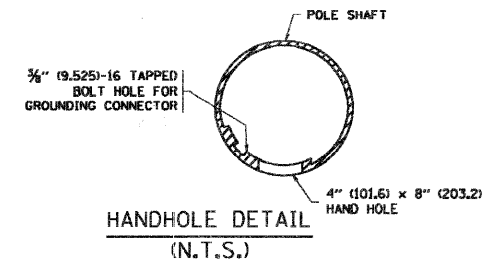
POSITION OF HANDHOLE AND POLE NUMBER FOR TWIN MAST ARM POLES



- NOTES:
1. ALL DIMENSIONS ARE IN INCHES (MILLIMETERS) UNLESS OTHERWISE SHOWN.
 2. MOUNTING HEIGHT IS DEFINED AS THE DISTANCE FROM THE CENTERLINE OF THE TENON TO THE BOTTOM OF THE ANCHOR BASE.
 3. THE LIGHT POLE WILL MEET AASHTO DESIGN CRITERIA AS SPECIFIED.
 4. THE INSTALLING CONTRACTOR WILL PROVIDE A UL LISTED GROUNDING CONNECTOR, BURNDY K2C23, T&B SP4DL OR APPROVED EQUAL.
 5. LIGHT POLES WILL NOT BE INSTALLED WITHOUT MAST ARMS AND LUMINAIRES.
 6. LIGHT POLES WILL BE SET PLUMB ON THE FOUNDATION WITHOUT THE USE OF LEVELING NUTS, WASHERS OR SHIMS.
 7. LIGHTING UNIT IDENTIFICATION NUMBERS SHALL BE INSTALLED BEFORE THE LIGHTING UNIT IS ENERGIZED.



LIGHT POLE BASE PLATE DETAIL
1 1/2" (292.0) BOLT CIRCLE



HANDHOLE DETAIL
(N.T.S.)

FILE NAME = M:\distatd\22x34\ba402.dgn	USER NAME = geglunobt	DESIGNED - DRAWN -	REVISD - R. TOMSONS 09-06-00 REVISD - R. TOMSONS 09-02-03	STATE OF ILLINOIS DEPARTMENT OF TRANSPORTATION	ALUMINUM LIGHT POLE 35'-0" (10.668 m) MOUNTING HEIGHT		F.A. RTE. * 348	SECTION 07-00102-00-LT	COUNTY COOK	TOTAL SHEETS 23	SHEET NO. 18
PLOT SCALE = 5/8" @ 1" IN.	PLOT DATE = 1/4/2008	CHECKED - DATE -	REVISD - REVISD -		SCALE: NONE	SHEET NO. 1 OF 1 SHEETS	STA. TO STA.	BE-402		CONTRACT NO.	
							FED. ROAD DIST. NO. 1 ILLINOIS FED. AID PROJECT				