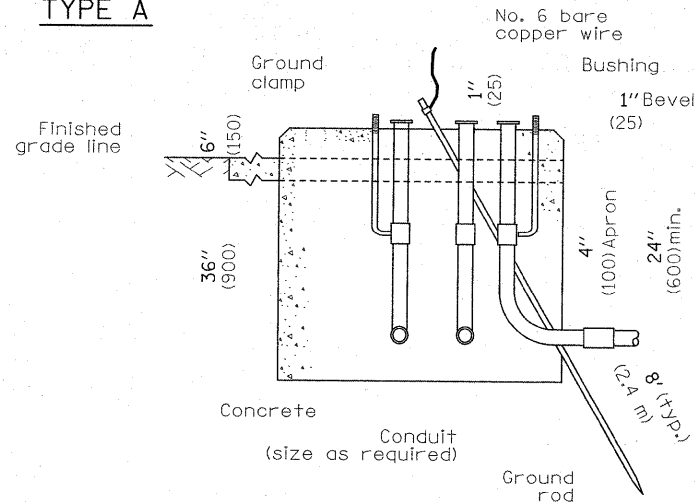
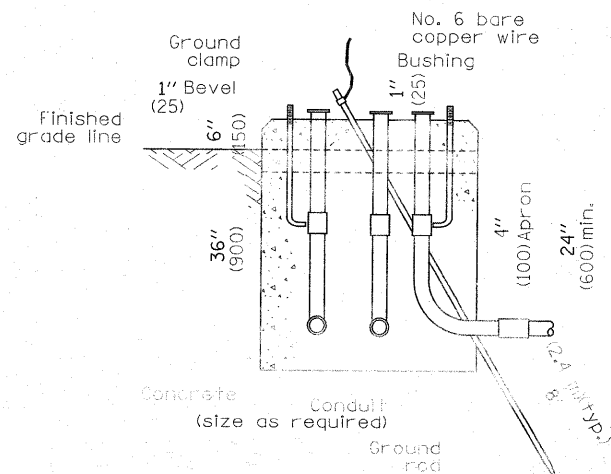


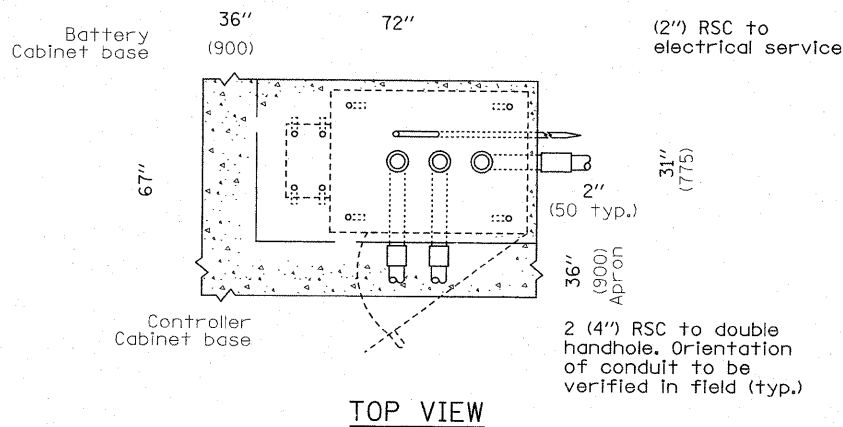
**TYPE A**



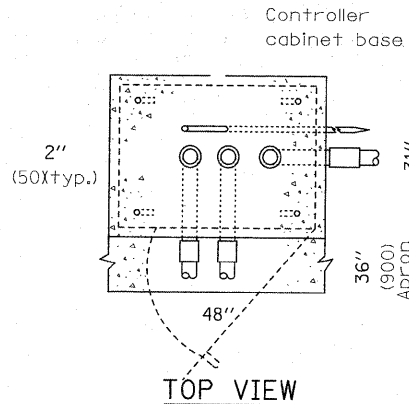
**TYPE C  
FOR GROUND MOUNTED  
CONTROLLER CABINET  
AND UPS BATTERY CABINET**



**TYPE D  
FOR GROUND MOUNTED  
CONTROLLER CABINET**

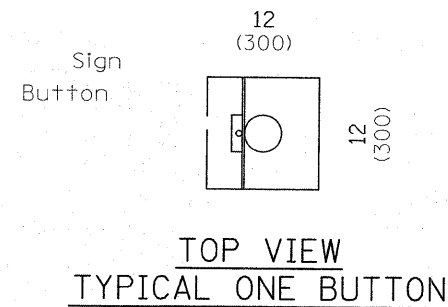


**TOP VIEW**

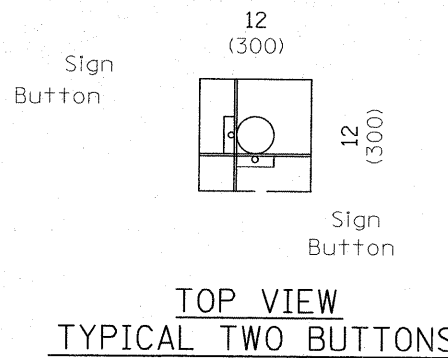


**TOP VIEW**

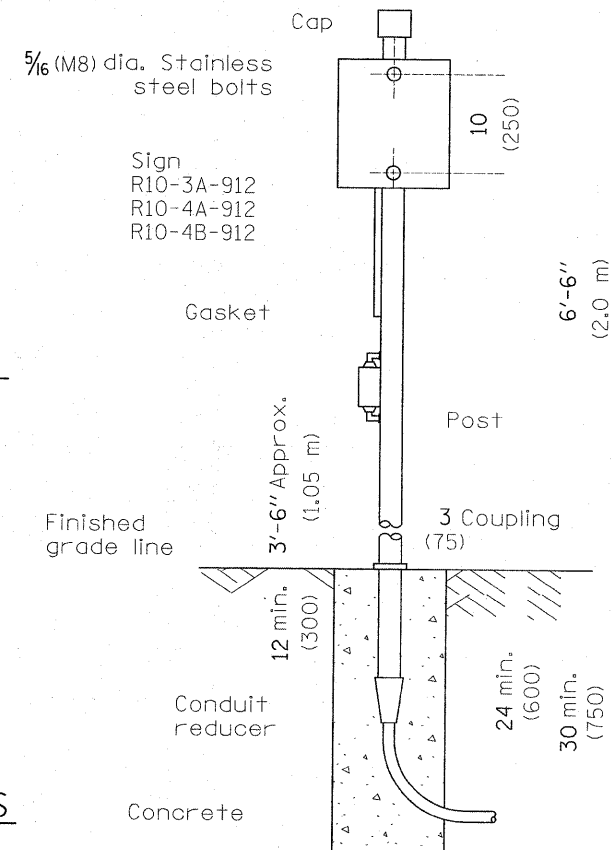
All dimensions are in millimeters (inches) unless otherwise shown.



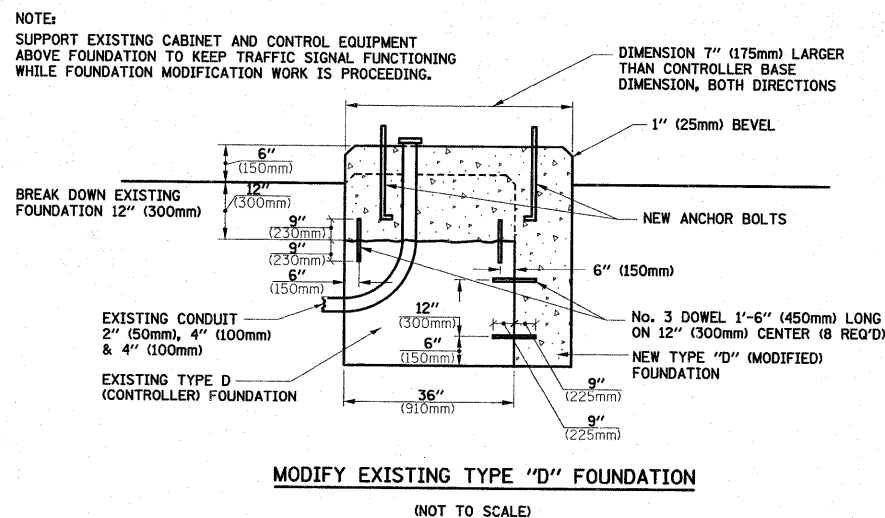
**TOP VIEW  
TYPICAL ONE BUTTON**



**TOP VIEW  
TYPICAL TWO BUTTONS**

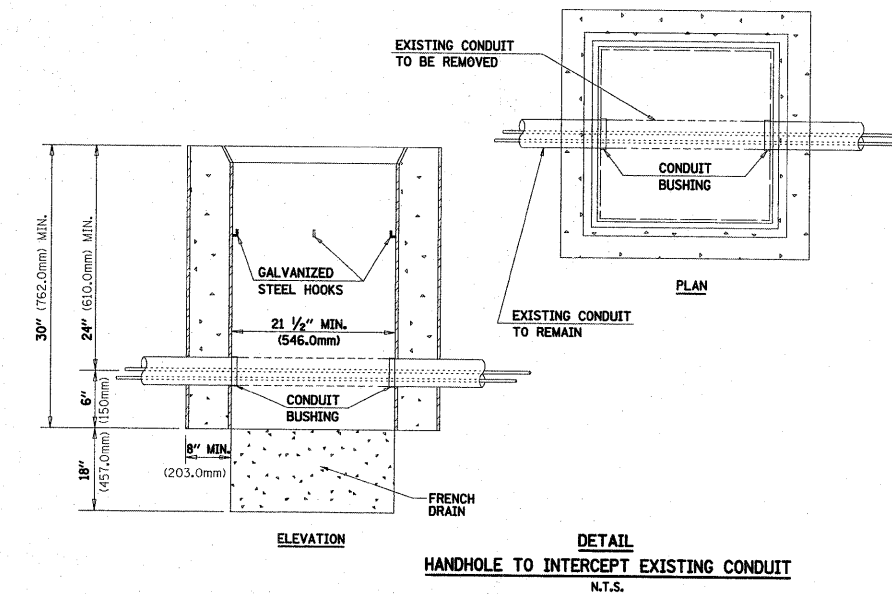


**PEDESTRIAN PUSH BUTTON POST**



**MODIFY EXISTING TYPE "D" FOUNDATION  
(NOT TO SCALE)**

**NOTES:**  
1. REMOVAL OF EXISTING CONDUIT FROM THE HANDHOLE AND THE INSTALLATION OF THE CONDUIT BUSHING SHALL BE INCIDENTAL TO THE HANDHOLE.



**DETAIL  
HANDHOLE TO INTERCEPT EXISTING CONDUIT  
N.T.S.**

FILE NAME =	USER NAME = kmthophsxaybc	DESIGNED =	REVISED =
c:\pwwork\pvidot\kenthophsxaybc\dms92341	061A02.DGN	DRAWN =	REVISED =
	PLOT SCALE = 3/8" = 1' IN.	CHECKED =	REVISED =
	PLOT DATE = 07/17/2008	DATE =	REVISED =

**STATE OF ILLINOIS  
DEPARTMENT OF TRANSPORTATION**

**DISTRICT 1  
STANDARD TRAFFIC SIGNAL DESIGN DETAILS**

SCALE: SHEET NO. OF SHEETS STA. TO STA.

F.A.U. RTE.	SECTION	COUNTY	TOTAL SHEETS	SHEET NO.
1453	2008-079 TS	COOK	32	5
FED. ROAD DIST. NO. ILLINOIS FED. AID PROJECT			CONTRACT NO. 60F81	