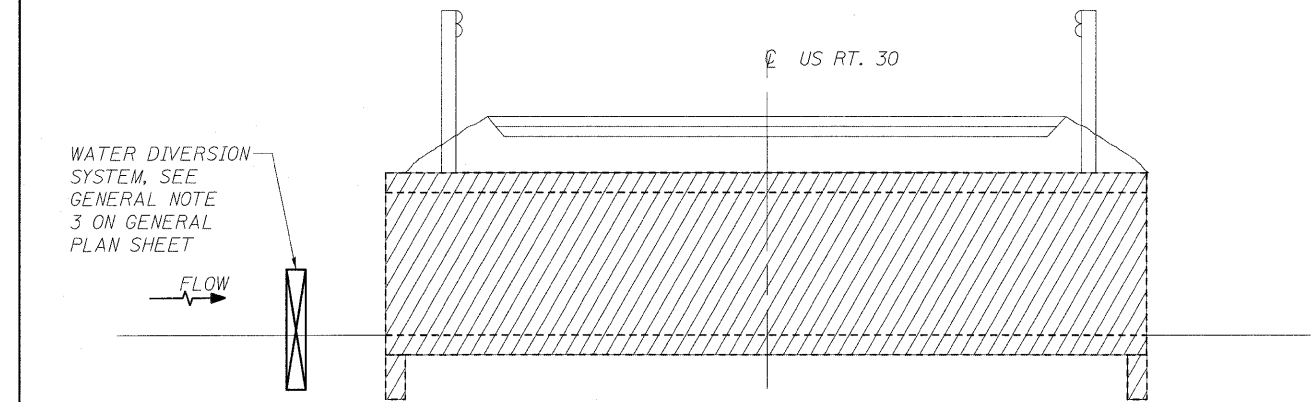


PLAN - REMOVAL



LONGITUDINAL SECTION - REMOVAL
AT CULVERT. LOOKING NORTH

GENERAL CONSTRUCTION NOTES

- A. THE CONTRACTOR SHALL SUBMIT A PLAN AND SCHEDULE OF CONSTRUCTION ACTIVITIES TO THE ENGINEER FOR APPROVAL BEFORE STARTING ANY WORK FOR THIS PROJECT.
 - B. AS-BUILT/ACTUAL DETAILS OF EXISTING BOX CULVERT AND WINGWALLS ARE NOT AVAILABLE. CONTRACTOR SHALL FIELD VERIFY ACTUAL EXISTING STRUCTURE TO BE REMOVED.
 - C. FOR TRAFFIC CONTROL DURING CONSTRUCTION, INCLUDING ITEMS NOT SHOWN HERE, SEE ROADWAY DRAWINGS.
 - D. REFER TO ROADWAY DRAWINGS, CROSS SECTIONS AND STRUCTURE DRAWINGS FOR ADDITIONAL INFORMATION.
 - E. TO COMPLETE THE WORK FOR THE BOX CULVERT REMOVAL ITEM, OTHER REMOVALS AND EXCAVATION WORK IS REQUIRED (NOT SHOWN). THAT WORK AND COST IS INCLUDED IN THE FOLLOWING PAY ITEMS:
 - STRUCTURE EXCAVATION
 - EARTH EXCAVATION
 - PAVEMENT REMOVAL*
 - STEEL PLATE BEAM GUARDRAIL REMOVAL*
 - STEEL PLATE BEAM GUARDRAIL REMOVAL, ATTACH TO STRUCTURE*
- (* COORDINATE WITH ROADWAY PLANS)

BILL OF MATERIAL

ITEM	UNIT	QUANTITY
REMOVAL OF EXISTING STRUCTURES	EACH	1

LEGEND

- APPROXIMATE LIMITS OF REMOVAL OF EXISTING STRUCTURES.