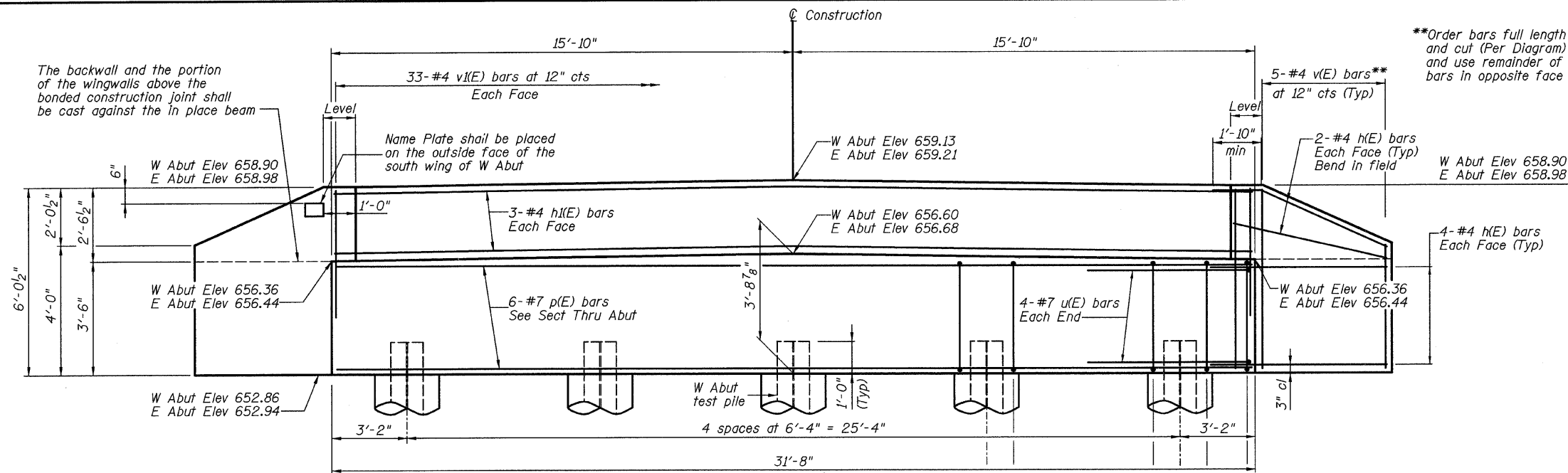


Sheet No. 6
of 8 Sheets

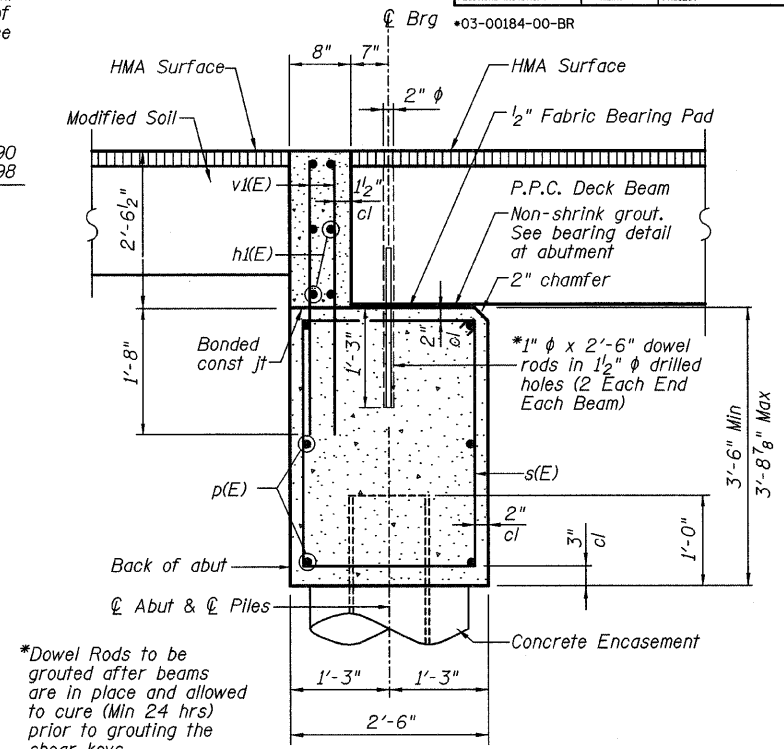
| ROUTE NO. | SECTION | COUNTY | TOTAL SHEETS | SHEET NO. |
|-----------------------|---------|--------|--------------|-----------|
| FAS 549 | * | MACON | 52 | 26 |
| FED. ROAD DIST. NO. 7 | | LANDS | PROJECT | |
| *03-00184-00-BR | | | | |



PILE DATA:

Type and Size: Steel HP 12x53
Nominal Required Bearing: 300 kips
Allowable Resistance Available: 100 kips
Est. Length: 54'
No. Production Piles (2 Abuts.): 9
No. Test Piles: 1 at W Abut

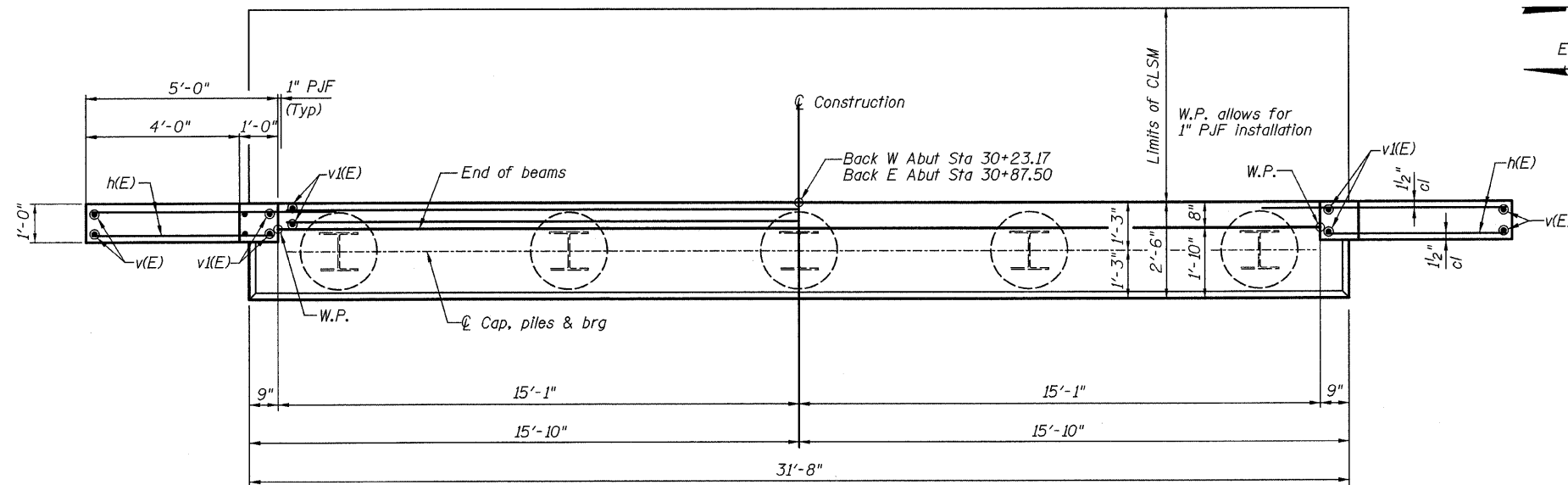
ELEVATION



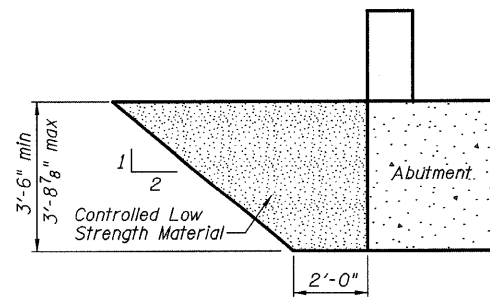
*Dowel Rods to be grouted after beams are in place and allowed to cure (Min 24 hrs) prior to grouting the shear keys.

SECTION THRU ABUTMENT

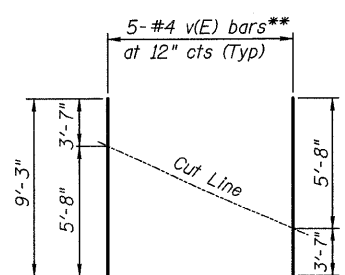
(Dimensions at Rt L's)



PLAN



CONTROLLED LOW STRENGTH MATERIAL LIMITS



FIELD CUTTING DIAGRAM

**Order v(E) full length. Cut as shown and use remainder of bars in opposite face.

**2 ABUTMENTS
BILL OF MATERIAL**

| Bar | No. | Size | Length | Shape |
|------|-----|------|--------|-------|
| h(E) | 48 | #4 | 6'-6" | — |
| h(E) | 12 | #4 | 31'-8" | — |
| p(E) | 12 | #7 | 31'-5" | — |
| s(E) | 64 | #4 | 11'-3" | □ |
| u(E) | 16 | #7 | 11'-1" | □ |
| v(E) | 20 | #4 | 9'-3" | — |
| v(E) | 132 | #4 | 4'-1" | — |

| | | |
|-----------------------------------|-------|------|
| Structure Excavation | Cu Yd | 120 |
| Concrete Structures | Cu Yd | 32.8 |
| Reinforcement Bars (Epoxy Coated) | Pound | 2560 |
| Furnishing Steel Piles HP 12x53 | Foot | 486 |
| Driving Piles | Foot | 486 |
| Test Pile Steel HP 12x53 | Each | 1 |
| Controlled Low Strength Material | Cu Yd | 48 |
| Concrete Encasement | Cu Yd | 3.6 |

Reinforcement bars designated (E) shall be epoxy coated.

CH 20 OVER STEVENS CREEK

ABUTMENT DETAILS

| REVISIONS | CH 20 | SECTION 03-00184-00-BR | DRAWN BY DATE |
|-------------------|-------|------------------------|-----------------|
| No. DATE INITIALS | MACON | SN 058-3371 | R KING 6/09 |
| 1 | | | CHECKED BY DATE |
| 2 | | | JMB 6/09 |
| 3 | | | BOOK NUMBER |
| 4 | | | |
| 5 | | | |
| 6 | | | |
| 7 | | | |
| 8 | | | |
| 9 | | | |
| 10 | | | |

HOMER L. CHASTAIN & ASSOCIATES, LLP
CONSULTING ENGINEERS
184-08197

DECATUR CHICAGO
(817) 422-8544 (770) 714-0050

ROCKFORD
(815) 489-0050

PROJECT No. **4901**
SHEET No.