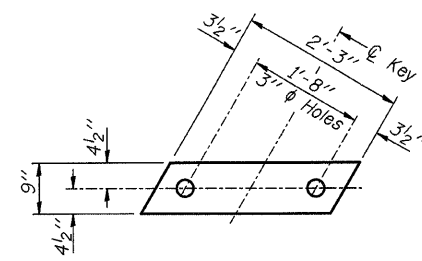
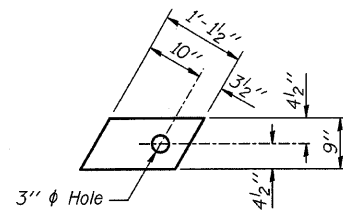


ROUTE NO.	SECTION	COUNTY	TOTAL SHEETS	SHEET NO.
FAS 549	*	MACON	52	14
FED. ROAD DIST. NO. 7		ILLINOIS	PROJECT	



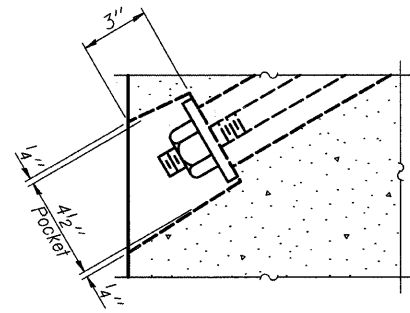
**FABRIC BEARING PAD**  
(Interior)



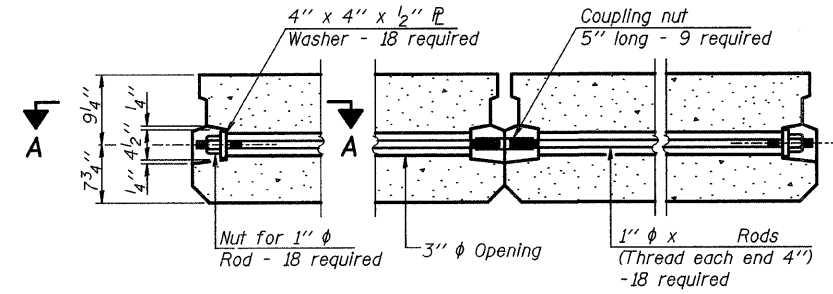
**FABRIC BEARING PAD**  
(Exterior)

**FIXED**

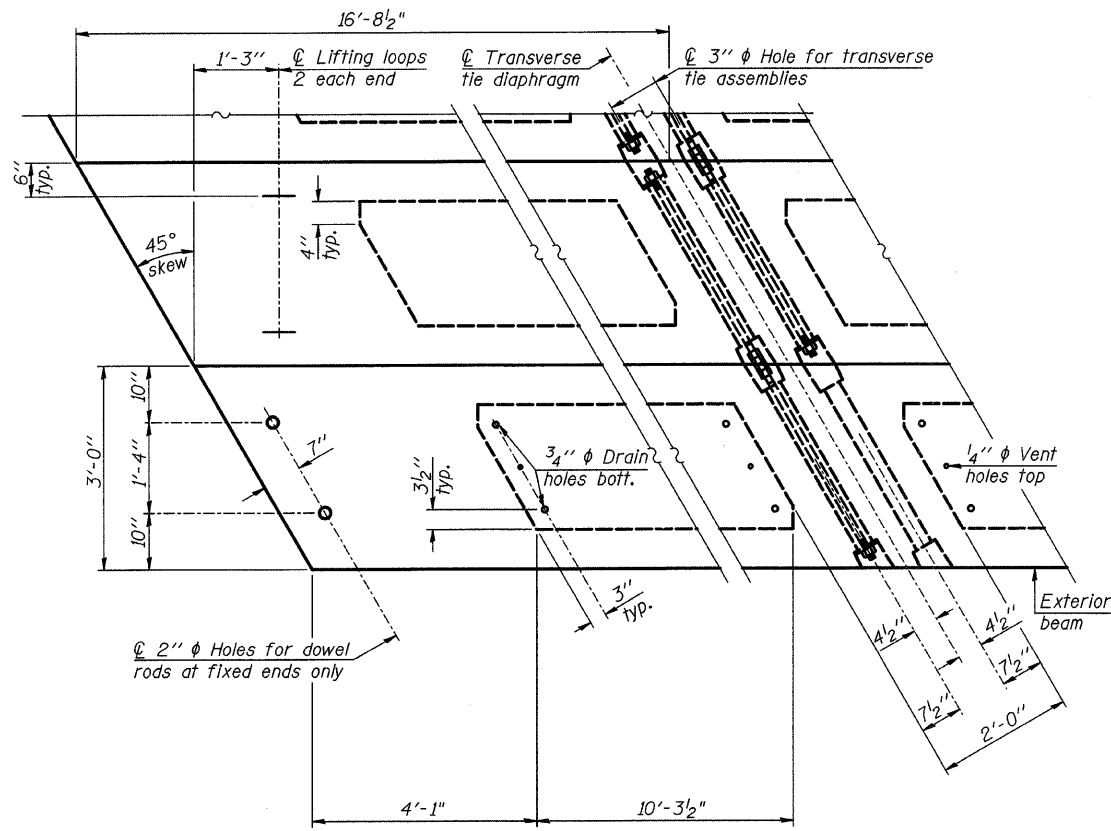
Note: Omit holes when using expansion bearings.



**SECTION A-A**

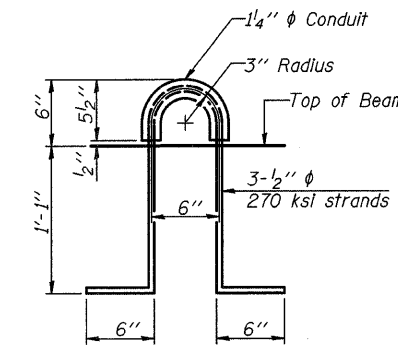


**TYPICAL TRANSVERSE TIE ASSEMBLY**



**PLAN VIEW**

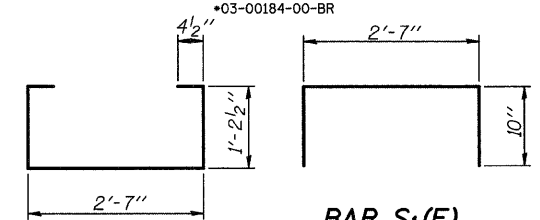
Note: Connect beams in pairs with the transverse tie configuration shown.



**LIFTING LOOP DETAIL**

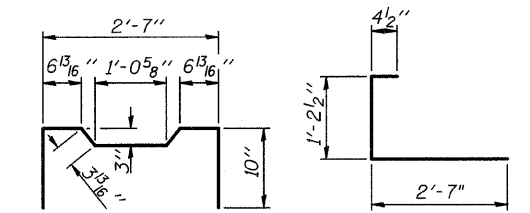
**NOTES**

Prestressing steel shall be uncoated high strength, low relaxation 7-wire strand, Grade 270. The nominal diameter shall be 1/2" and the nominal cross-sectional area shall be 0.153 sq. in. The 1" phi rods in the transverse tie assembly shall be tightened to a snug fit and the threads set. Pockets on exterior faces of bridge shall be filled with grout after transverse tie assembly is in place. Reinforcement bars shall conform to ASTM A 706, Grade 60. (See Special Provisions). Two 1/8" fabric adjusting shims of the dimensions of the exterior bearing pad shall be provided for each bearing pad location. A minimum 2 1/2" phi lifting pin shall be used to engage the lifting loops during handling. Corrosion Inhibitor, per Article 1020.05(b)(12) and 1021.06 of the Standard Specifications, shall be used in the concrete for precast prestressed concrete deck beams. Compressive strength of prestressed concrete, f'c, shall be 6000 psi. Compressive strength of prestressed concrete at release, f'ci, shall be 5000 psi. The top surface of the beams shall be finished according to Article 504.06 of the Standard Specifications except that the surface shall not be roughened by brooming. The finished surface shall be free of depressions or high spots with sharp corners, and the top edge of keys shall be rounded or chamfered a minimum of 1/4".



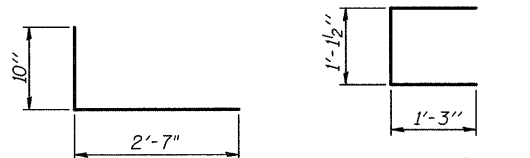
**BAR S1(E)**

**BAR S(E)**



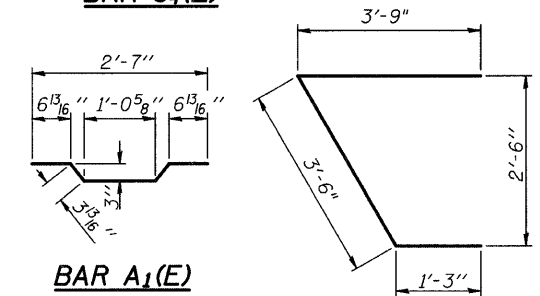
**BAR S2(E)**

**BAR S3(E)**



**BAR S4(E)**

**BAR U(E)**



**BAR A1(E)**

**BAR U1(E)**

**BILL OF MATERIAL**

Precast Prestressed Conc. Deck Bms. (17" depth)	Sq. Ft.	2005
---	---------	------

**CH 20 OVER TRIBUTARY TO STEVENS CREEK**

**17" X 36" PPC DECK BEAM DETAILS**

REVISIONS	CH 20	SECTION 03-00184-00-BR	DRAWN BY DATE
1		SN 058-3370	R KING 6/09
2		MACON	CHECKED BY DATE
3			JMB 6/09
4			BOOK NUMBER
5			
6			
7			
8			
9			
10			

**HOMER L. CHASTAIN & ASSOCIATES, LLP**  
CONSULTING ENGINEERS  
DECATUR CHICAGO  
(217) 422-8544 (773) 714-0050  
ROCKFORD  
(815) 469-0050

PROJECT No. 4901  
SHEET No.