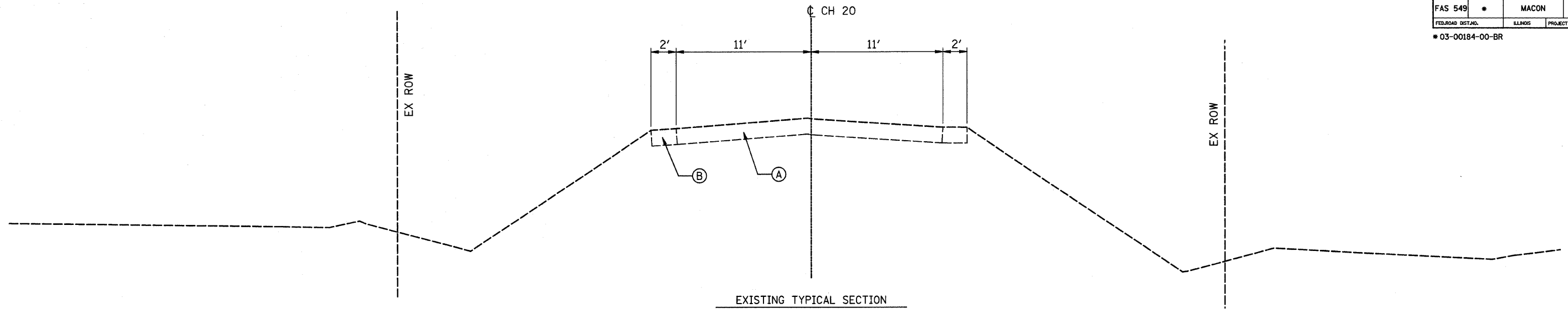
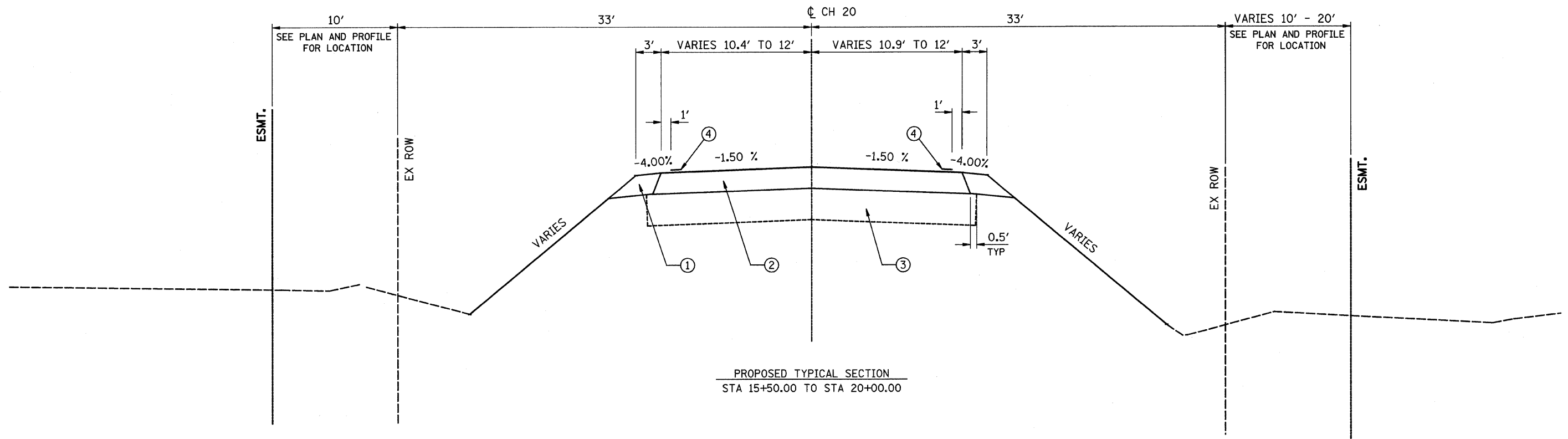


ROUTE NO.	SECTION	COUNTY	TOTAL SHEETS	SHEET NO.
FAS 549	*	MACON	52	3
FED. ROAD DIST. NO.	ILLINOIS	PROJECT		

* 03-00184-00-BR



EXISTING TYPICAL SECTION



PROPOSED TYPICAL SECTION
STA 15+50.00 TO STA 20+00.00

- (A) EXISTING PAVEMENT (2" HMA & 8" BAM)
- (B) EXISTING AGGREGATE SHOULDERS
- (1) AGGREGATE SHOULDERS TYPE B
- (2) HOT MIX ASPHALT PAVEMENT (FULL DEPTH), 8"
- (3) PROCESSING MODIFIED SOIL 12"
- (4) PAINT PAVEMENT MARKING LINE 4"

TYPICAL SECTIONS

SECTION 03-00184-00-BR		CH 20 OVER STEVENS CR		DRAWN BY	DATE
MACON COUNTY				DLB	7/09
				CHECKED BY	DATE
				CAS	7/09
				BOOK NUMBER	
					259
				PROJECT No.	
					4901
				SHEET No.	

HOMER L. CHASTAIN & ASSOCIATES, LLP
 CONSULTING ENGINEERS
 184-001377

DECATUR CHICAGO
 (817) 423-8844 (773) 714-0050

ROCKFORD
 (815) 489-0050