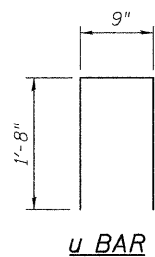


**PLAN**  
(Concrete Removal)



**u BAR**

**BILL OF MATERIAL**

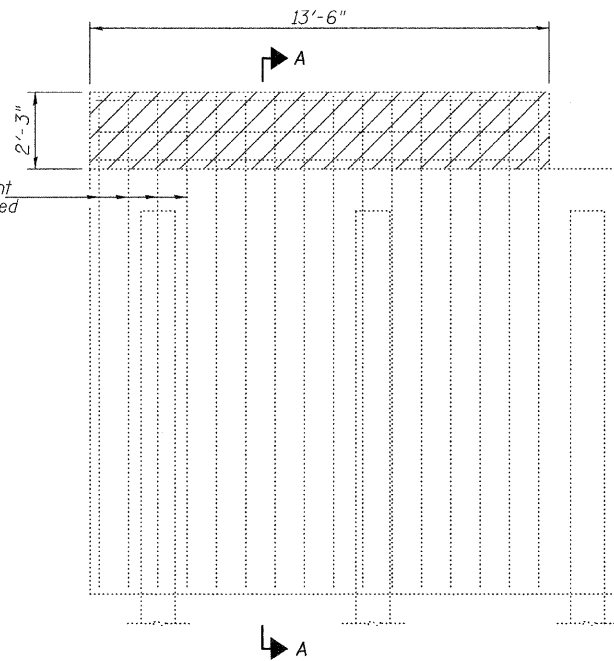
Bar	No.	Size	Length	Shape
h	24	#4	13'-3"	—
u	56	#4	4'-1"	U
Concrete Removal			CU YD	4.5
Concrete Structures			CU YD	4.5
Reinforcement Bars			POUND	370

① See Special Provisions

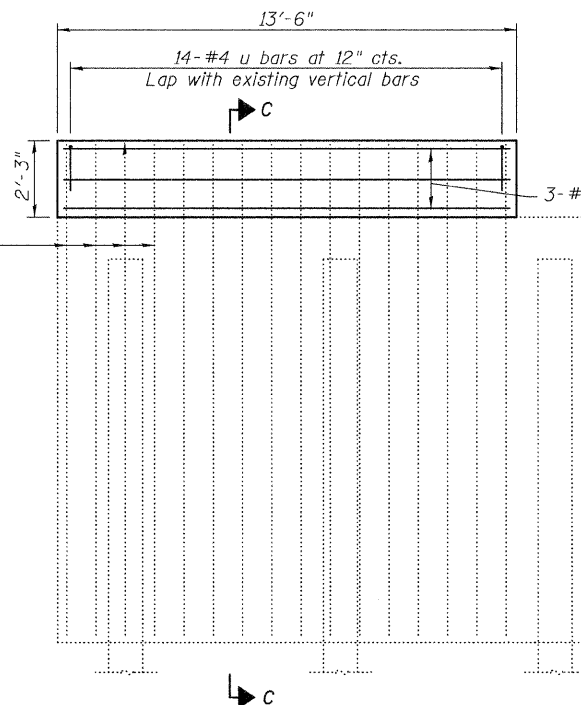
Hatched area indicates portion of abutment to be removed.

\*Existing vertical reinforcement to be cleaned and incorporated into new construction.

\*Existing vertical reinforcement to be cleaned and incorporated into new construction.

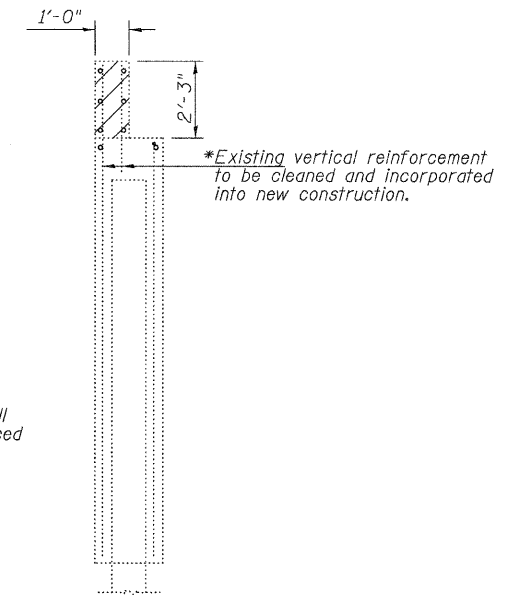


**VIEW B-B**  
(Concrete Removal)

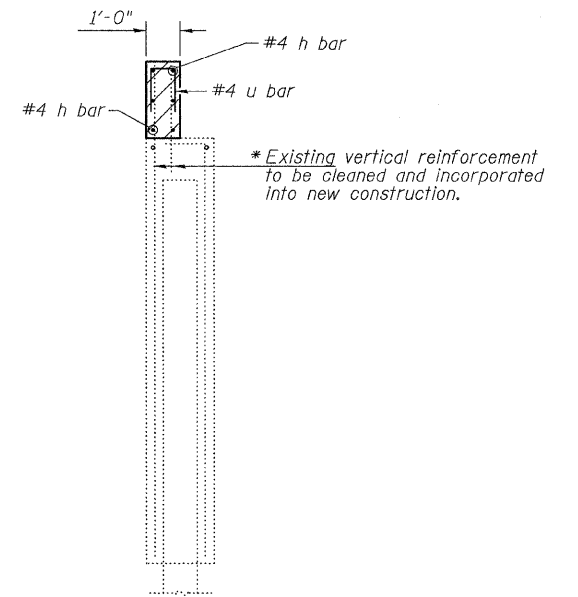


**VIEW B-B**  
(New Construction)

\* Any reinforcement bars that have lost 1/4 or more of their original cross sectional area shall be cut off and mechanically spliced to a new bar. Cost included with Concrete Removal.



**SECTION A-A**  
(Concrete Removal)



**SECTION C-C**  
(New Construction)

Note: Any earth/shoulder material removal/replacement required on the back side of the wingwalls required for the concrete removal/replacement shall be completed in accordance with the Standard Specifications and to the satisfaction of the Engineer. Cost of removal included with "Concrete Removal". Replacement of earth material shall be included with "Concrete Removal". Replacement of shoulder aggregate will be paid for as Aggregate Shoulders, Type A.

**ABUTMENT DETAILS**

SCOTT COUNTY

SECTION 09-00006-02-BR

C.H. 3 OVER WOLF RUN CREEK

SHEET NO. 5 6 SHEETS	RTE.	SECTION	COUNTY	TOTAL SHEETS	SHEET NO.
	CH 3	09-00006-02-BR	SCOTT	10	9
SN 086-3000			CONTRACT NO. 98519		
FED. ROAD DIST. NO. 7 ILLINOIS			FED. AID PROJECT ARA-0605(107)		