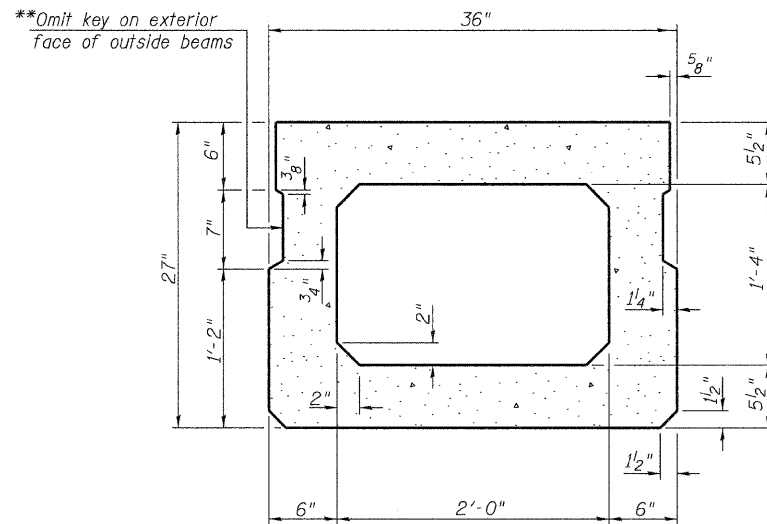
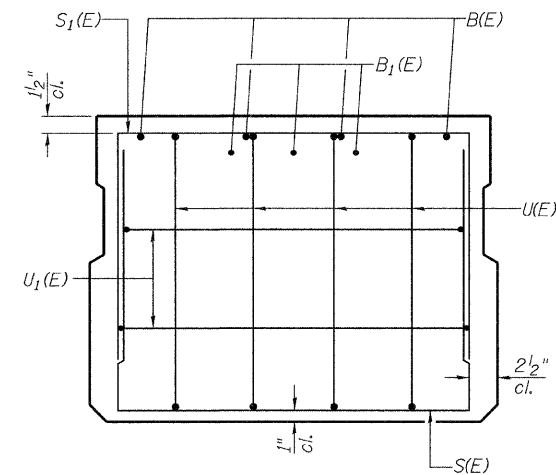


**SECTION C-C**

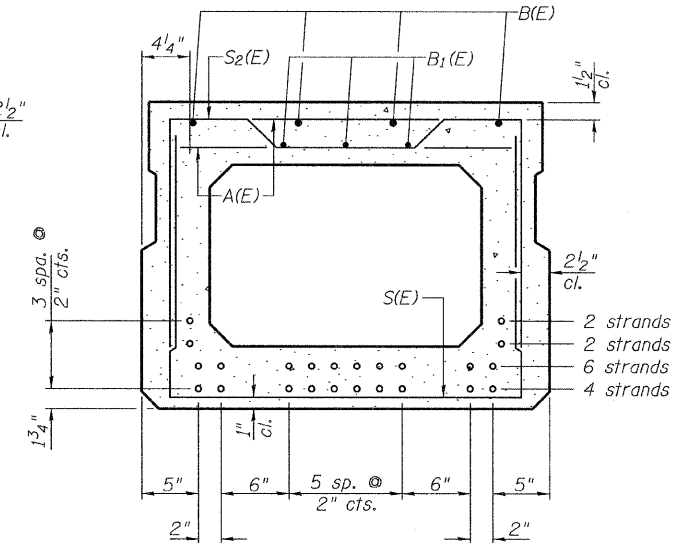


**SECTION A-A**  
(Showing dimensions)

\*\*Rail post anchor devices (Sheet 4 of 6) to be cast into exterior face of outside beams.



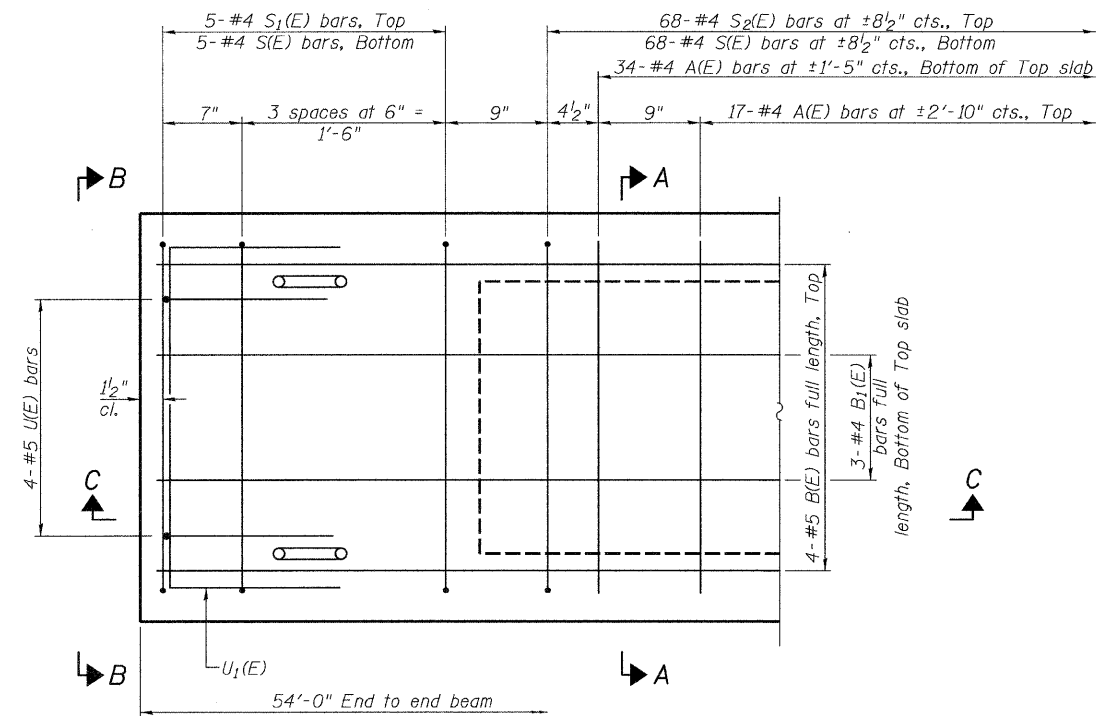
**VIEW B-B**



**SECTION A-A**

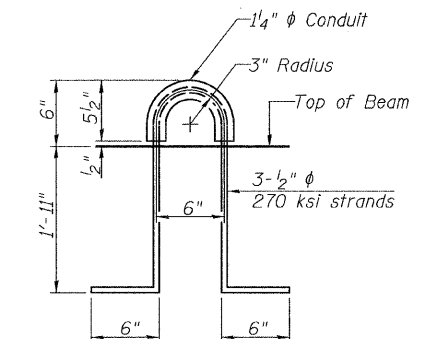
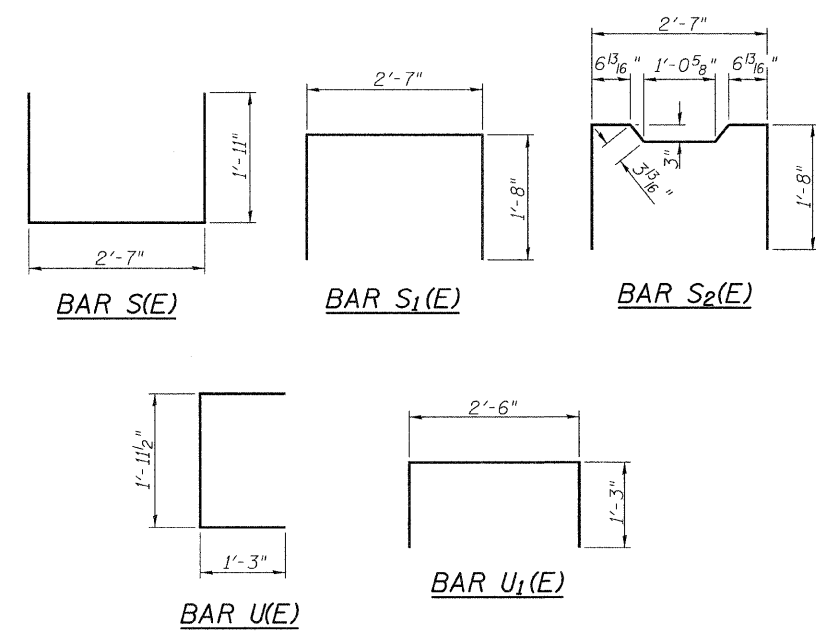
14-1/2"  $\phi$  Strands Each Strand Stressed to 30,900 Lbs.  
4-Strands 1 3/4" up, 6-Strands 3 3/4" up, 2-Strands 5 3/4" up,  
and 2 Strands 7 3/4" up

Note: Place the number of strands specified in each row symmetrically about the centerline of beam in the permissible strand locations shown.



**PLAN VIEW**

Note: Spacing of S(E) and S2(E) bars may be adjusted up to 4" in the immediate area of the transverse tie diaphragms to miss the block outs for the transverse ties.



**LIFTING LOOP DETAIL**

**BAR LIST-ONE BEAM ONLY**  
(For information only)

Bar	No.	Size	Length	Shape
A(E)	51	#4	2'-7"	—
B(E)	4	#5	*53'-9"	—
B1(E)	3	#4	*53'-9"	—
S(E)	78	#4	6'-5"	U
S1(E)	10	#4	5'-11"	U
S2(E)	68	#4	6'-2"	U
U(E)	8	#5	4'-6"	C
U1(E)	4	#4	5'-0"	U

Note: See sheet 2 of 6 for additional details and Bill of Material.

\* Total Length, Lap as necessary

**SUPERSTRUCTURE DETAILS**  
**SCOTT COUNTY**  
**SECTION 09-00006-02-BR**  
**C.H. 3 OVER WOLF RUN CREEK**

SHEET NO. 3 6 SHEETS	RTE.	SECTION	COUNTY	TOTAL SHEETS	SHEET NO.
	CH 3	09-00006-02-BR	SCOTT	10	7
	SN 086-3000		CONTRACT NO. 93519		
FED. ROAD DIST. NO. 7 ILLINOIS			FED. AID PROJECT ARA-0605(107)		