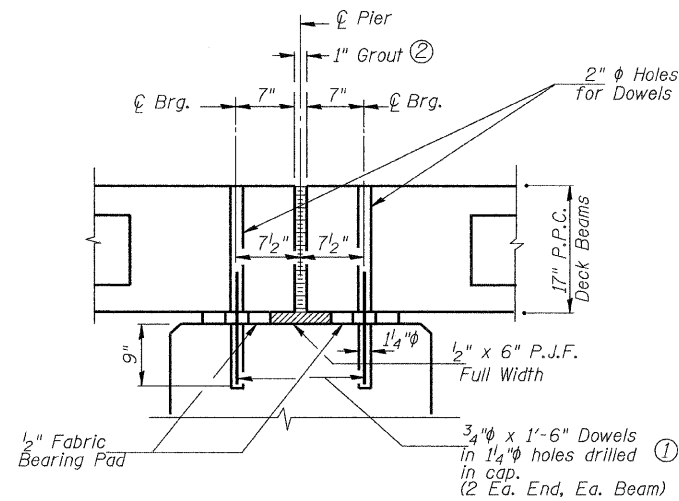
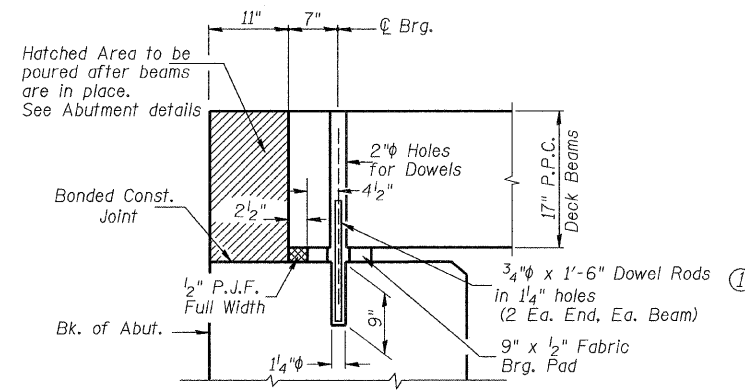


RAIL POST SPACING



SECTION THRU PIERS



SECTION THRU ABUTMENTS

- (1) Dowel Rods to be grouted after beams are in place and allowed to cure (Min. 24 hr.) prior to grouting the shear keys.
- (2) 1" Joint shall be packed with a very dry mix of 2:1 sand and P.C. mortar 1" Dimension may vary plus or minus to accommodate tolerance in beam lengths.

**SUPERSTRUCTURE DETAILS
AND RAIL POST SPACING
COUNTY HIGHWAY 12
OVER MILLER CREEK
SECTION 00-00063-00-BR
CASS COUNTY
STATION 256+92.00**