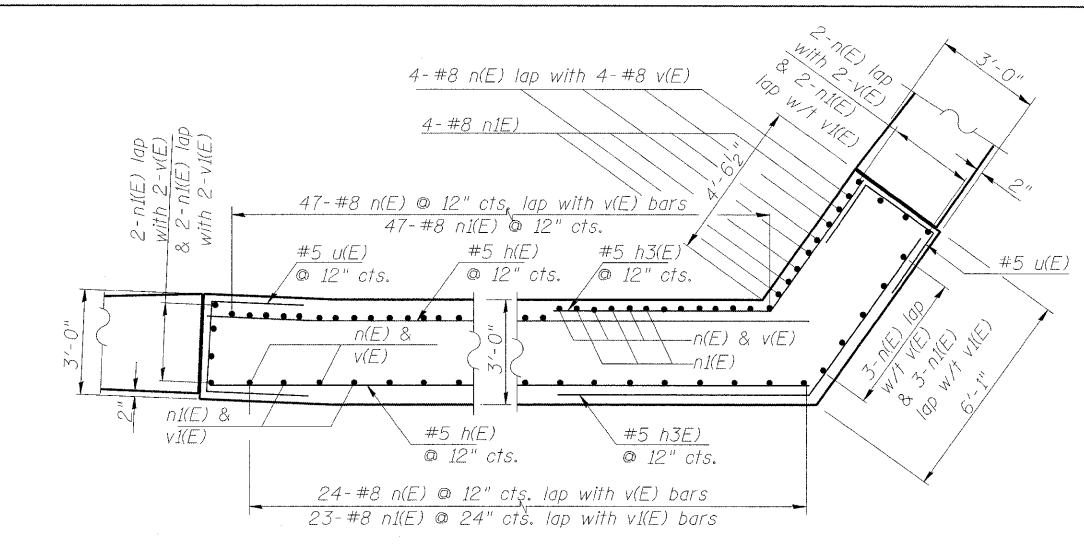


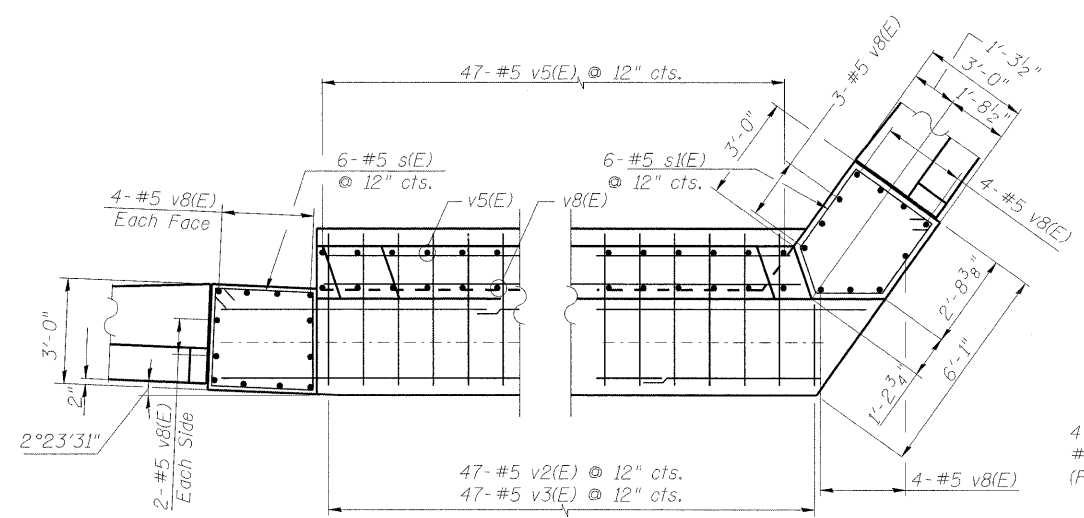
**WEST ABUTMENT  
BILL OF MATERIAL**

Bar No.	Size	Length	Shape
h1(E)	#5	26'-0"	—
h2(E)	#5	18'-0"	—
h3(E)	#5	15'-0"	—
h4(E)	#5	8'-3"	—
h5(E)	#5	17'-1"	—
h6(E)	#5	23'-8"	—
h7(E)	#5	19'-10"	—
n(E)	#8	8'-8"	—
n1(E)	#8	14'-2"	—
s(E)	#4	11'-5"	□
s1(E)	#4	11'-10"	□
s2(E)	#5	6'-6"	□
t(E)	#10	14'-8"	—
t1(E)	#10	12'-8"	—
u(E)	#5	10'-7"	□
v(E)	#8	13'-9"	—
v1(E)	#8	8'-3"	—
v2(E)	#5	13'-5"	—
v3(E)	#5	3'-7"	—
v4(E)	#5	3'-0"	—
v5(E)	#5	6'-1"	—
v6(E)	#8	38'-8"	—
v7(E)	#8	39'-11"	—
v8(E)	#5	7'-6"	—
v9(E)	#5	14'-3"	—
w(E)	#8	28'-0"	—
w1(E)	#8	21'-7"	—
w2(E)	#8	32'-0"	—
Structure Excavation	Cu. Yd.	1,408	
Concrete Structures	Cu. Yd.	393.7	
Reinforcement Bars, Epoxy Coated	Pound	45,730	
Bar Splicers	Each	47	
Furnishing Metal Shell Piles 14"x0.250"	Foot	3,596	
Driving Piles	Foot	3,596	
Test Pile Metal Shells	Each	1	
Concrete Sealer	Sq. Ft.	2,253	
Geocomposite Wall Drain	Sq. Yd.	226	
Pipe Underdrains for Structures 4"	Foot	99	
Mechanical Splice	Each	116	
Form Liner Textured Surface	Sq. Ft.	1,752	



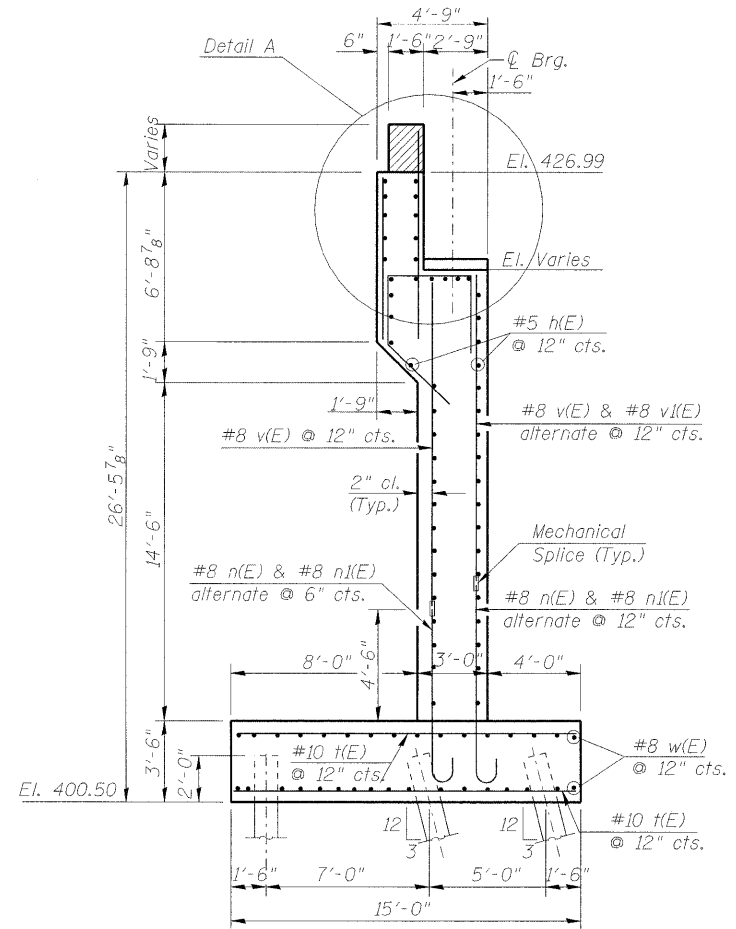
**SECTION B-B**

**SECTION C-C**

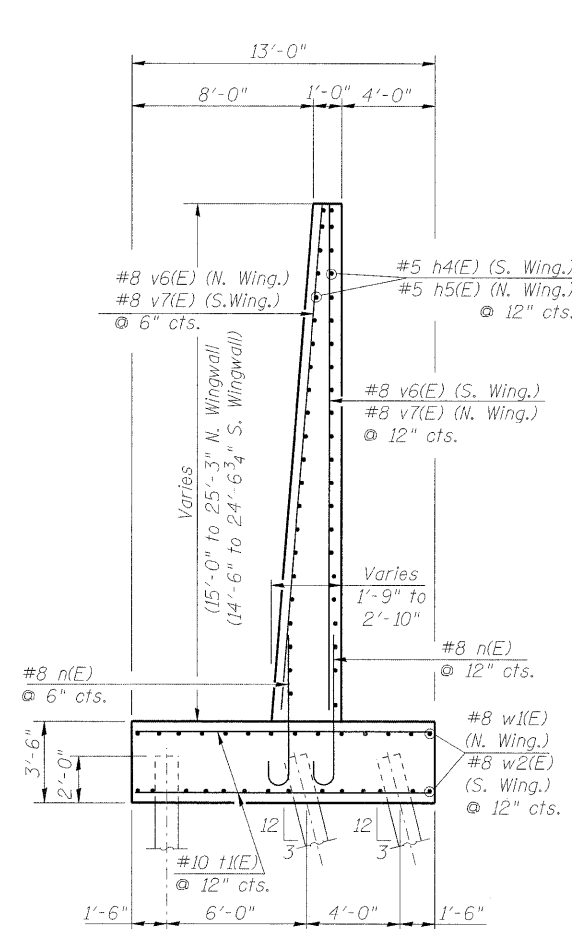


**SECTION D-D**

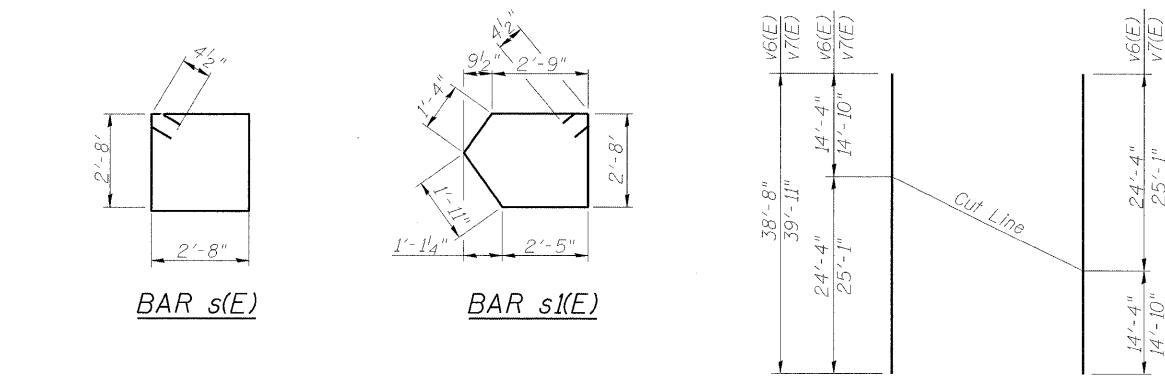
**SECTION E-E**



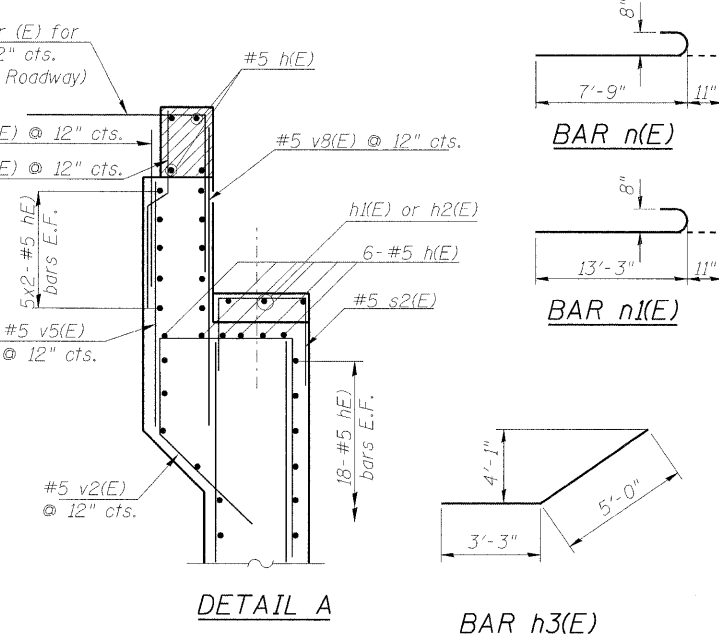
**SECTION A-A**



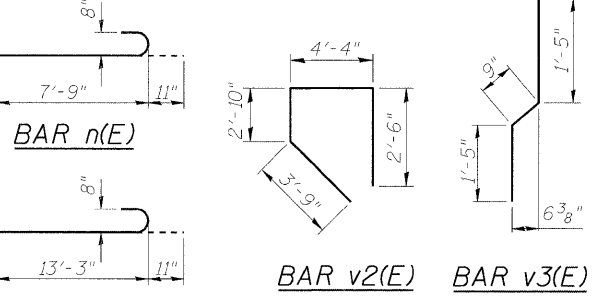
**SECTION F-F**



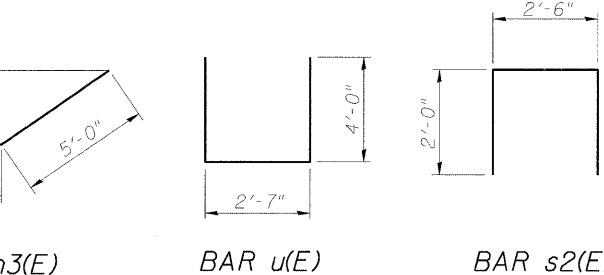
**CUTTING DIAGRAM**



**DETAIL A**



**BAR n(E) BAR n1(E) BAR v2(E) BAR v3(E)**



**BAR h3(E) BAR u(E) BAR s2(E)**

**Notes:**  
Concrete Sealer shall be applied to the area of Form Liner Textured Surface as well as the area of bearing seats, backwall and top of wingwalls.