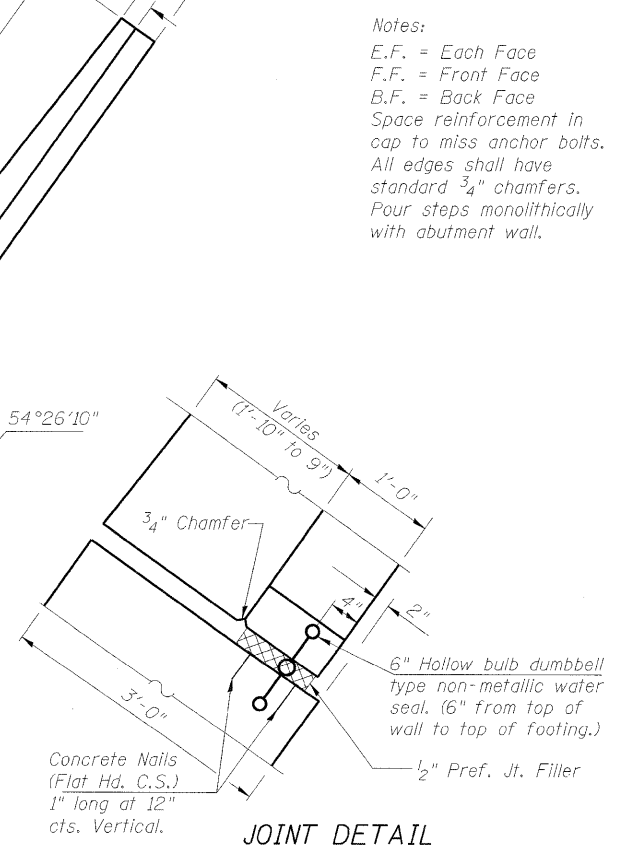
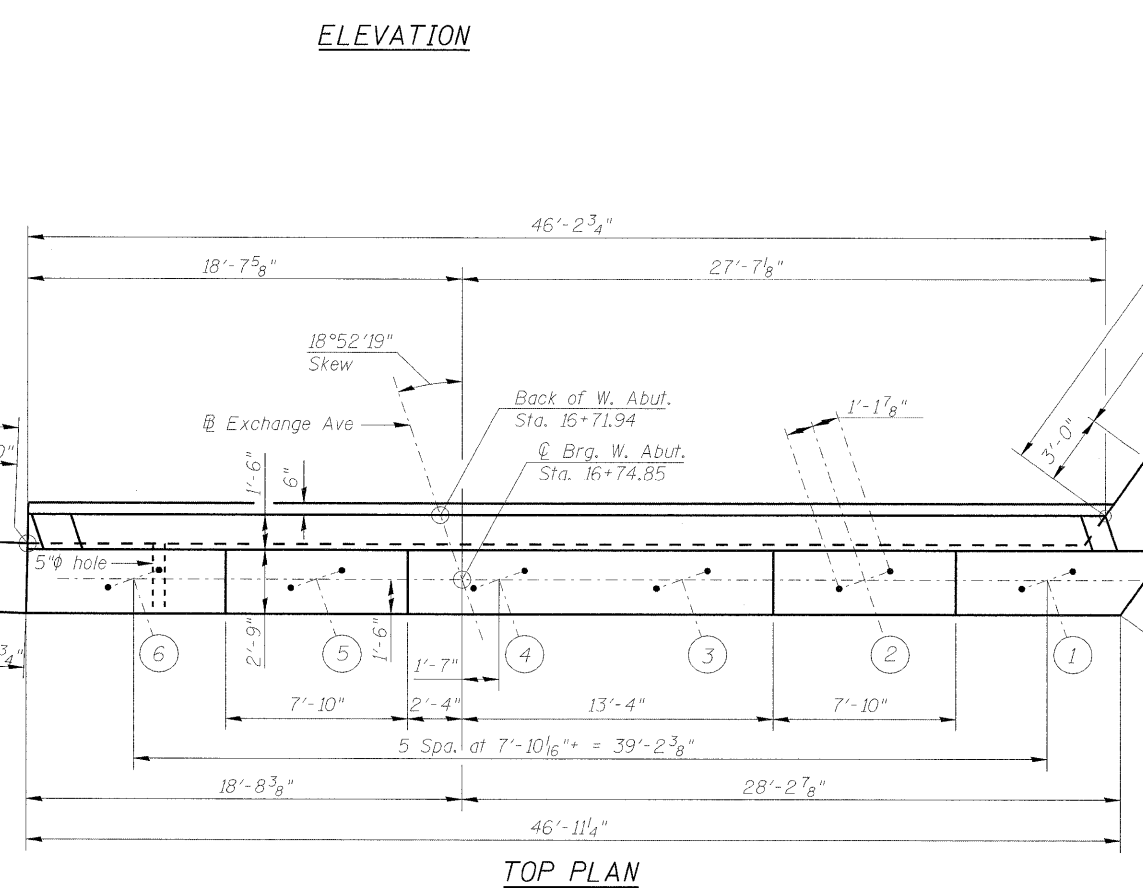
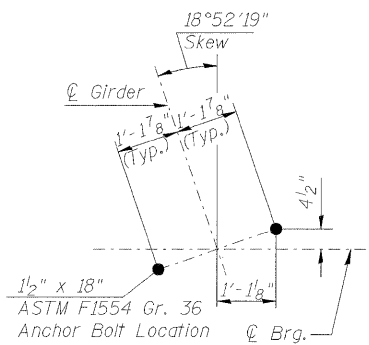
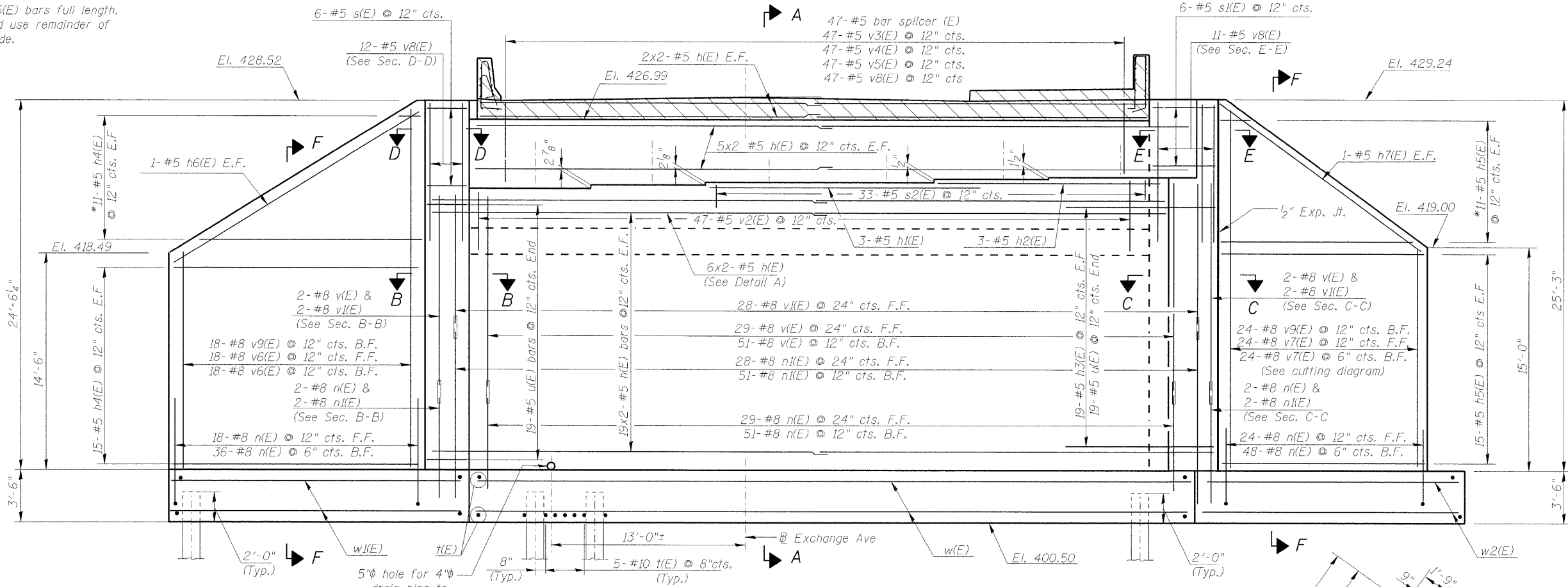


* Order h4(E) and h5(E) bars full length. Cut to fit skew and use remainder of bars is opposite side.

GIRDER SEAT ELEVATIONS

| Girder | W. Abut. |
|--------|----------|
| 1 | 423.60 |
| 2 | 423.47 |
| 3 | 423.43 |
| 4 | 423.43 |
| 5 | 423.25 |
| 6 | 423.01 |



Notes:
 E.F. = Each Face
 F.F. = Front Face
 B.F. = Back Face
 Space reinforcement in cap to miss anchor bolts.
 All edges shall have standard 3/4" chamfers.
 Pour steps monolithically with abutment wall.