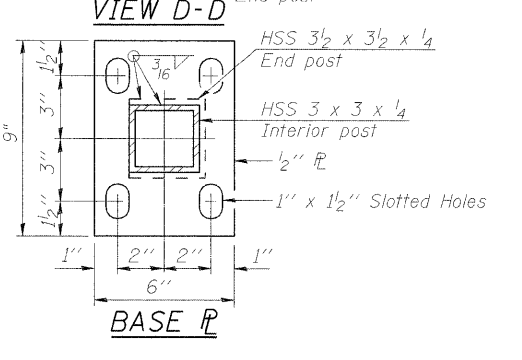
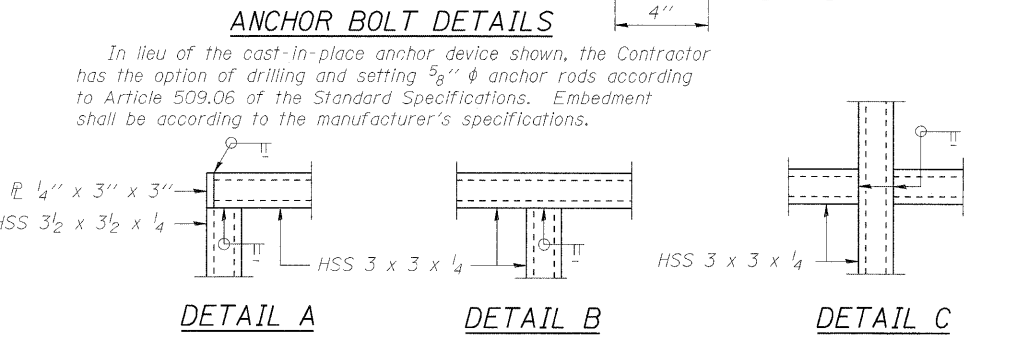
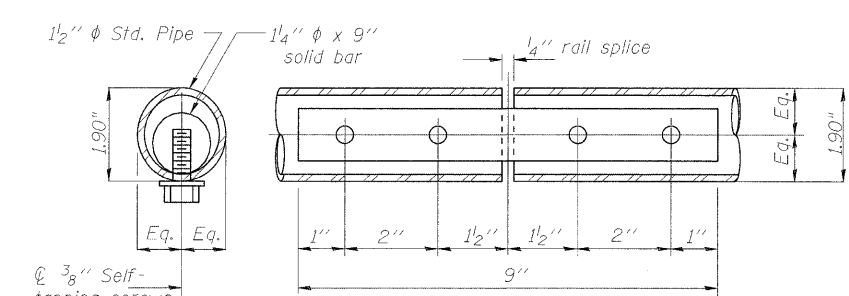
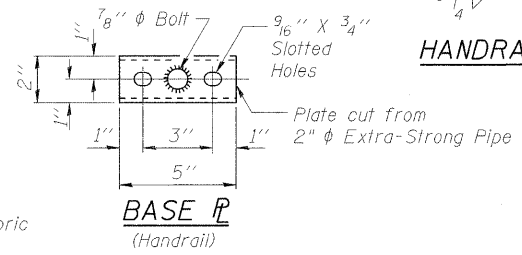
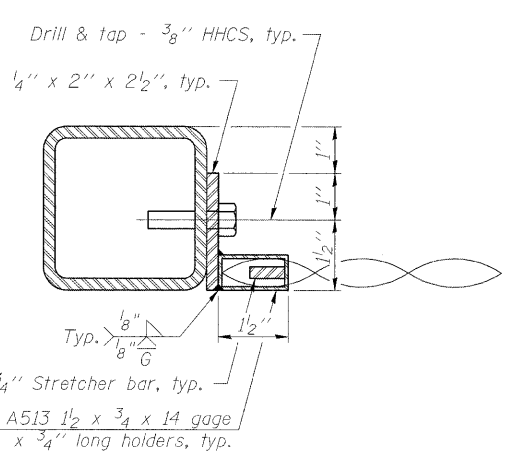
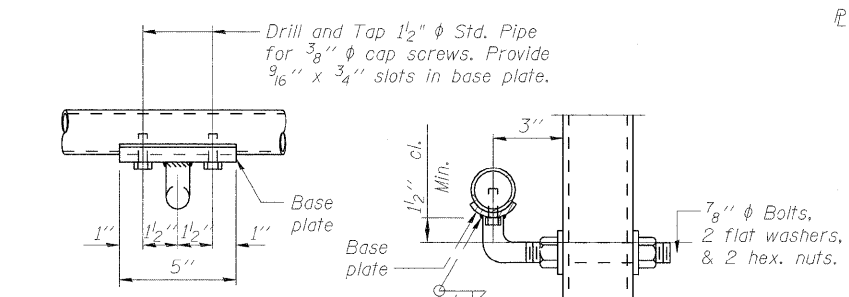
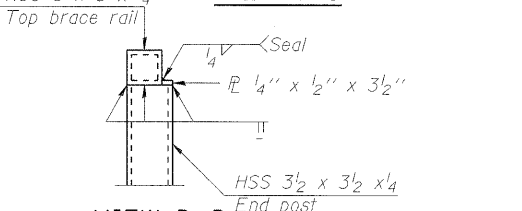
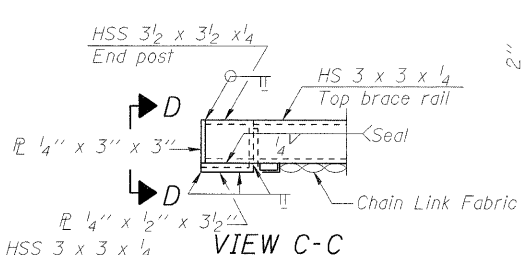
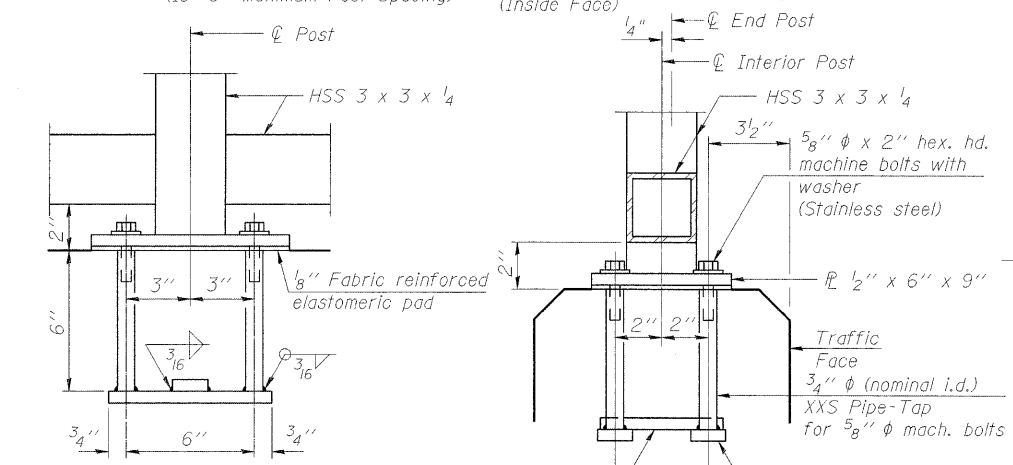
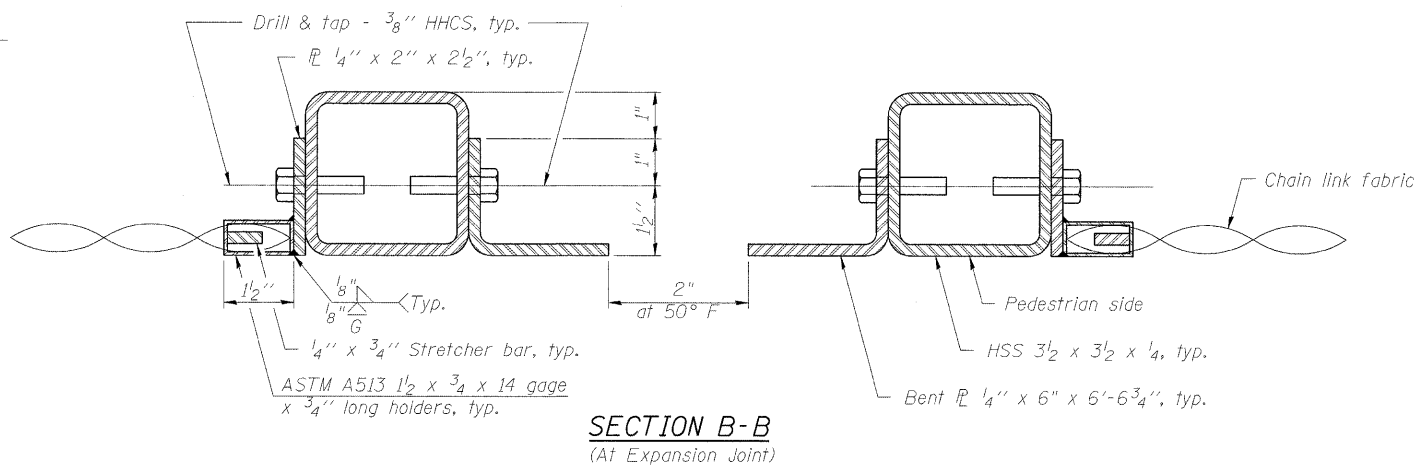
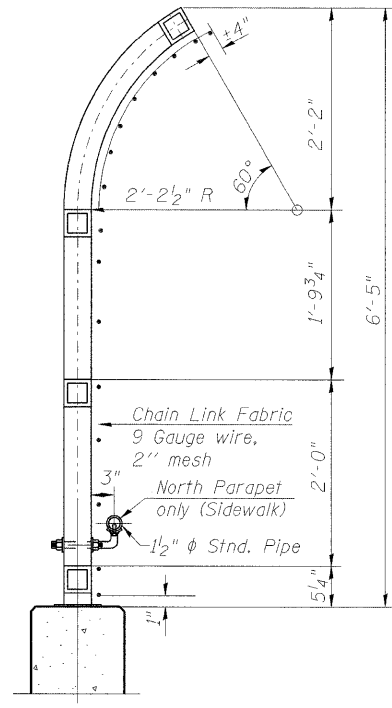
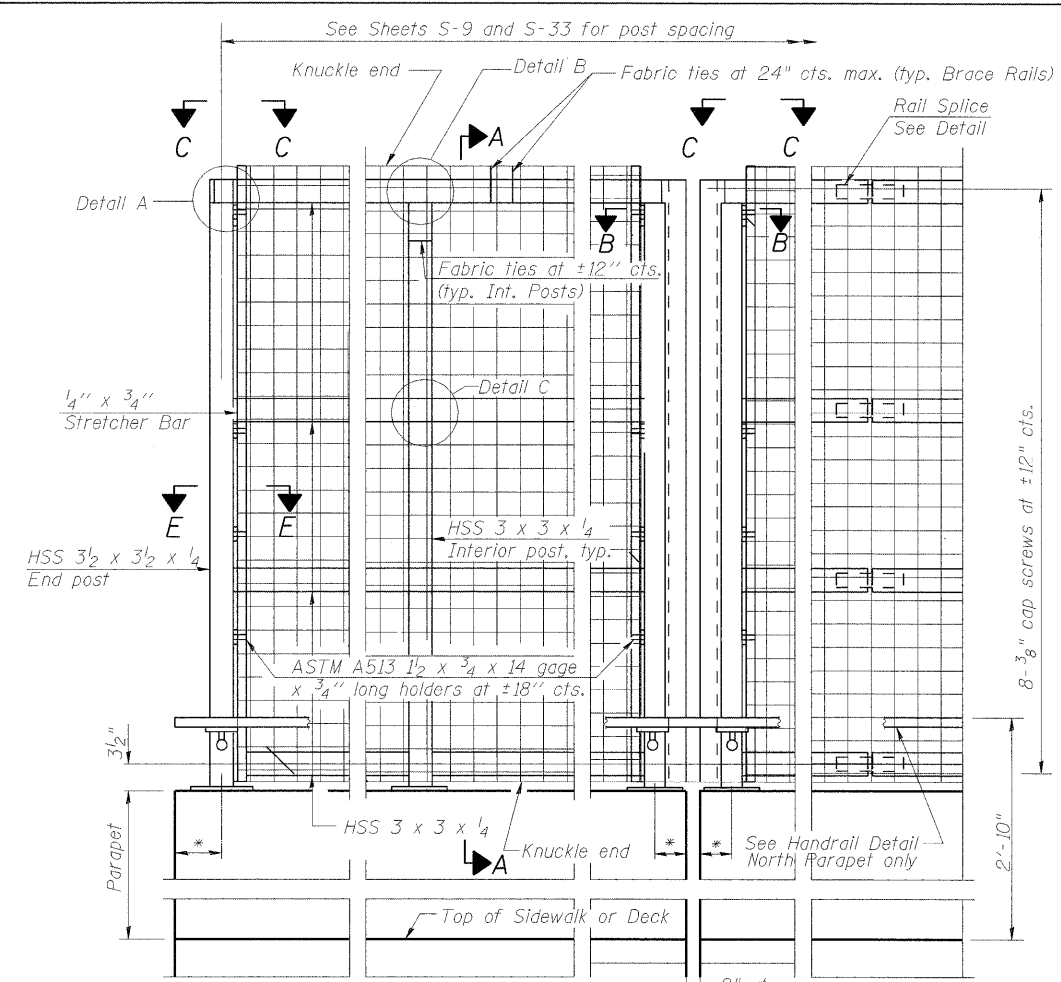


Notes:  
 All post, railing, splices, anchor devices and plates shall be painted using the DuPont Imron 2.1 HG High Gloss Polyurethane (Includes Mix Quality "VF") or approved equal. The color of the final finish coat shall be Black.



**BILL OF MATERIAL**

Item	Unit	Quantity
Bridge Fence Railing	Foot	360
Bridge Fence Railing (Sidewalk)	Foot	360