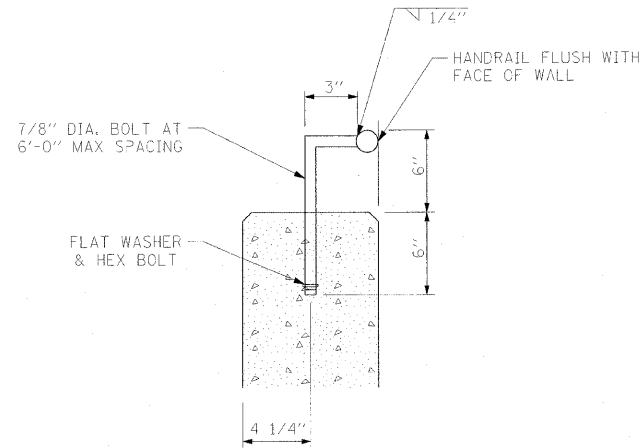
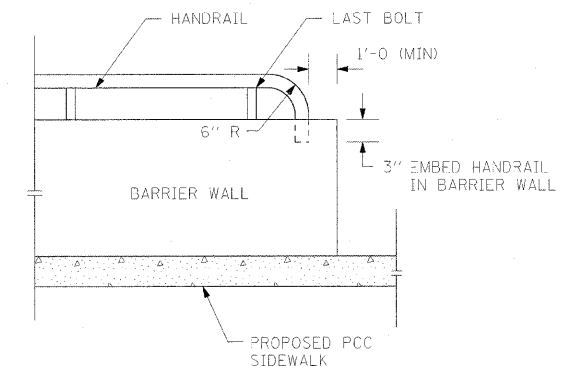


BARRIER WALL-SIDEWALK HANDRAIL SECTION

OUTSIDE HANDRAIL MOUNTED TO BARRIER DETAIL

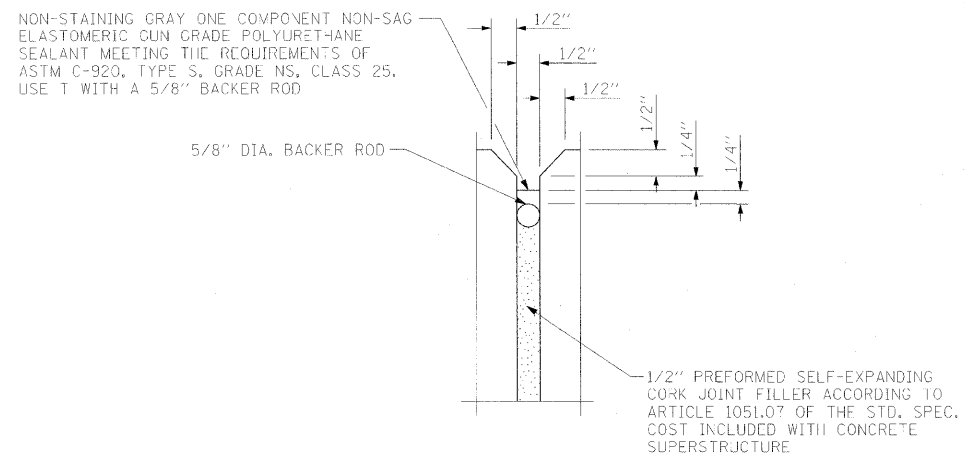


OUTSIDE HANDRAIL END TREATMENT

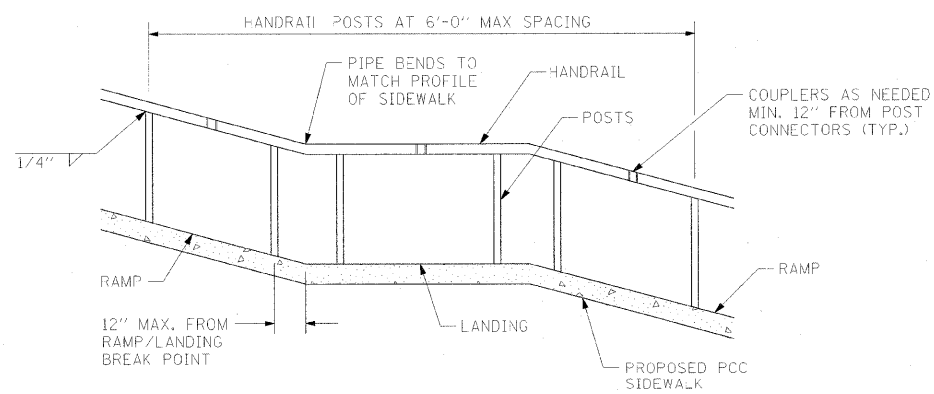


NOTES:

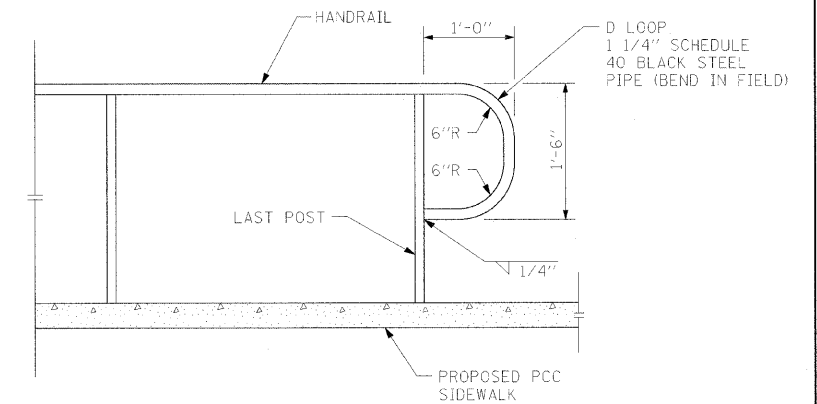
1. USE TYPE 18-7 INTERNAL COUPLER TO CONNECT HANDRAIL BETWEEN INSIDE RAILS ON APPROACH SLAB AND ROADWAY.



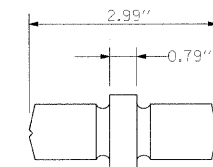
BARRIER WALL JOINT DETAIL AT APPROACH SLAB



INSIDE HANDRAIL ELEVATION



INSIDE HANDRAIL END TREATMENT



TYPE 18-7 INTERNAL COUPLER

RAIL COUPLER DETAIL

\$DATE\$ \$TIME\$ \$FILE\$	FILE NAME =	USER NAME = #USER\$	DESIGNED - AFG	REVISED -	STATE OF ILLINOIS DEPARTMENT OF TRANSPORTATION	PEDESTRIAN HANDRAIL DETAIL		F.A.I. RTE.	SECTION	COUNTY	TOTAL SHEETS	SHEET NO.
	#FILEL		DRAWN - AFG	REVISED -		70	82-2-1HB	ST. CLAIR	236	148		
	PLOT SCALE = #SCALE#		CHECKED - DRH	REVISED -		SCALE: NONE SHEET NO. 1 OF 1 SHEETS STA. TO STA.		CONTRACT NO. 76C55				
	PLOT DATE = #DATE#		DATE - OCTOBER 9, 2009	REVISED -		FED. ROAD DIST. NO. ILLINOIS FED. AID PROJECT						