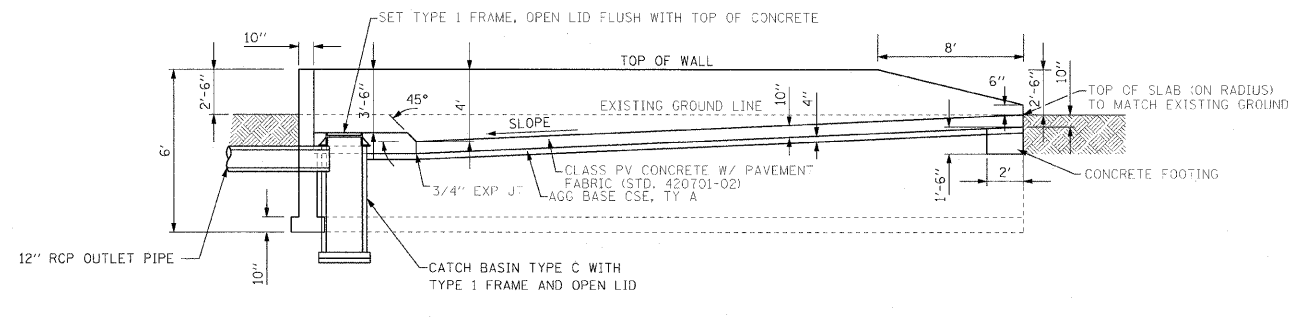


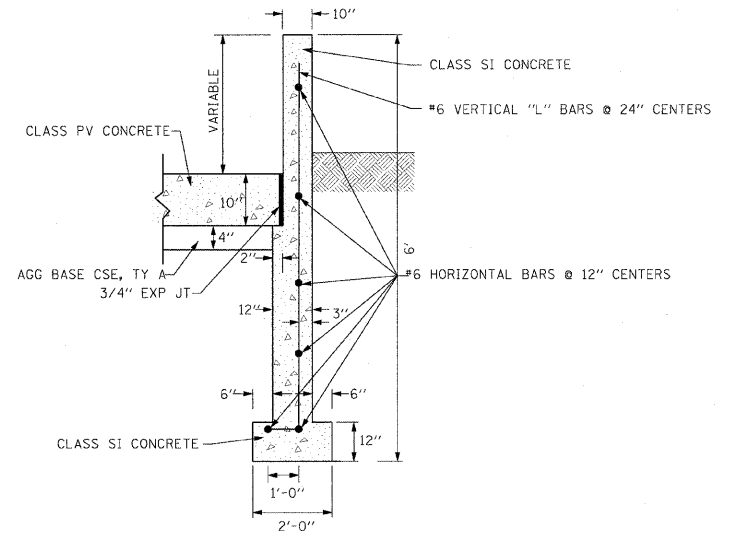
PLAN



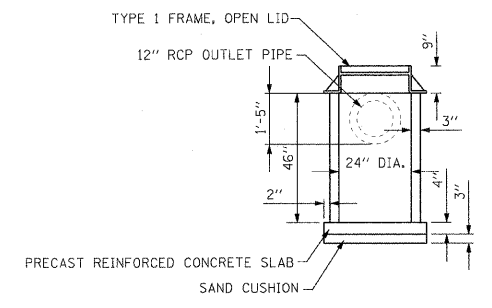
SECTION A-A
ELEVATION - WASHOUT BASIN

NOTES:

1. THE COST OF CONSTRUCTING THE WASOUT BASIN AS DETAILED HEREIN SHALL BE INCLUDED IN THE COST FOR "WASHOUT BASIN." THIS COST SHALL INCLUDE ALL LABOR, MATERIALS AND EQUIPMENT FOR CONSTRUCTING THE WASHOUT BASIN.
THE CATCH BASIN WILL BE PAID FOR SEPARATELY AS "CATCH BASINS, TYPE C, TYPE 1 FRAME, OPEN LID."
2. ALL CONCRETE USED IN THE CONSTRUCTION OF THE WASHOUT BASIN SHALL CONFORM TO SECTION 1020 OF THE STANDARD SPECIFICATIONS.



SECTION C-C
SECTION - WALL



SECTION B-B
ELEVATION - CATCH BASIN

#DATE#
#TIME#
#FILE#

FILE NAME =	USER NAME = #USER#	DESIGNED - AFG	REVISED -
#FILE#		DRAWN - AFG	REVISED -
PLOT SCALE = #SCALE#		CHECKED - DRH	REVISED -
PLOT DATE = #DATE#		DATE - OCTOBER 9, 2009	REVISED -

STATE OF ILLINOIS
DEPARTMENT OF TRANSPORTATION

WASHOUT BASIN DETAIL			
SCALE: NONE	SHEET NO. 1 OF 1 SHEETS	STA. TO STA.	

F.A.I. RTE.	SECTION	COUNTY	TOTAL SHEETS	SHEET NO.
TO	82-2-1HB	ST. CLAIR	236	147
FED. ROAD DIST. NO.		ILLINOIS FED. AID PROJECT		
		CONTRACT NO. 76C55		