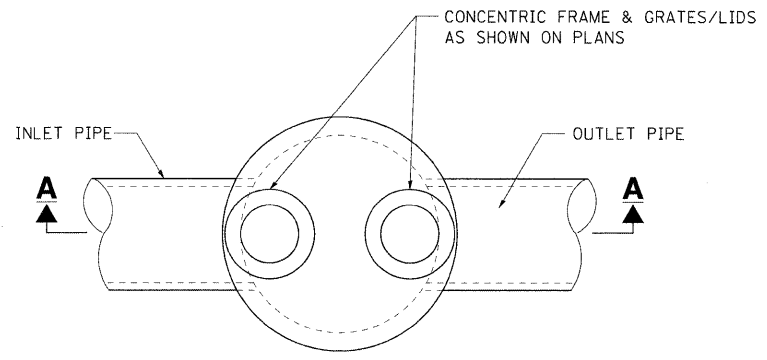
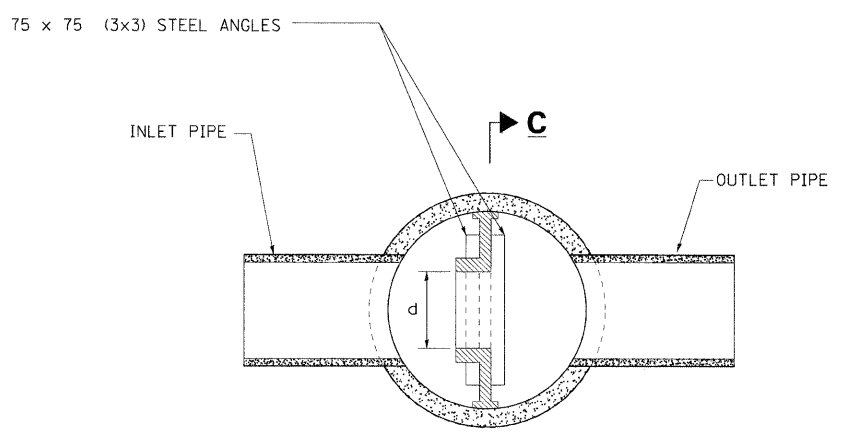


DATE: \_\_\_\_\_  
 BY: \_\_\_\_\_  
 CHECKED: \_\_\_\_\_  
 DATE: \_\_\_\_\_  
 FILE NO.: \_\_\_\_\_

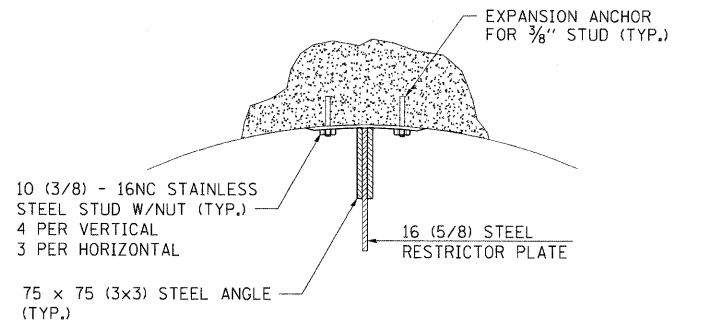
DATE: \_\_\_\_\_  
 BY: \_\_\_\_\_  
 CHECKED: \_\_\_\_\_  
 DATE: \_\_\_\_\_  
 FILE NO.: \_\_\_\_\_



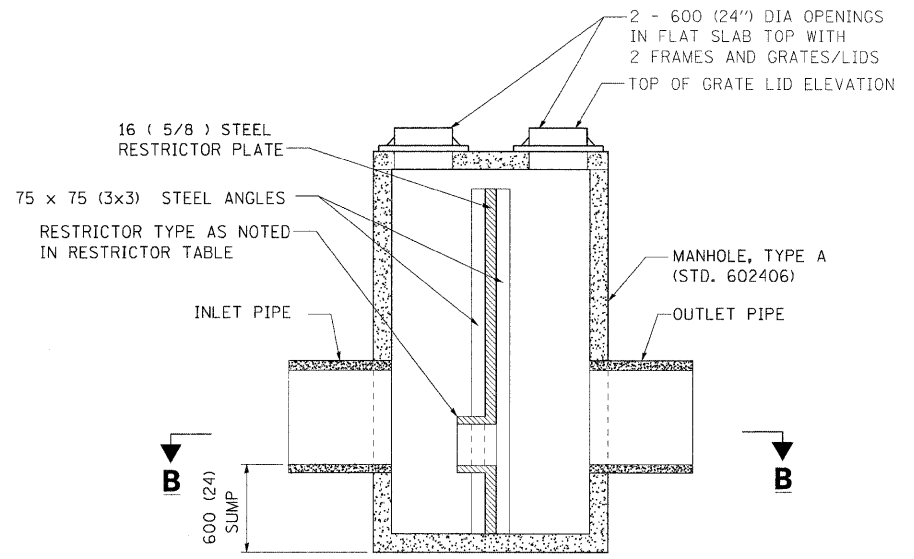
PLAN



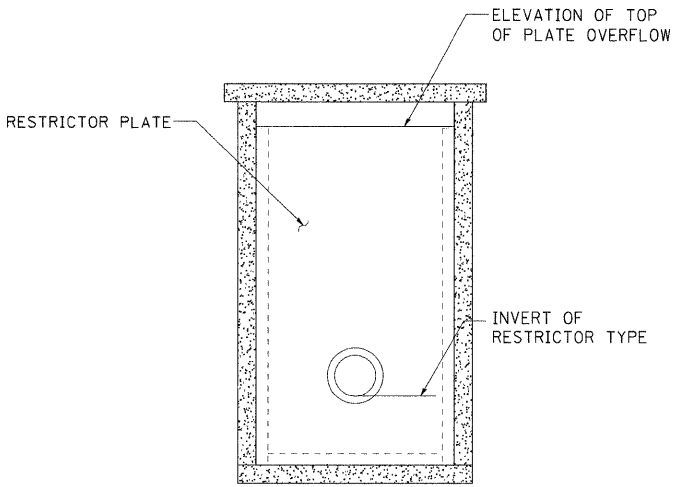
SECTION B-B



ANGLE FASTENER DETAIL



SECTION A-A

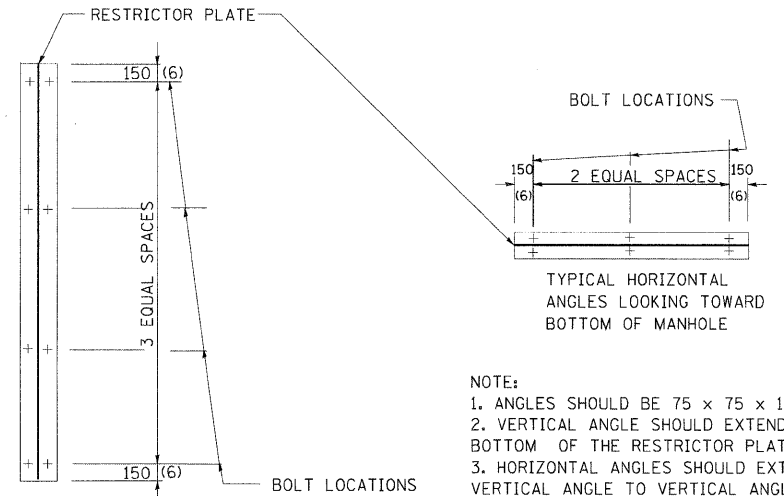


SECTION C-C

- NOTES:
1. ALL STEEL ANGLES AND PLATES TO BE GALVANIZED AFTER FABRICATION.
  2. ALL RESTRICTOR PLATES, ANGLES AND HARDWARE TO BE INCLUDED IN THE COST OF THE MANHOLE.
  3. BASIS OF PAYMENT: "MANHOLES, TYPE A, 1.8m (6FT.)-DIAMETER, TYPE 1 FRAME, CLOSED LID, RESTRICTOR PLATE" EACH.

DRAINAGE STRUCTURES, WITH RESTRICTOR PLATES  
 N.T.S.

STR. ID	STATION & OFFSET	MANHOLE DIAMETER	FRAME AND GRATE	RESTRICTOR TYPE	INLET PIPE DIAM (IN)	OUTLET PIPE DIAM (IN)	INSIDE RESTRICTOR TYPE DIA	INVERT OF RESTRICTOR TYPE (FT)	ELEVATION OF TOP OF PLATE OVERFLOW WEIR	100-YEAR WATER SURFACE ELEVATION (FT)
MH 2-2	11+25, 64.50' RT	6'	TYPE 1 CL	2	24	24	5"	<del>399.00</del> 398.67	410.50'	411.00'



- NOTE:
1. ANGLES SHOULD BE 75 x 75 x 10 ( 3 x " x 3/4 ).
  2. VERTICAL ANGLE SHOULD EXTEND FROM THE BOTTOM OF THE RESTRICTOR PLATE TO THE TOP.
  3. HORIZONTAL ANGLES SHOULD EXTEND FROM VERTICAL ANGLE TO VERTICAL ANGLE.

STEEL ANGLE BOLTING DETAILS

