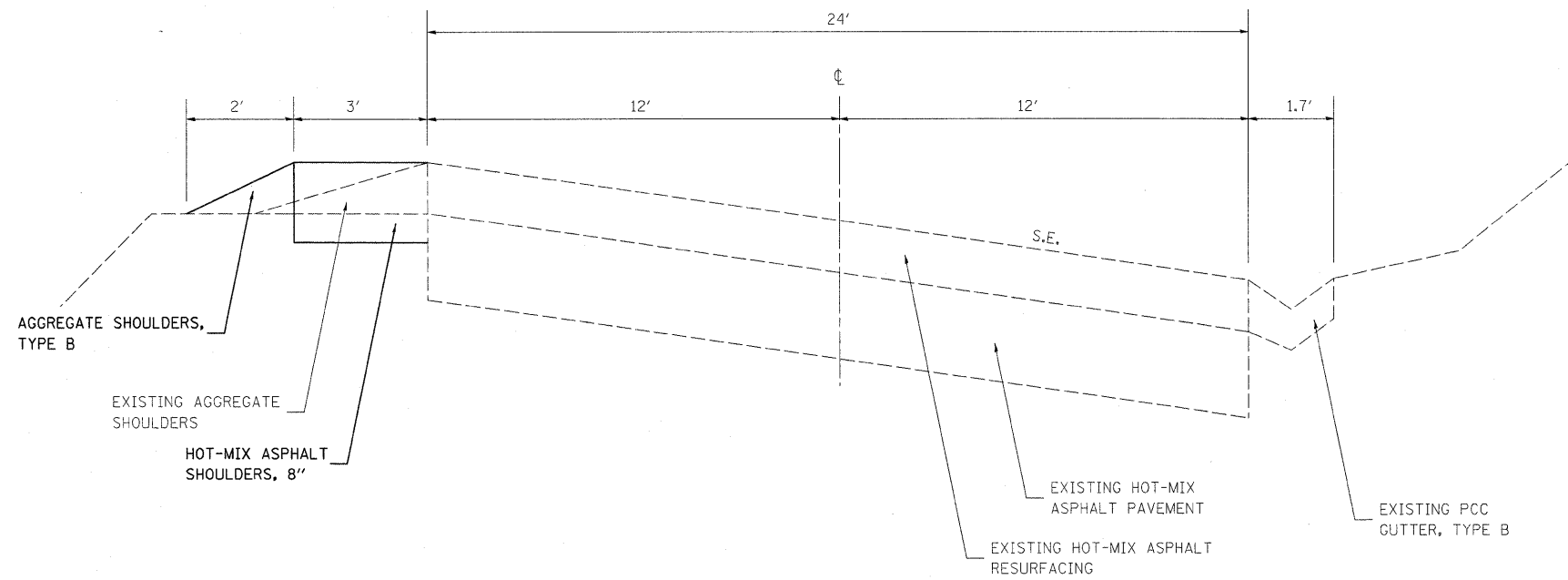


STA 888+52 TO STA 912+99  
 STA 921+55 TO STA 1089+98



STA 912+99 TO STA 921+55

FILE NAME =  
 c:\pw\work\pwidot\TEASLEYCK\d0159339\0

USER NAME = teasleyck  
 74428-sht-typicois.dgn

DESIGNED -  
 DRAWN -

REVISED -  
 REVISED -

**STATE OF ILLINOIS  
 DEPARTMENT OF TRANSPORTATION**

**TYPICAL SECTIONS**

F.A.P. RTE.	SECTION	COUNTY	TOTAL SHEETS	SHEET NO.
777	•	Fayette	6	4
CONTRACT NO. 74428				

SCALE: SHEET NO. OF SHEETS STA. TO STA.

ILLINOIS FED. AID PROJECT