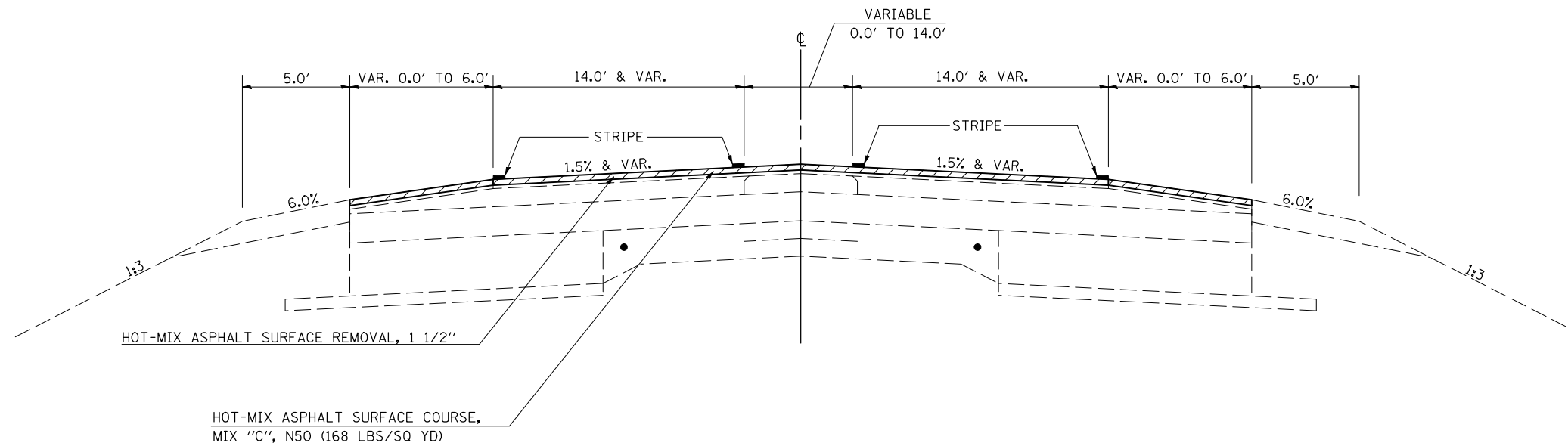


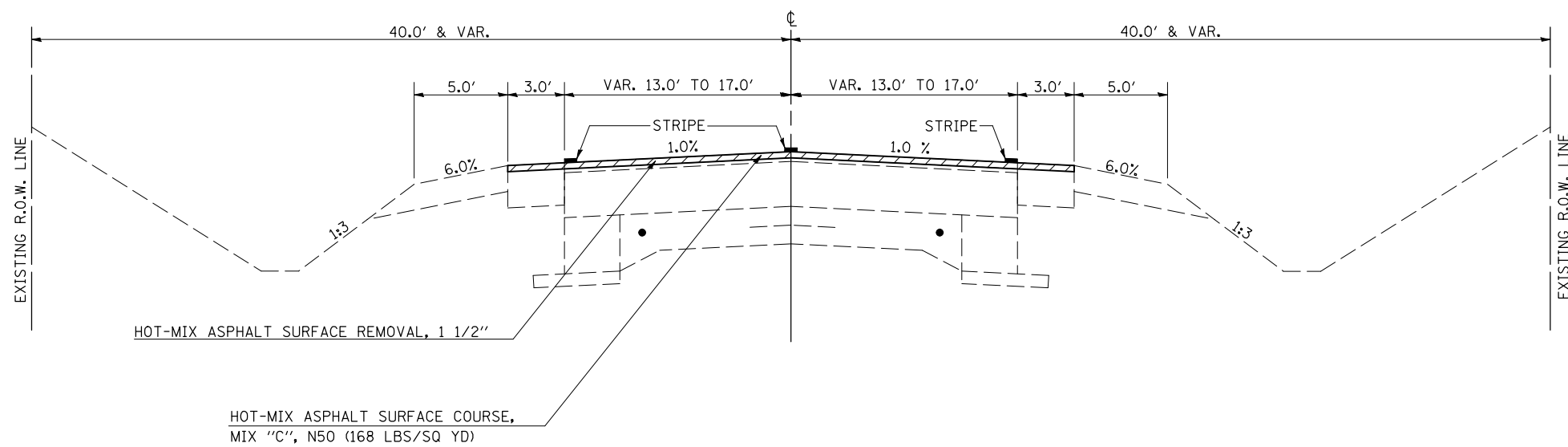
③ PROPOSED TYPICAL CROSS-SECTION

② STATION 309+08.95 TO STATION 323+57.45 ④



④ PROPOSED TYPICAL CROSS-SECTION

③ STATION 323+57.45 TO STATION 326+71.43 ⑤



• DOUGLAS & EDGAR

FILE NAME =	USER NAME = shererjm	DESIGNED - SCJ	REVISED -	STATE OF ILLINOIS DEPARTMENT OF TRANSPORTATION	PROPOSED TYPICAL CROSS SECTIONS			F.A.P. RTE.	SECTION	COUNTY	TOTAL SHEETS	SHEET NO.
ct:\pwwork\pwwid\DOT\SHERERJM\0115071\0570768-shr-typic01.dgn	DRAWN - JDC	REVISIED -	REVISED -		323	(145,146(RS-3 & 147RS-5)	*	27	10			
PLOT SCALE = 40.0000' / IN.	CHECKED -	REVISIED -	REVISED -		CONTRACT NO. 70760							
PLOT DATE = 11/27/2009	DATE - 01/06/09	REVISIED -	REVISED -		SCALE: N/A	SHEET NO. 2 OF 4 SHEETS	STA.	TO STA.	FED. ROAD DIST. NO.	ILLINOIS FED. AID PROJECT		