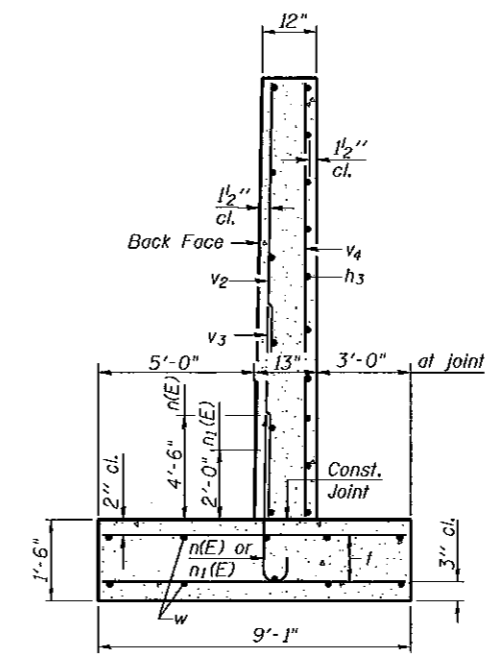


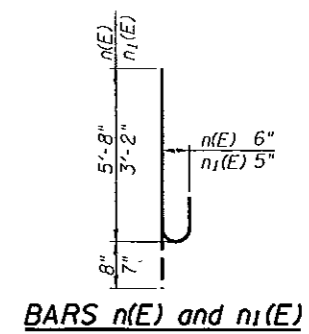
BACK FACE

FRONT FACE

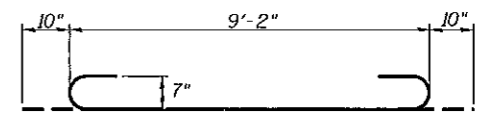
T-TYPE WINGWALL DETAILS



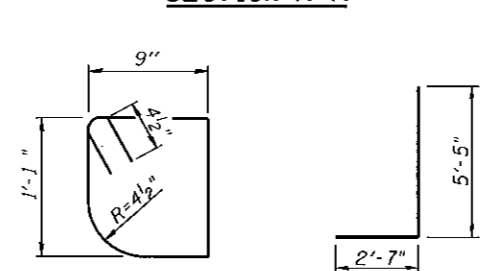
SECTION A-A



BARS n1(E) and n1(E)



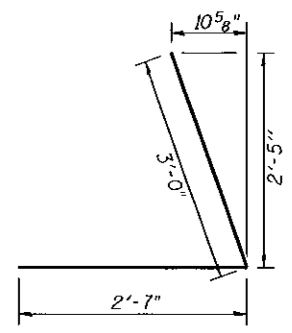
BAR d1



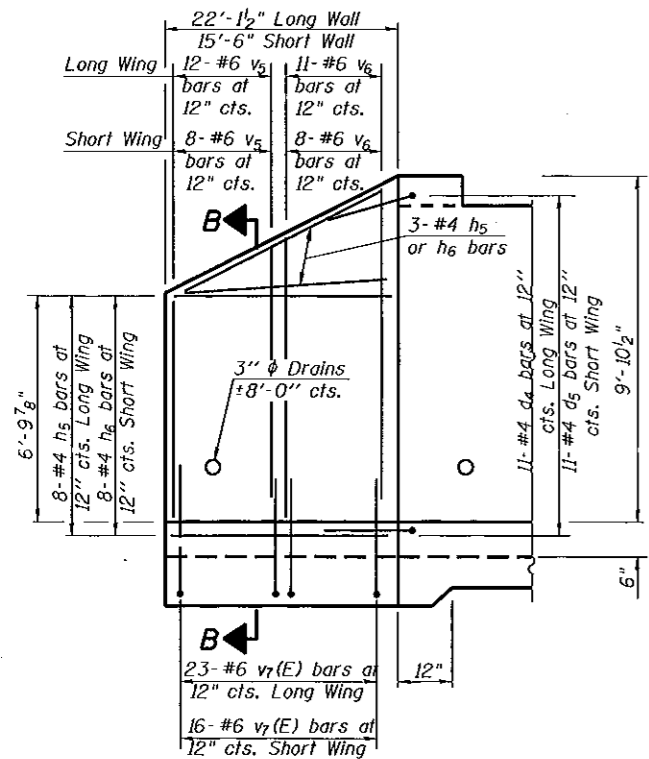
BAR s

BARS v7(E)

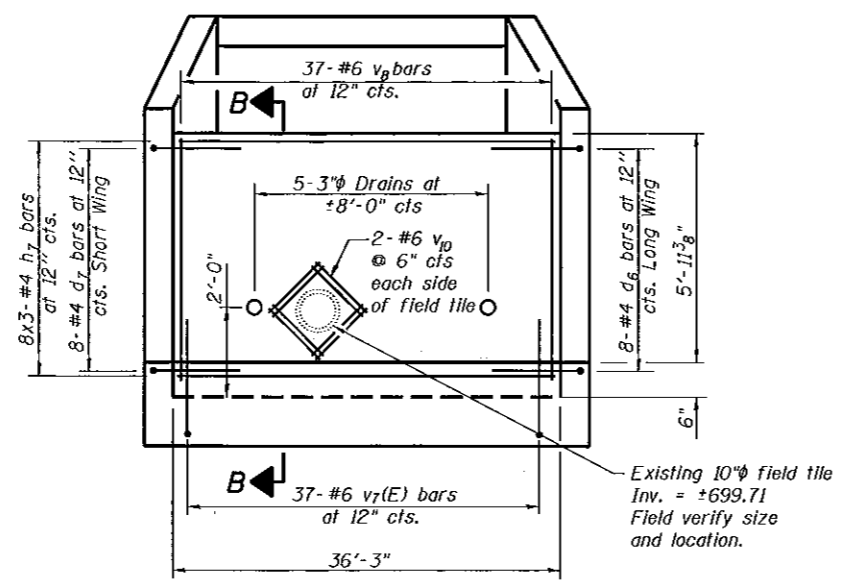
BARS d & d1



BAR d3



WINGWALLS

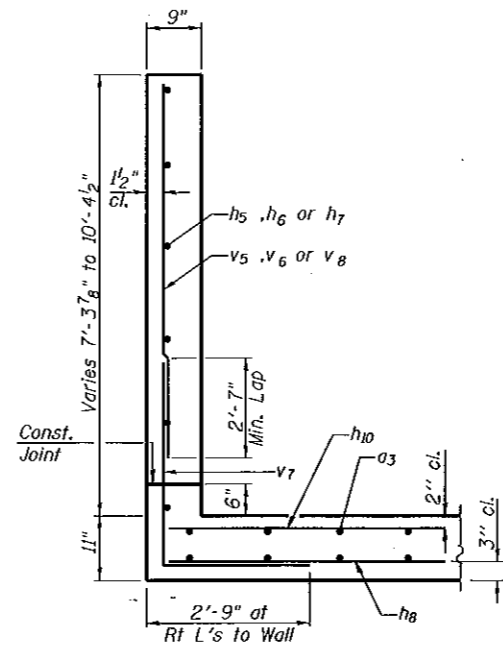


END WALL DROP BOX DETAILS

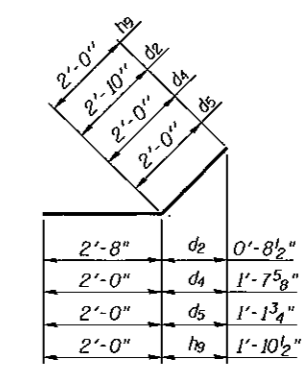
WATERWAY INFORMATION

Drainage Area = 0.2 mi ²		Exist. Low Grade Elev. 711.53 @ Sta. 526+53		Prop. Low Grade Elev. 711.53 @ Sta. 526+53		
Flood	Freq. Yr.	Q C.F.S.	Opening Sq. Ft.	Nat. H.W.E.	Head - Ft.	Headwater El.
			Exist.	Prop.	Exist.	Prop.
Design	10	150	43	46		704.4
Base	50	260	51	53		704.3
Overtopping	100	311	55	57		705.8
Max. Calc.	500	442	64	66		705.6
						707.0
						706.7

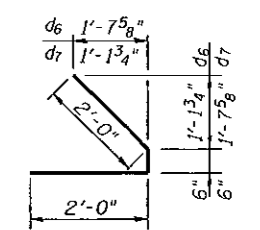
10 year velocity through existing bridge = 3.67 fps
 10 year velocity through prop. bridge = 3.34 fps



SECTION B-B



BARS d2, d4, d5 & h9



BARS d6 & d7

MIN BAR LAP FOR BARREL & WING

- #4 1'-8"
- #5 2'-0"
- #6 2'-7"

WING DETAILS
 US 150 OVER DITCH
 CHAMPAIGN COUNTY
 STATION 526+53.00
 STRUCTURE NO. 010-8125

SHEET NO. 2	F.A.S. RTE.	SECTION	COUNTY	TOTAL SHEETS	SHEET NO.
	1517	12BR	CHAMPAIGN	30	11
3 SHEETS	FED. ROAD DIST. NO.		ILLINOIS	FED. AID PROJECT	
			CONTRACT NO. 70584		