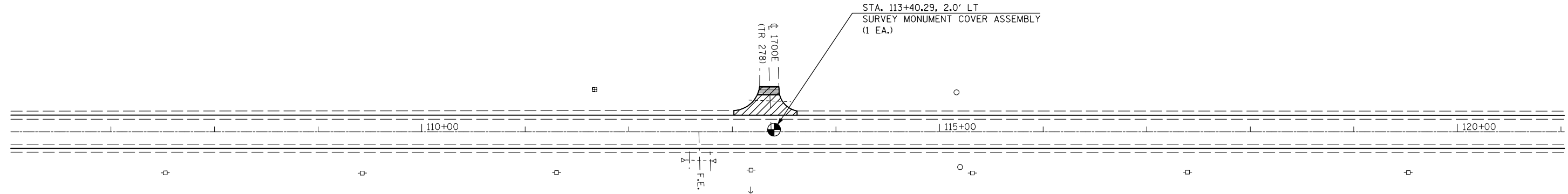


SEC. 35 - T 22 N - R 2 E - 3RD PM

SEC. 36 - T 22 N - R 2 E - 3RD PM

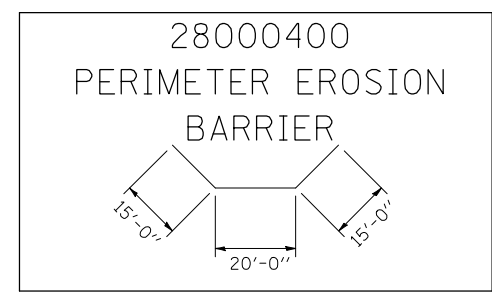
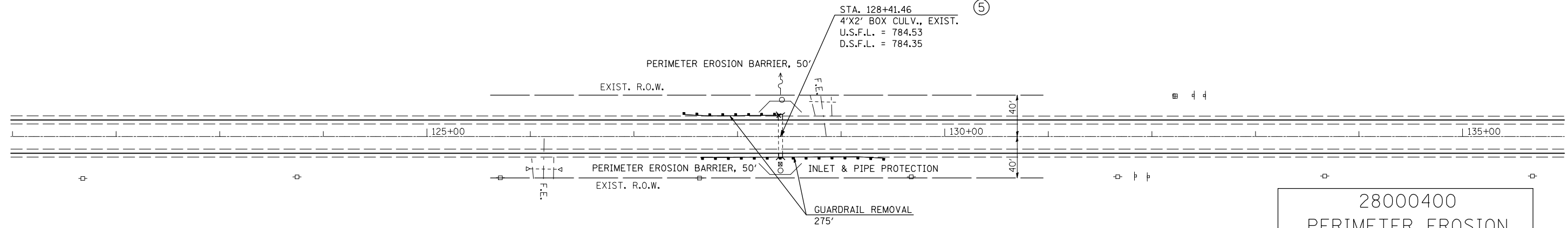


- INCIDENTAL HMA SURFACING 2 1/4"
- TEMPORARY RAMP

SEC. 2 - T 21 N - R 2 E - 3RD PM

SEC. 1 - T 21 N - R 2 E - 3RD PM

SEC. 36 - T 22 N - R 2 E - 3RD PM



" " ON N HEADWALL,
STA. 128+39.81, 20.19' LT, ELEV. 788.02

SEC. 1 - T 21 N - R 2 E - 3RD PM

FILE NAME =	USER NAME = bucklesjj	DESIGNED -	REVISED -	STATE OF ILLINOIS DEPARTMENT OF TRANSPORTATION	PLAN SHEET			F.A.P. RTE.	SECTION	COUNTY	TOTAL SHEETS	SHEET NO.		
	ct:\pw\work\p\dot\bucklesjj\d0170848\0570507-sht-plan.dgn	DRAWN -	REVISED -		SCALE:	SHEET NO.	OF SHEETS	STA.	TO STA.	315	•	McLean	115	28
	PLOT SCALE = 100.0000' / IN.	CHECKED -	REVISED -		•(101,102X)R,RS-2 & 55RS-PRK LN CONTRACT NO. 70507									
	PLOT DATE = 12/9/2009	DATE -	REVISED -		ILLINOIS FED. AID PROJECT									