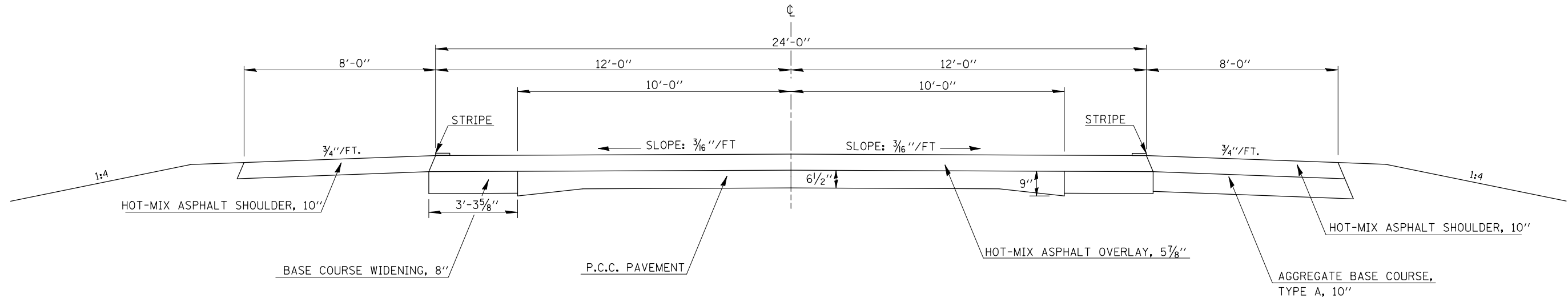


EXISTING TYPICAL CROSS SECTION ③

F.A.P. 315 (U.S. 136)

STATION TO STATION
32+09.75 774+37.60

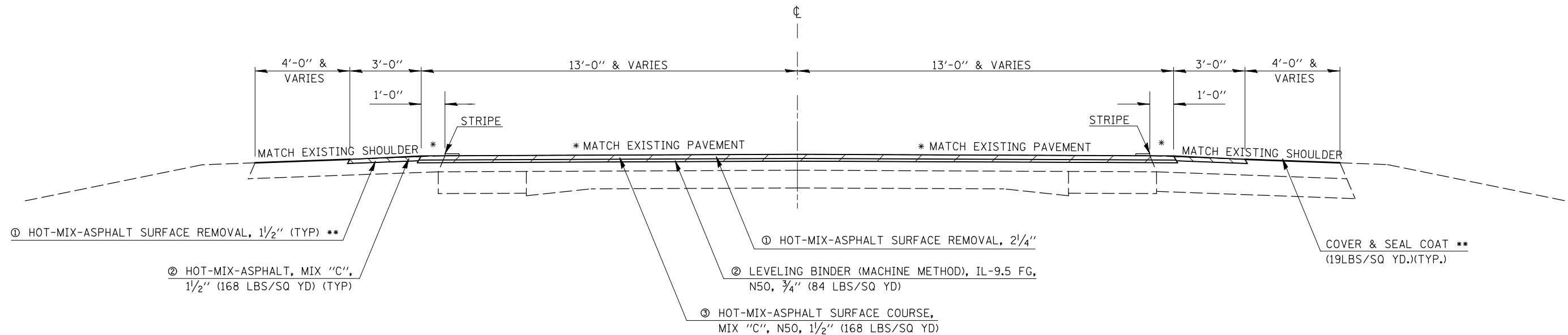


PROPOSED TYPICAL CROSS SECTION ③

F.A.P. 315 (U.S. 136)

STATION TO STATION
32+09.75 774+37.60

STATION EQUATION:
STA. 521+80.00BK = STA. 521+92.10AH
STA. 31+18.60 BK = STA. 31+28.68 AH



** AT LOCATIONS SHOWN ON PLAN SHEETS

FILE NAME =	USER NAME = bucklesJJ	DESIGNED -	REVISED -	STATE OF ILLINOIS DEPARTMENT OF TRANSPORTATION	EXISTING & PROPOSED TYPICAL CROSS SECTIONS	F.A.P. RTE.	SECTION	COUNTY	TOTAL SHEETS	SHEET NO.	
ct:\pwwork\pwwid\BUCKLESJJ\d0170848\070507-sht-typicals.dgn		DRAWN -	REVISED -			315	*	McLean	115	11	
PLOT SCALE = 40.0000 ' / IN.		CHECKED -	REVISED -			*(101,102X)R,RS-2 & 55RS-PRK LN CONTRACT NO. 70507					
PLOT DATE = 12/10/2009		DATE -	REVISED -			ILLINOIS FED. AID PROJECT					
SCALE:						SHEET NO.	OF SHEETS	STA.	TO STA.		