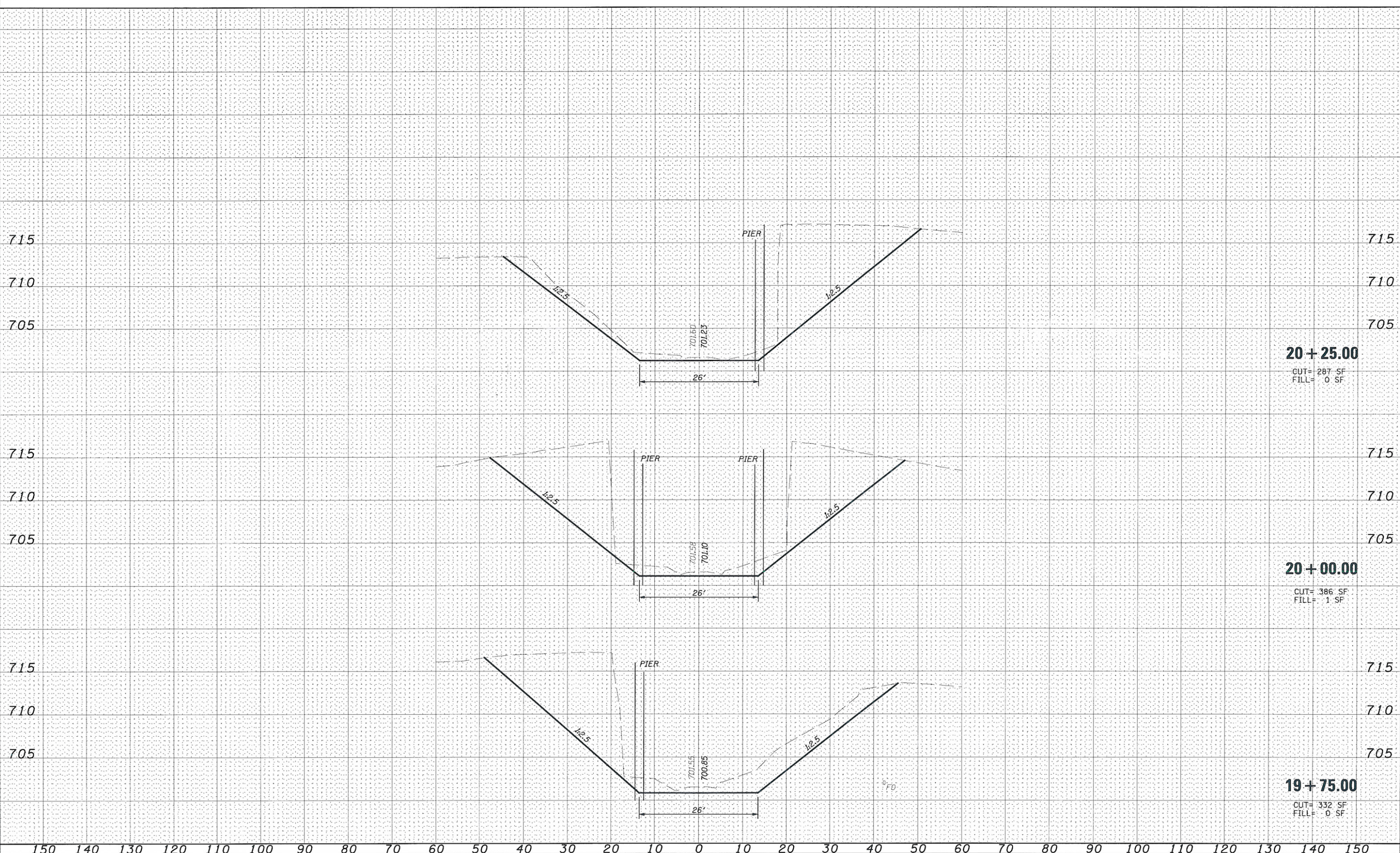


FINAL SURVEY PLOTTED TEMPLATE AREAS CHECKED

SURVEYED PLOTTED TEMPLATE AREAS CHECKED

HR HURST-ROSCHKE ENGINEERS, INC. HILLSBORO, ILLINOIS 62499 (217)532-3399 FAX (217)532-3112



**20 + 25.00**  
CUT= 287 SF  
FILL= 0 SF

**20 + 00.00**  
CUT= 386 SF  
FILL= 1 SF

**19 + 75.00**  
CUT= 332 SF  
FILL= 0 SF

150 140 130 120 110 100 90 80 70 60 50 40 30 20 10 0 10 20 30 40 50 60 70 80 90 100 110 120 130 140 150

FILE NAME = t:\198-1239\_w\1\_wildcat\dgn\0570427-sht-XSSHT2.dgn  
USER NAME = HURST-ROSCHKE  
DESIGNED - JJC  
DRAWN - TWC  
CHECKED - MAR  
DATE - 12-16-09  
PLOT SCALE = 20.0001' / IN.  
PLOT DATE = 12/16/2009

REVISIED -  
REVISIED -  
REVISIED -  
REVISIED -

STATE OF ILLINOIS  
DEPARTMENT OF TRANSPORTATION

WILDCAT SLOUGH DITCH  
CROSS SECTIONS  
SCALE: SHEET NO. 2 OF 3 SHEETS STA. 19+75.00 TO STA. 20+25.00

F.A.P. RTE. 709	SECTION (105BR)BR	COUNTY CHAMPAIGN	TOTAL SHEETS 55	SHEET NO. 54
CONTRACT NO. 70427				
ILLINOIS FED. AID PROJECT				