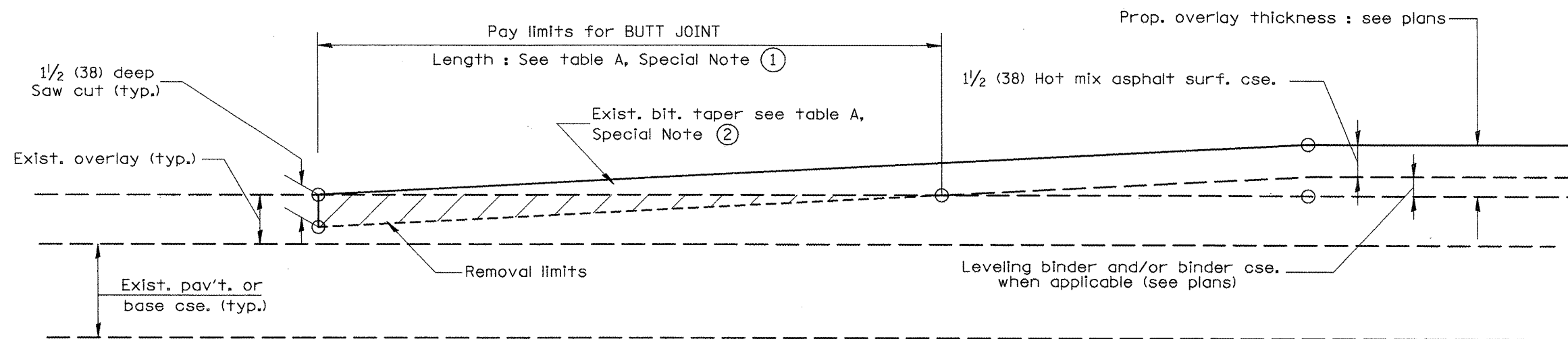
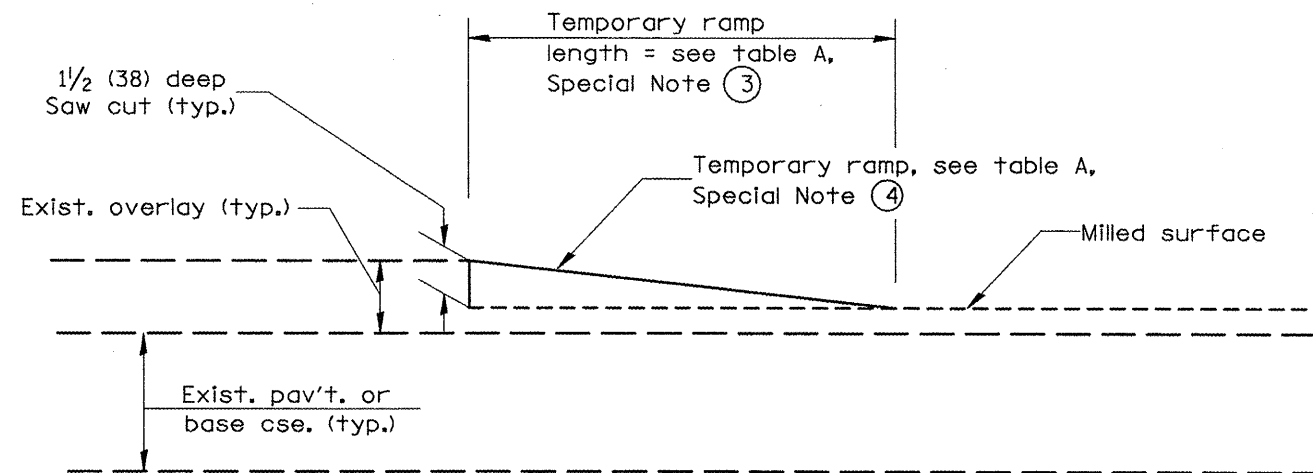


**CASE 3 : WITH HOT MIX ASPHALT SURFACE REMOVAL (COLD MILLING)  
TIE-IN TO EXISTING BITUMINOUS TAPER**



**CASE 4 : NO HOT MIX ASPHALT SURFACE REMOVAL (COLD MILLING)  
TIE-IN TO EXISTING BITUMINOUS TAPER**



**DETAIL TEMPORARY RAMP**

All dimensions are in inches (millimeters) unless otherwise noted.


**STATE OF ILLINOIS  
DEPARTMENT OF TRANSPORTATION**

NOT TO SCALE

**BUTT JOINTS**

SHT. 2 OF 3  
CADD STD. 406101-D4

F.A.P. RTE.	SECTION	COUNTY	TOTAL SHEETS	SHEET NO.
317	17RS-6; 18RS-1; 35RS-8	TAZEWELL WOODFORD	60	41
FED. ROAD DIST. NO. [ILLINOIS] FED. AID PROJECT			CONTRACT NO. 68467	