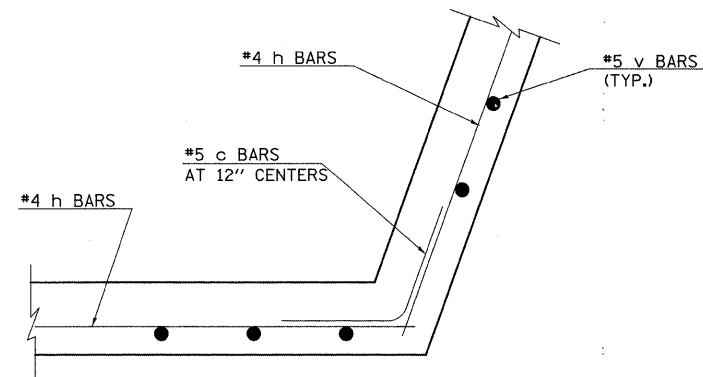
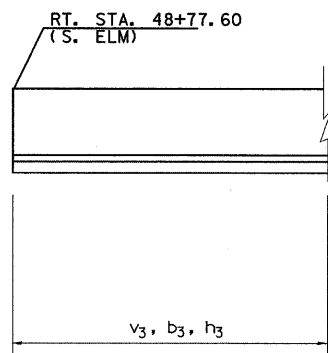


# RETAINING WALL DETAIL

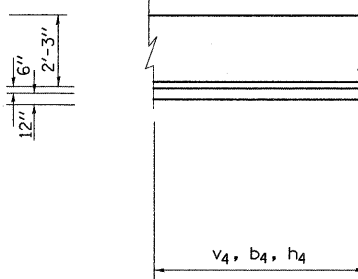


TO BE USED AT CORNERS  
 RT. STA. 49+63.70 (S. ELM)  
 RT. STA. 9+77.03 (IL RTE 96)



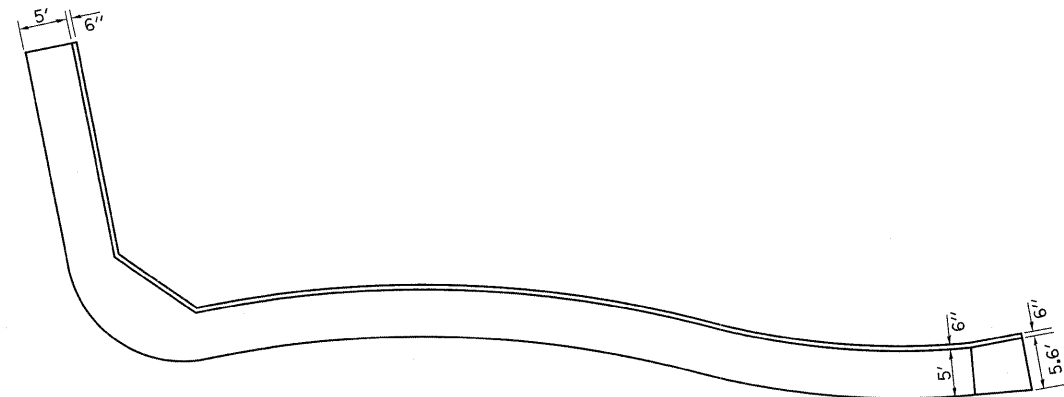
ELEVATION

TO BE USED:  
 RT. STA. 48+77.60 TO  
 STA. 49+63.70 (S. ELM)

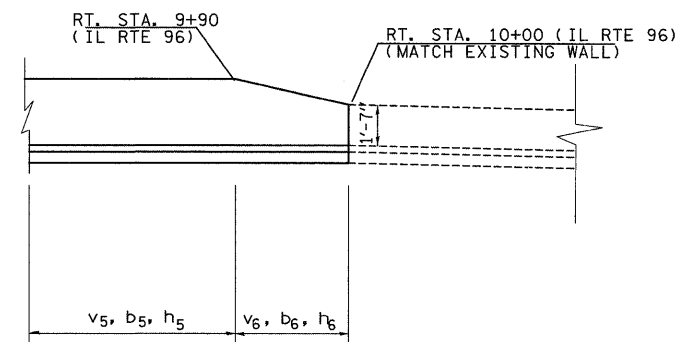


ELEVATION

TO BE USED:  
 RT. STA. 49+63.70 (S. ELM) TO  
 RT. STA. 9+77.03 (IL RTE 96)



PLAN

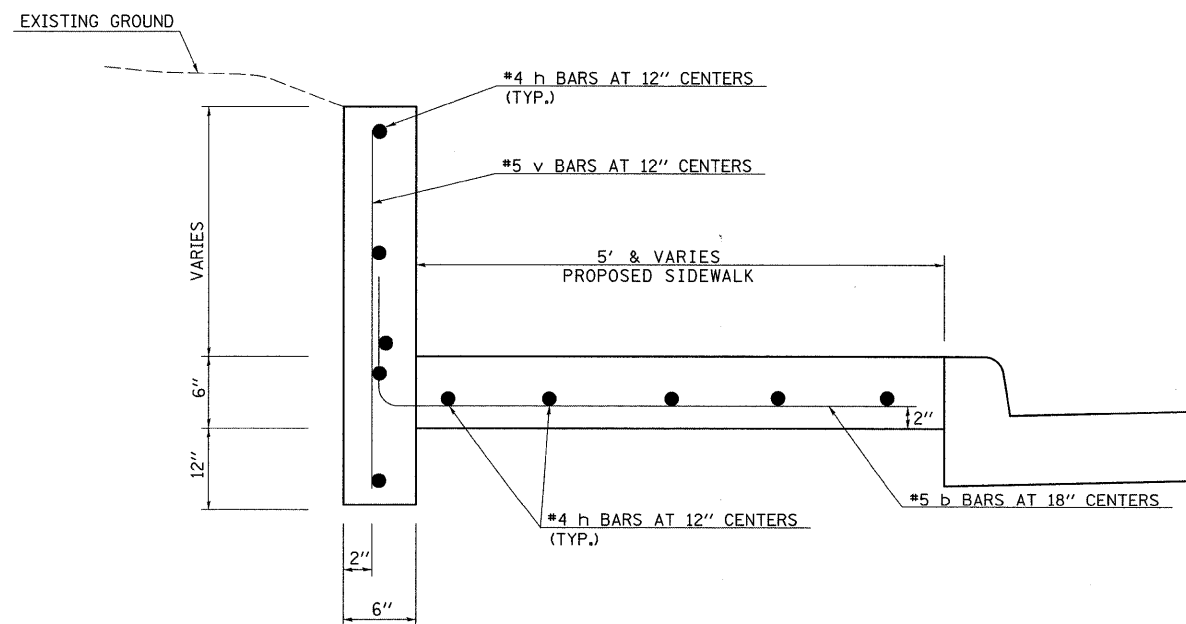


ELEVATION

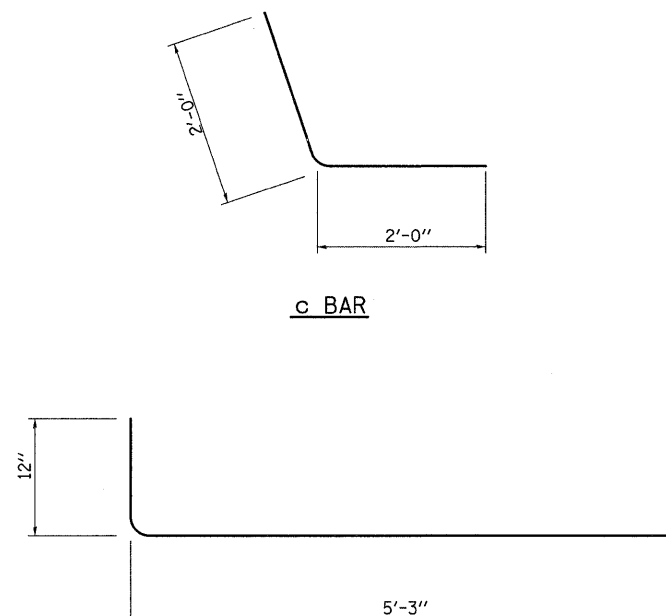
TO BE USED:  
 RT. STA. 9+77.03 TO  
 STA. 10+10 (IL RTE 96)

## BILL OF MATERIALS

BAR	NO.	SIZE	LENGTH	SHAPE
c	8	#5	4.00'	L
v <sub>3</sub>	89	#5	3.45'	—
b <sub>3</sub>	59	#5	6.25'	L
h <sub>3</sub>	50	#4	19.25'	—
v <sub>4</sub>	11	#5	3.45'	—
b <sub>4</sub>	7	#5	6.38' AVE.	L
h <sub>4</sub>	11	#4	12.4' AVE.	—
v <sub>5</sub>	13	#5	3.45'	—
b <sub>5</sub>	9	#5	6.25'	L
h <sub>5</sub>	10	#4	14.97'	—
v <sub>6</sub>	10	#5	3.12' AVE.	—
b <sub>6</sub>	7	#5	6.25'	L
h <sub>6</sub>	10	#4	12.00'	—
REINFORCEMENT BARS			1920	POUND
CONCRETE STRUCTURES			20.4	CU. YD.
PROTECTIVE COAT			109	SQ. YD.



RETAINING WALL



b BAR  
 b<sub>3</sub>, b<sub>5</sub>, b<sub>6</sub>

CONTROL JOINTS @ 5'-0" O.C.