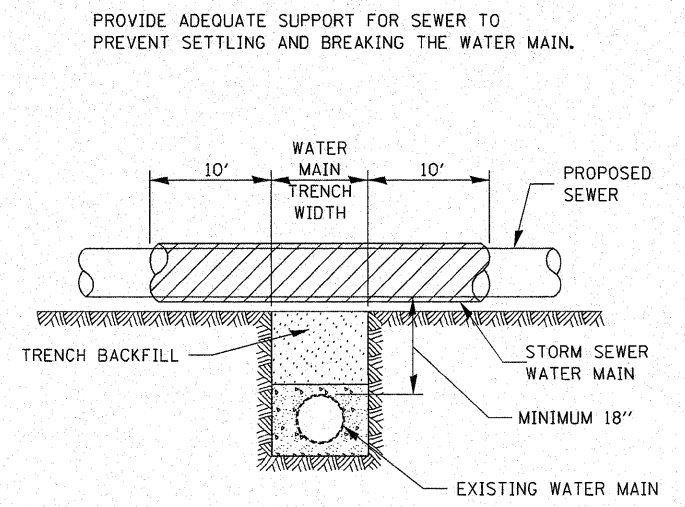


ELEVATION - ECCENTRIC

ELEVATION - CONCENTRIC

CASING SHALL BE CAST IRON WITH AN INSIDE DIAMETER 2" LARGER IN DIAMETER THAN ENCASED PIPE OUTSIDE DIAMETER WITH BOTH ENDS OF CASING SEALED

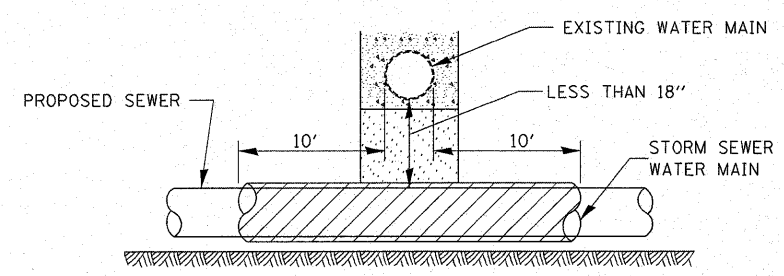
AT GRADE CROSSING OF SANITARY AND STORM SEWER



EXISTING WATER MAIN BELOW PROPOSED SEWER LINE WITH MINIMUM 18" VERTICAL SEPARATION

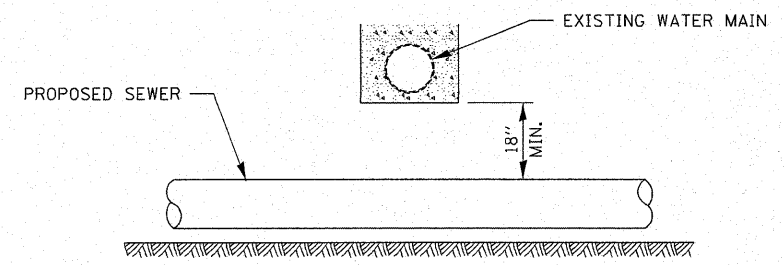
POINT LOADS SHALL NOT BE ALLOWED BETWEEN SEWER OR SEWER CASING AND WATER MAIN

PROVIDE ADEQUATE SUPPORT FOR EXISTING WATER MAIN TO PREVENT DAMAGE DUE TO SETTLEMENT OF SEWER TRENCH



PROVIDE ADEQUATE SUPPORT FOR EXISTING WATER MAIN TO PREVENT DAMAGE DUE TO SETTLEMENT OF SEWER TRENCH

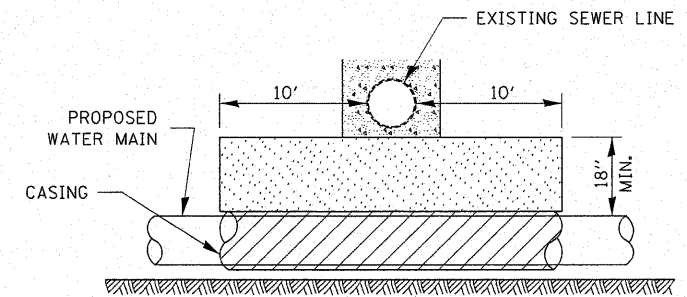
MAINTAIN 18" MINIMUM VERTICAL SEPARATION FOR 10' HORIZONTALLY



PROPOSED SEWER LINE BELOW EXISTING WATER MAIN

PROVIDE ADEQUATE SUPPORT FOR EXISTING SEWER LINE TO PREVENT DAMAGE DUE TO SETTLEMENT

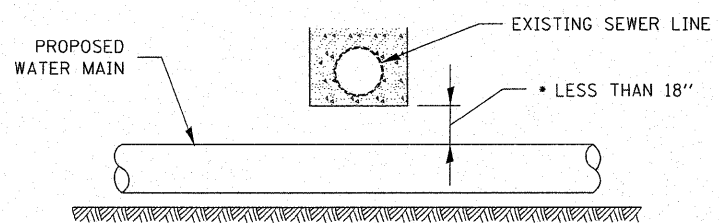
PLACE TRENCH BACKFILL FOR 10' ON EITHER SIDE OF SEWER LINE



CASING SHALL BE CAST IRON WITH AN INSIDE DIAMETER 2" LARGER IN DIAMETER THAN ENCASED PIPE OUTSIDE DIAMETER WITH BOTH ENDS OF CASING SEALED

PROVIDE ADEQUATE SUPPORT FOR EXISTING WATER MAIN TO PREVENT DAMAGE DUE TO SETTLEMENT OF SEWER TRENCH

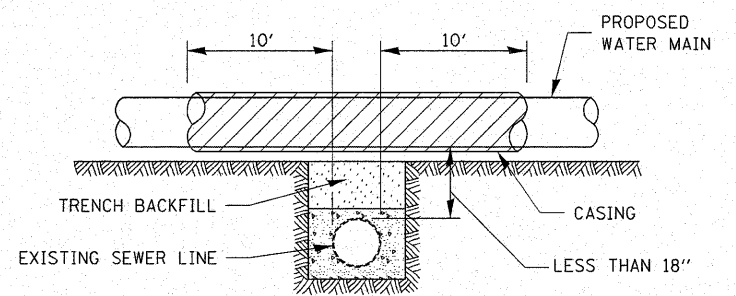
MAINTAIN 18" MINIMUM VERTICAL SEPARATION FOR 10' HORIZONTALLY



• NOT ALLOWED
MUST MAINTAIN 18" VERTICAL SEPARATION

PROPOSED WATER MAIN BELOW EXISTING SEWER LINE

POINT LOADS SHALL NOT BE ALLOWED BETWEEN WATER MAIN OR WATER MAIN CASING AND SEWER



CASING SHALL BE CAST IRON WITH AN INSIDE DIAMETER 50 LARGER IN DIAMETER THAN ENCASED PIPE OUTSIDE DIAMETER WITH BOTH ENDS OF CASING SEALED

PROPOSED WATER MAIN ABOVE EXISTING SEWER LINE

FILE NAME =	USER NAME = IDOTCAD	DESIGNED - SPF	REVISED -	STATE OF ILLINOIS DEPARTMENT OF TRANSPORTATION	SEWER AND WATER MAIN CROSSING	F.A.P. RTE.	SECTION	COUNTY	TOTAL SHEETS	SHEET NO.
W:\2183.03-100T IL 116 Plans\DCN\Sheet Files\202300DET.dgn	DRAWN - FJS	REVISED -	681			114 RS-2	LIVINGSTON	63	43	
PLOT SCALE = 1.0000' / IN.	CHECKED - JMS	REVISED -	CONTRACT NO. 66532							
PLOT DATE = 9/18/2009	DATE - 09/25/09	REVISED -	FED. ROAD DIST. NO. ILLINOIS FED. AID PROJECT							
				SCALE:	SHEET NO. 05 OF 09 SHEETS	STA.	TO STA.			