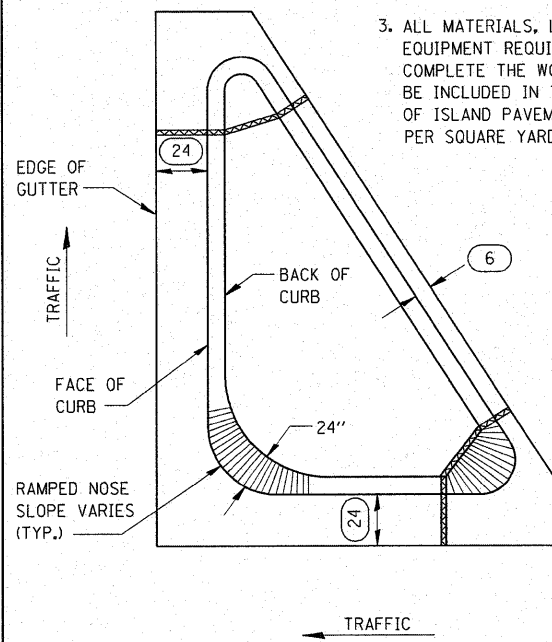


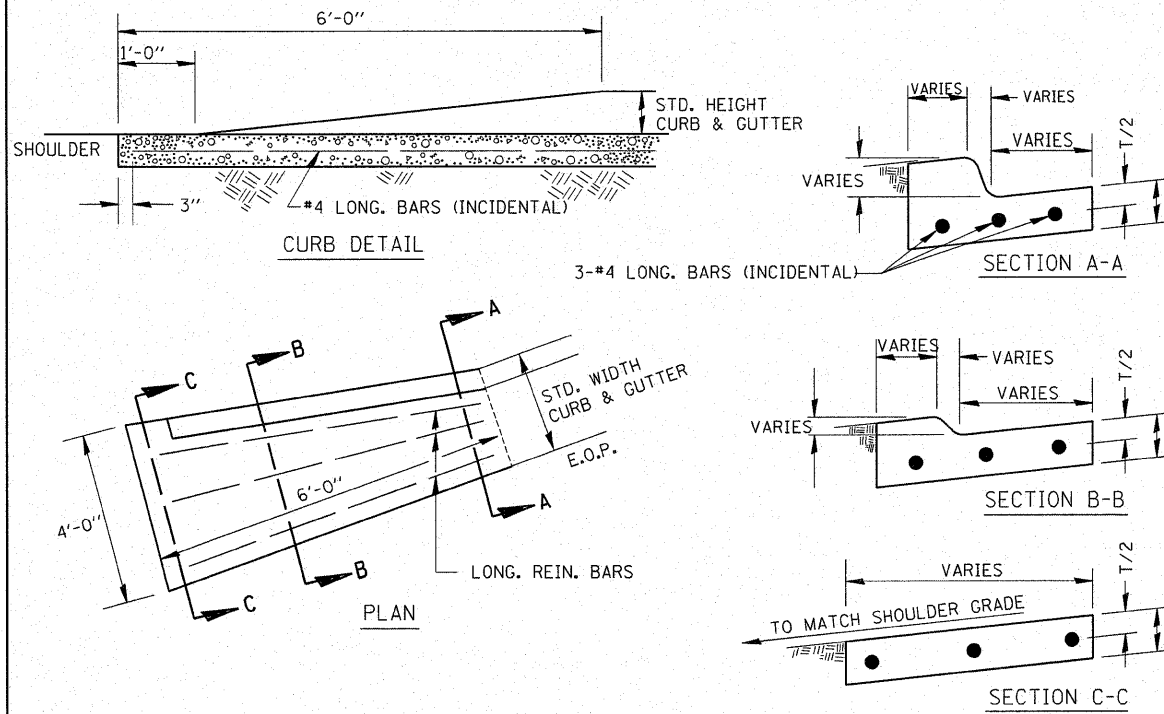
**GENERAL NOTES:**

1. THE CURB AND GUTTER CONFIGURATION SHALL BE M-6.
2. SEE STD. 606001 & AND 606301 FOR ADDITIONAL DETAILS.
3. ALL MATERIALS, LABOR, AND EQUIPMENT REQUIRED TO COMPLETE THE WORK SHALL BE INCLUDED IN THE COST OF ISLAND PAVEMENT (SPECIAL) PER SQUARE YARD.



**ISLAND PAVEMENT (SPECIAL)**

606-1



**NOTE:**

COST TO BE INCLUDED IN THE UNIT PRICE PER FOOT OF COMBINATAION CURB AND GUTTER OF THE TYPE SPECIFIED.

**CURB & GUTTER OUTLET**

606-8

FILE NAME = W:\2183.03-100T IL 116 Plans\DCN\Sheet Files\202300DET.dgn	USER NAME = IDOTCAD	DESIGNED - SPF	REVISED -	<b>STATE OF ILLINOIS DEPARTMENT OF TRANSPORTATION</b>	<b>DETAILS</b>		F.A.P. RTE.	SECTION	COUNTY	TOTAL SHEETS	SHEET NO.
	PLOT SCALE = 1/8" = 1' / IN.	DRAWN - FJS	REVISED -				681	114 RS-2	LIVINGSTON	63	41
PLOT DATE = 9/18/2009	CHECKED - JMS	REVISIED -	REVISED -		CONTRACT NO. 66532			ILLINOIS FED. AID PROJECT			
	DATE - 09/25/09	REVISED -	REVISED -		SCALE:	SHEET NO. 03 OF 09 SHEETS	STA.			TO STA.	