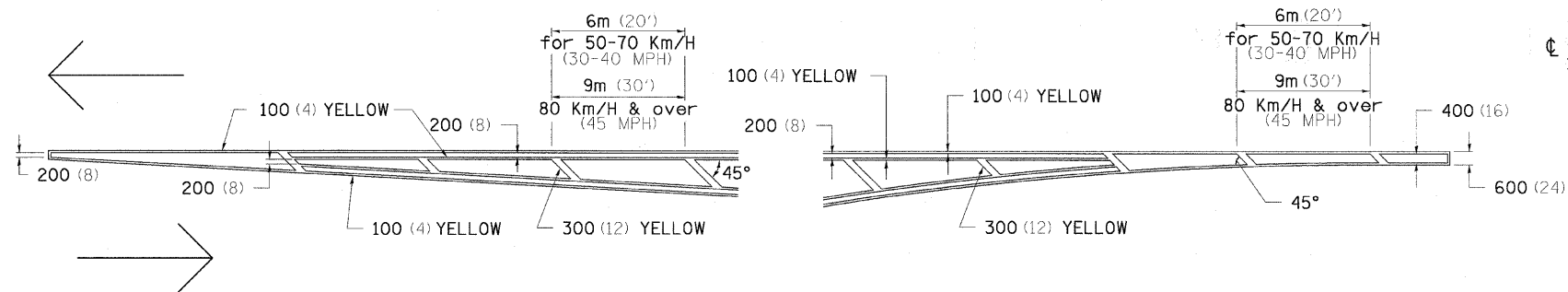
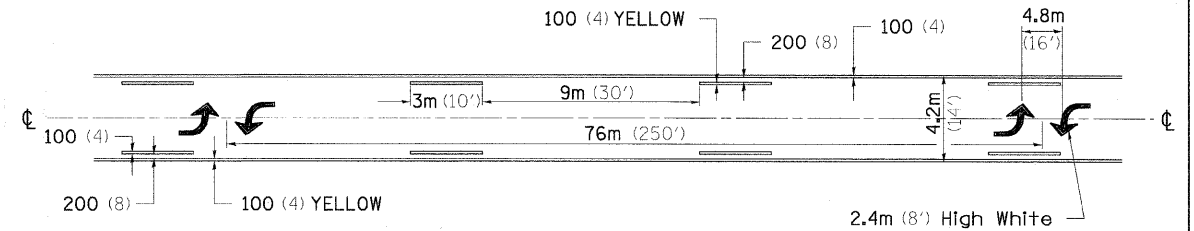


TYPICAL PAVEMENT MARKINGS

TYPICAL PAVEMENT MARKING FOR FLUSH MEDIAN AT LEFT TURN LANE

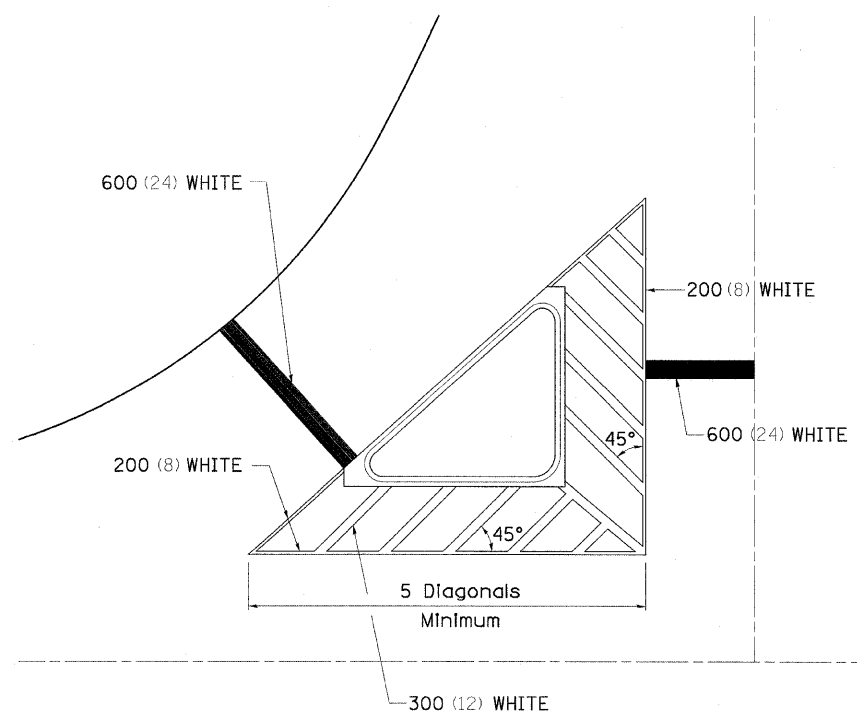


MEDIAN PAVEMENT MARKING

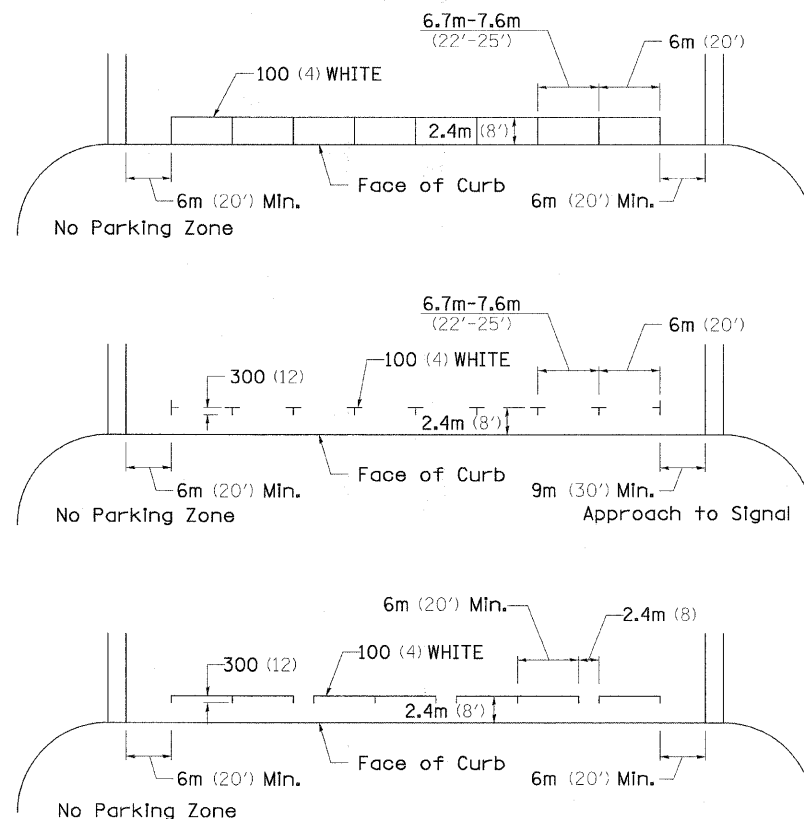


** ALL DIMENSIONS ARE IN MILLIMETERS (INCHES) UNLESS OTHERWISE NOTED.

TYPICAL ISLAND OFFSET SHOULDER WIDTH

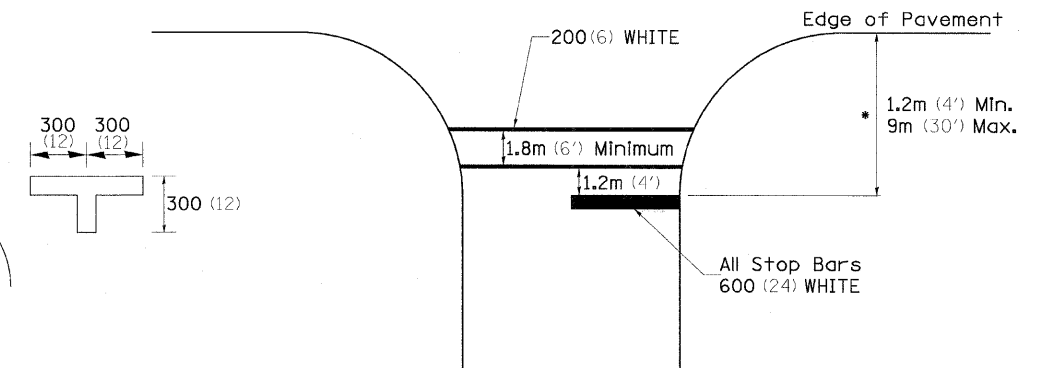


TYPICAL PARKING SPACING



STANDARD CROSSWALK MARKING

See Schedules for Locations



* Distance to the nearest edge of the intersecting roadway in the absence of a marked crosswalk.

TYPICAL PAVEMENT MARKINGS SHEET 1 OF 3 41.1

FILE NAME =	USER NAME = @USER#	DESIGNED -	REVISED - 10-21-08	STATE OF ILLINOIS DEPARTMENT OF TRANSPORTATION	REGION 2 / DISTRICT 2 STANDARD			F.A. RTE.	SECTION	COUNTY	TOTAL SHEETS	SHEET NO.
H:\Project\2945\GNS\09209507\209507S	D2.dgn	DRAWN -	REVISED -					301	1-HBR-2	WINNEBAGO	57	51
	PLOT SCALE = 0.9500 "/> <td>CHECKED -</td> <td>REVISED -</td> <td colspan="4" style="text-align: center;">CONTRACT NO. 64D50</td>	CHECKED -	REVISED -					CONTRACT NO. 64D50				
	PLOT DATE = 11/13/2009	DATE -	REVISED -					FED. ROAD DIST. NO. ILLINOIS FED. AID PROJECT				