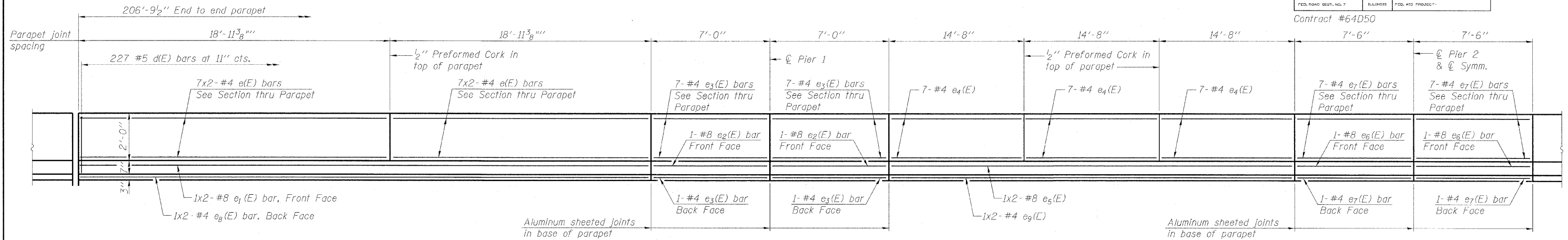


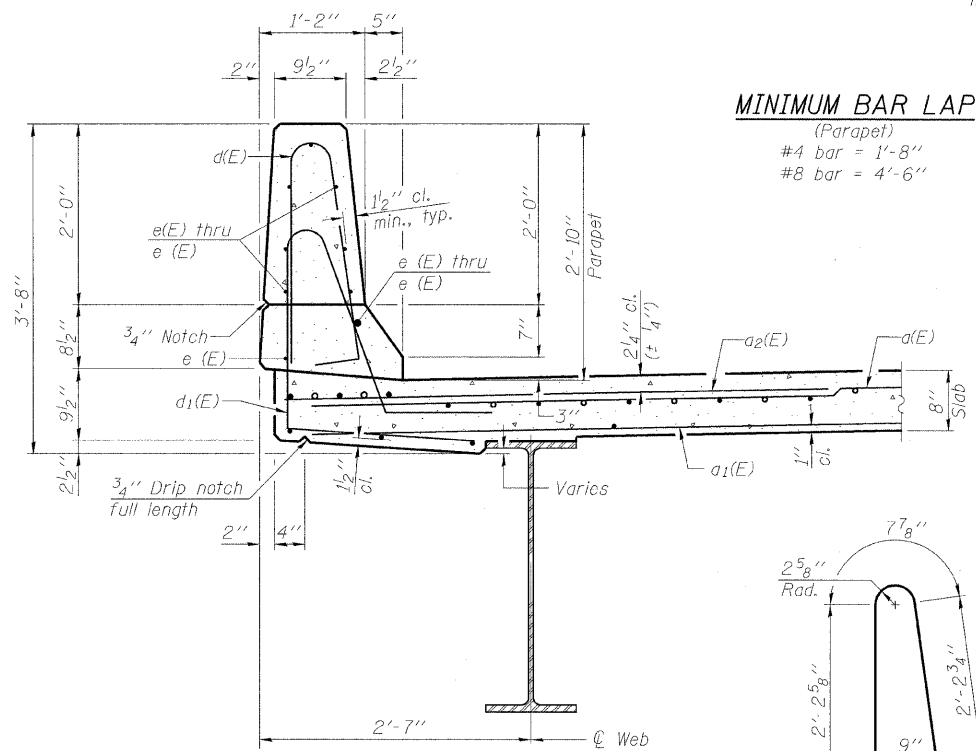
STATE OF ILLINOIS
DEPARTMENT OF TRANSPORTATION

ROUTE NO.	SECTION	COUNTY	TOTAL SHEETS	SHEET NO.	SHEET NO. 9
F.A.P. 301	1-HBR-2	WINNEBAGO	57	28	27 SHEETS
FED. ROAD DIST. NO. 7	ILLINOIS	FED. AID PROJECT			

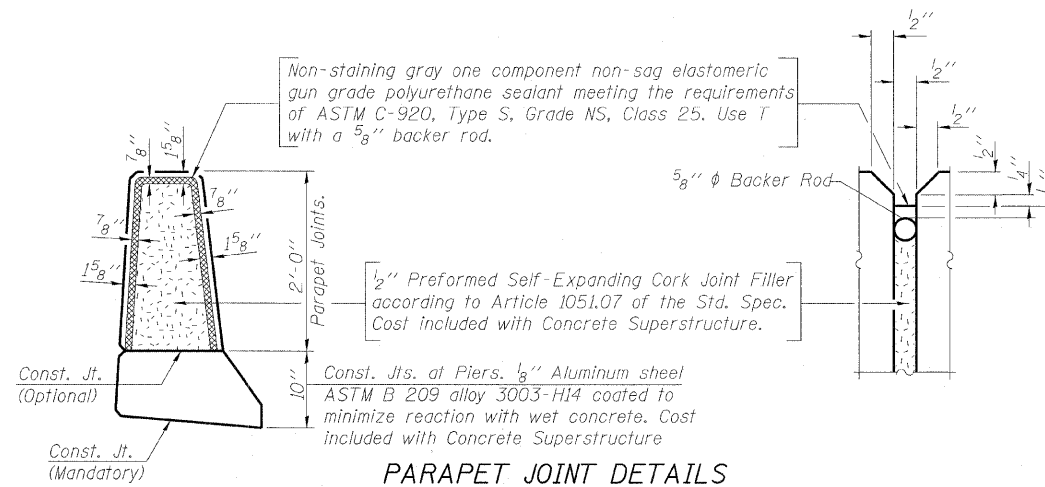
Contract #64D50



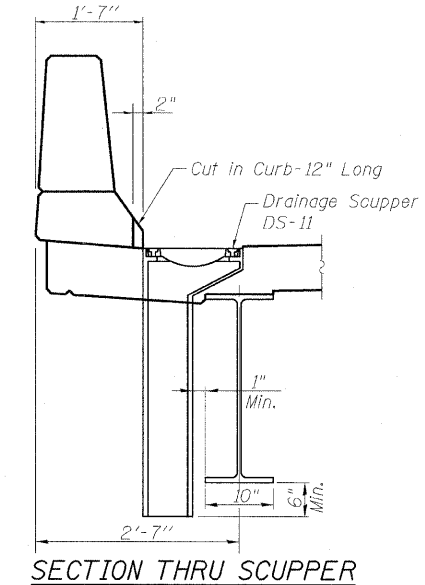
INSIDE ELEVATION OF PARAPET
(SYMMETRICAL @ PIER 2)



SECTION THRU PARAPET



PARAPET JOINT DETAILS



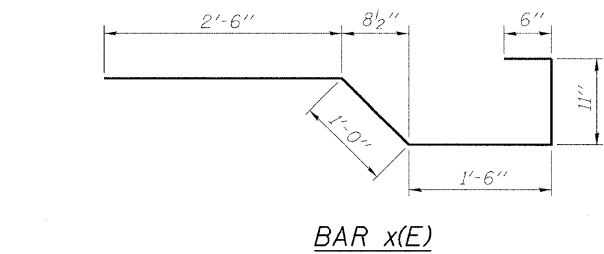
SECTION THRU SCUPPER

SUPERSTRUCTURE
BILL OF MATERIAL

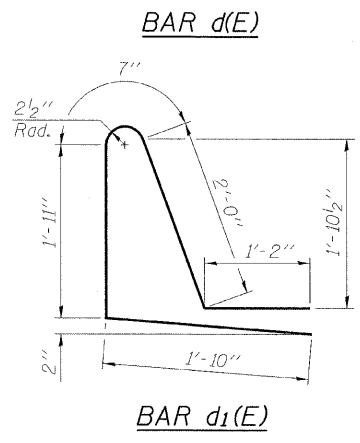
Bar	No.	Size	Length	Shape	
a(E)	382	#5	34'-7"	—	
a1(E)	249	#5	34'-0"	—	
a2(E)	764	#6	6'-0"	—	
a3(E)	40	#6	7'-3"	—	
a4(E)	2	#5	26'-2"	—	
a5(E)	8	#6	36'-0"	—	
a6(E)	16	#5	1'-6"	—	
b(E)	266	#5	31'-5"	—	
b1(E)	72	#6	31'-0"	—	
b2(E)	288	#5	27'-9"	—	
b3(E)	36	#6	33'-4"	—	
d(E)	454	#5	5'-7"	—	
d1(E)	454	#5	7'-6"	—	
e(E)	112	#4	10'-2"	—	
e1(E)	8	#8	21'-1"	—	
e2(E)	8	#8	6'-8"	—	
e3(E)	64	#4	6'-8"	—	
e4(E)	84	#4	14'-4"	—	
e5(E)	8	#8	24'-1"	—	
e6(E)	4	#8	7'-2"	—	
e7(E)	32	#4	7'-2"	—	
e8(E)	8	#4	19'-8"	—	
e9(E)	8	#4	22'-8"	—	
x(E)	70	#5	6'-5"	—	
Reinforcement Bars, Epoxy Coated				Pound	62,750
Concrete Superstructure				Cu. Yds.	246

Bars indicated thus 1x2-#8 etc. indicates 1 line of bars with 2 lengths per line.

DECK SECTION & DETAILS
MERIDIAN ROAD OVER US 20
F.A.P. 301 (US 20) - SEC. 1-HBR-2
WINNEBAGO COUNTY
STATION 100+00
STRUCTURE NO. 101-0096



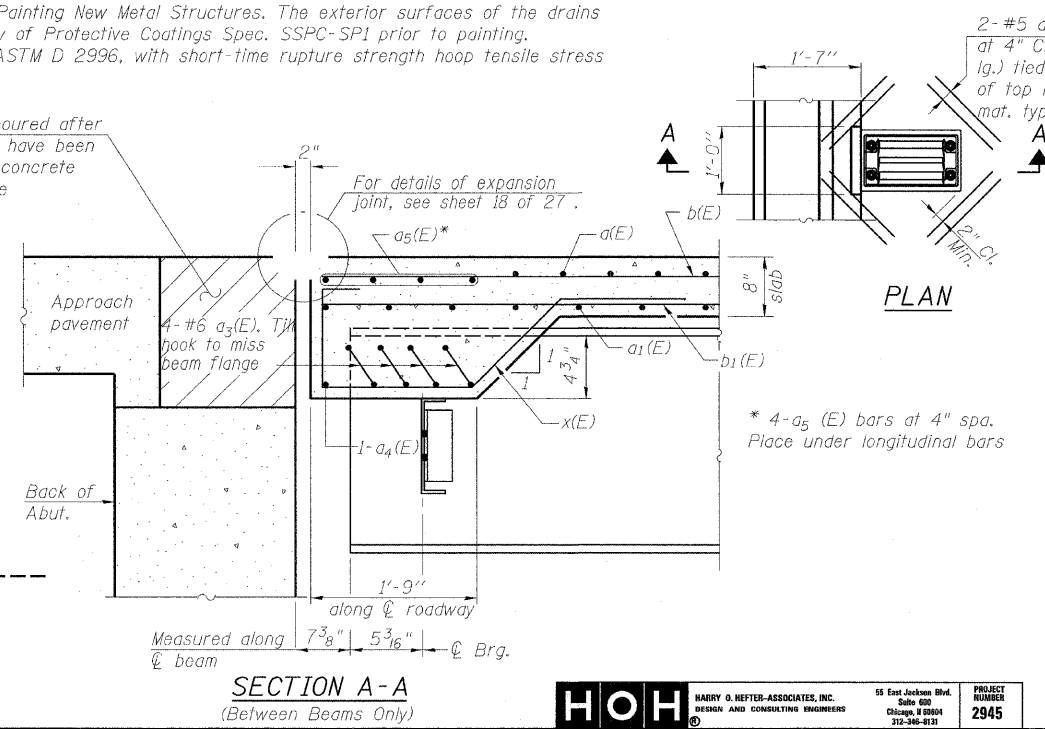
BAR x(E)



BAR d(E)

BAR d1(E)

a3(E) BAR



SECTION A-A
(Between Beams Only)

DESIGNED	GUN / OAO
CHECKED	FCO
DRAWN	TCS / GUN
CHECKED	FCO

HOH HARRY O. HEFFER ASSOCIATES, INC.
DESIGN AND CONSULTING ENGINEERS
15 East Jackson Blvd. Suite 800 Chicago, IL 60604 312-346-9131 PROJECT NUMBER 2945

11/13/2009 2:54:47 PM HA\Projects\2945\US20\Structural\Meridian Road\Construction Issue\10100096-64D50-009-DECKSECT & DET 1.S.dgn