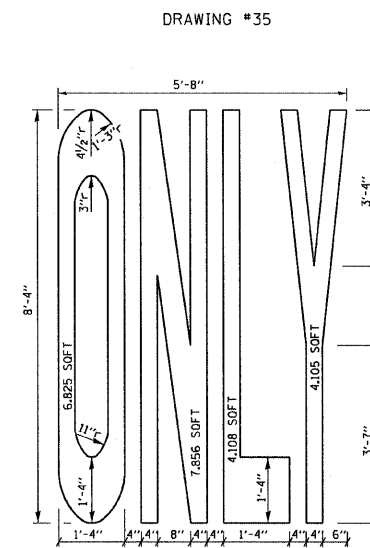
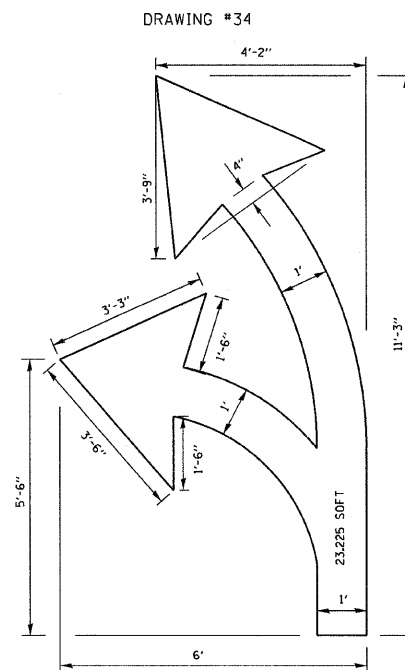
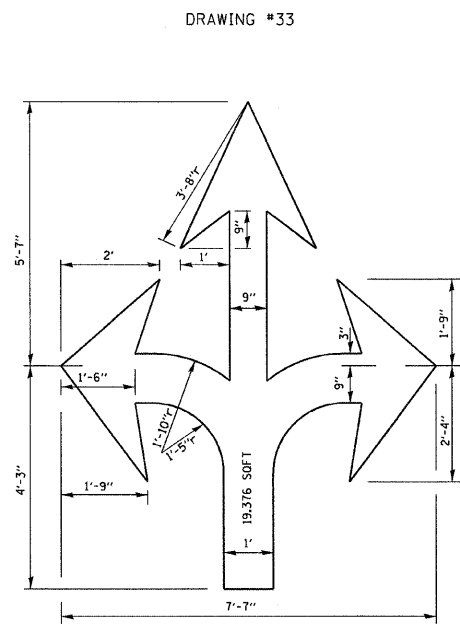
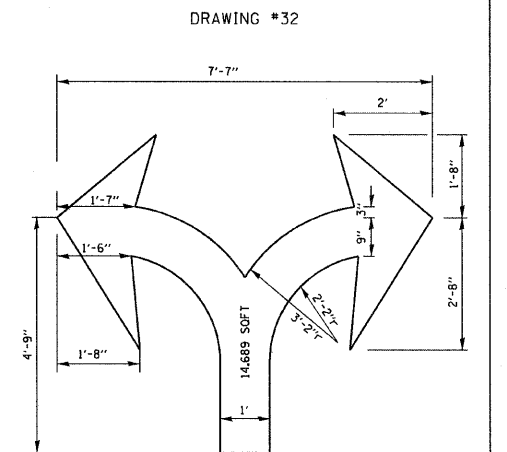
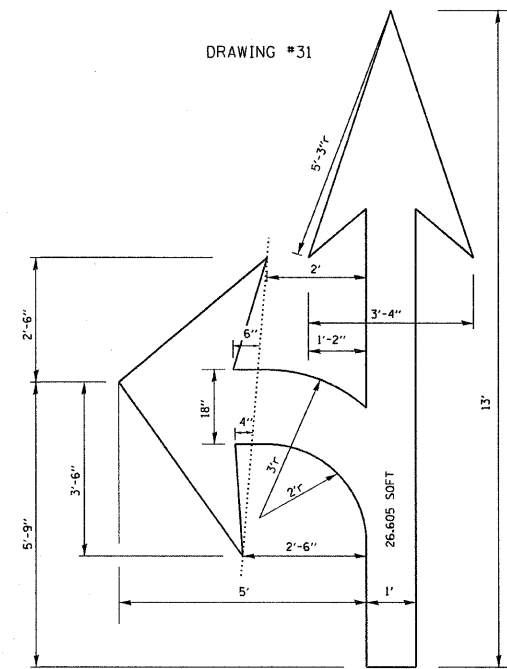
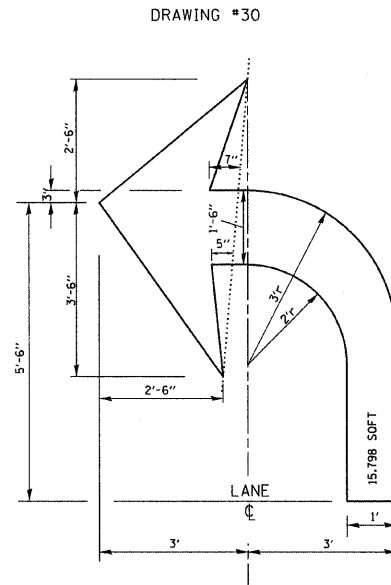
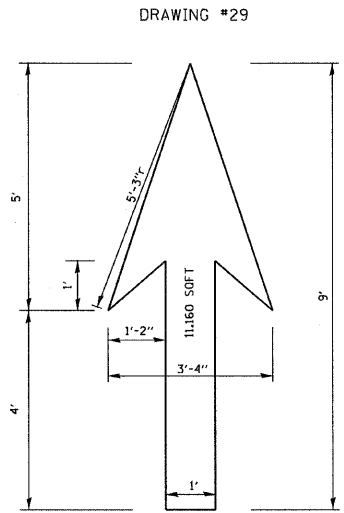


- NOTE:**
- FOR BIKE LANE SYMBOLS ONLY, USE PRE-FORMED THERMOPLASTIC WITH A MINIMUM THICKNESS OF 90 MILS, MINIMUM SKID RESISTANCE VALUE OF 60 BPN, & A MINIMUM INDEX OF REFRACTION OF 1.50.
  - THE RESIDENT ENGINEER SHALL CONTACT MR. BEN GOMBERG AT 312-744-8093 AT LEAST ONE CALENDAR WEEK PRIOR TO INSTALLING BIKE LANE SYMBOLS.

TYPICAL BIKE LANE SYMBOLS  
DRAWING #28



**NOTE:**  
ALL MARKINGS SHALL BE SOLID WHITE UNLESS OTHERWISE NOTED IN THE PLANS

FILE NAME = W:\diststd\22x34\to24.dgn	USER NAME = geglianobt	DESIGNED - DRAWN -	REVISED - REVISED -
	PLOT SCALE = 50.000 1 / IN.	CHECKED -	REVISED -
	PLOT DATE = 1/4/2008	DATE -	REVISED -
		DESIGNED - T. RAMMACHER 12-07-00	REVISED -

STATE OF ILLINOIS  
DEPARTMENT OF TRANSPORTATION

CITY OF CHICAGO TYPICAL PAVEMENT MARKINGS			
SCALE: NONE	SHEET NO. 2 OF 2 SHEETS	STA.	TO STA.

F.A.U. RTE. 370	SECTION 0103 RS-2	COUNTY COOK	TOTAL SHEETS 22	SHEET NO. 21
TC-24		CONTRACT NO. 60109		
FED. ROAD DIST. NO. 1 ILLINOIS FED. AID PROJECT				