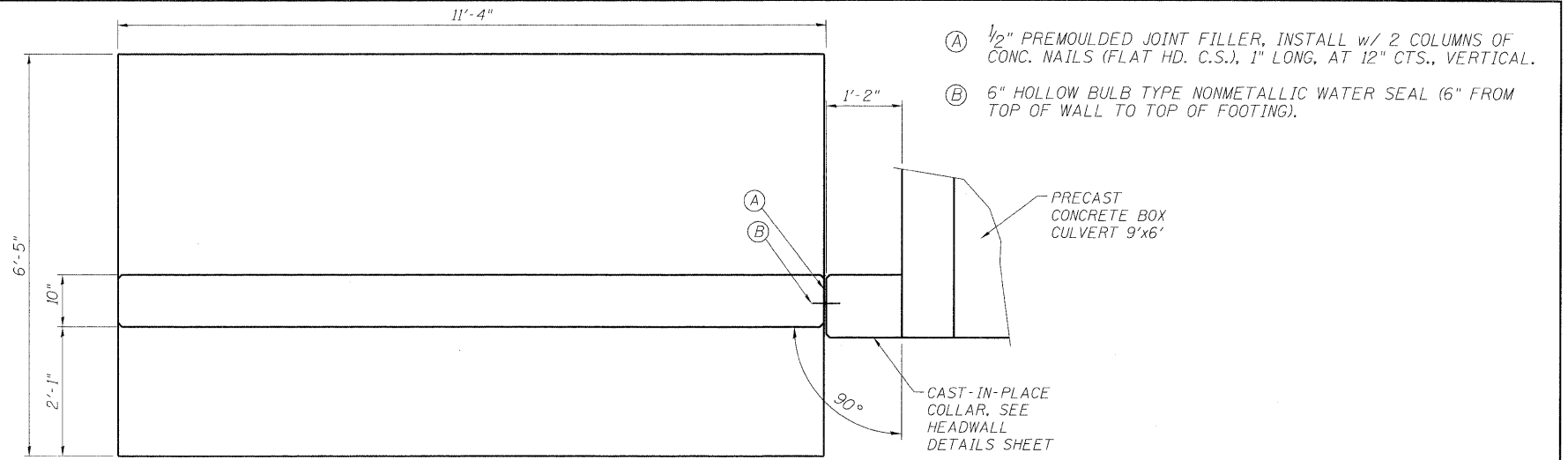


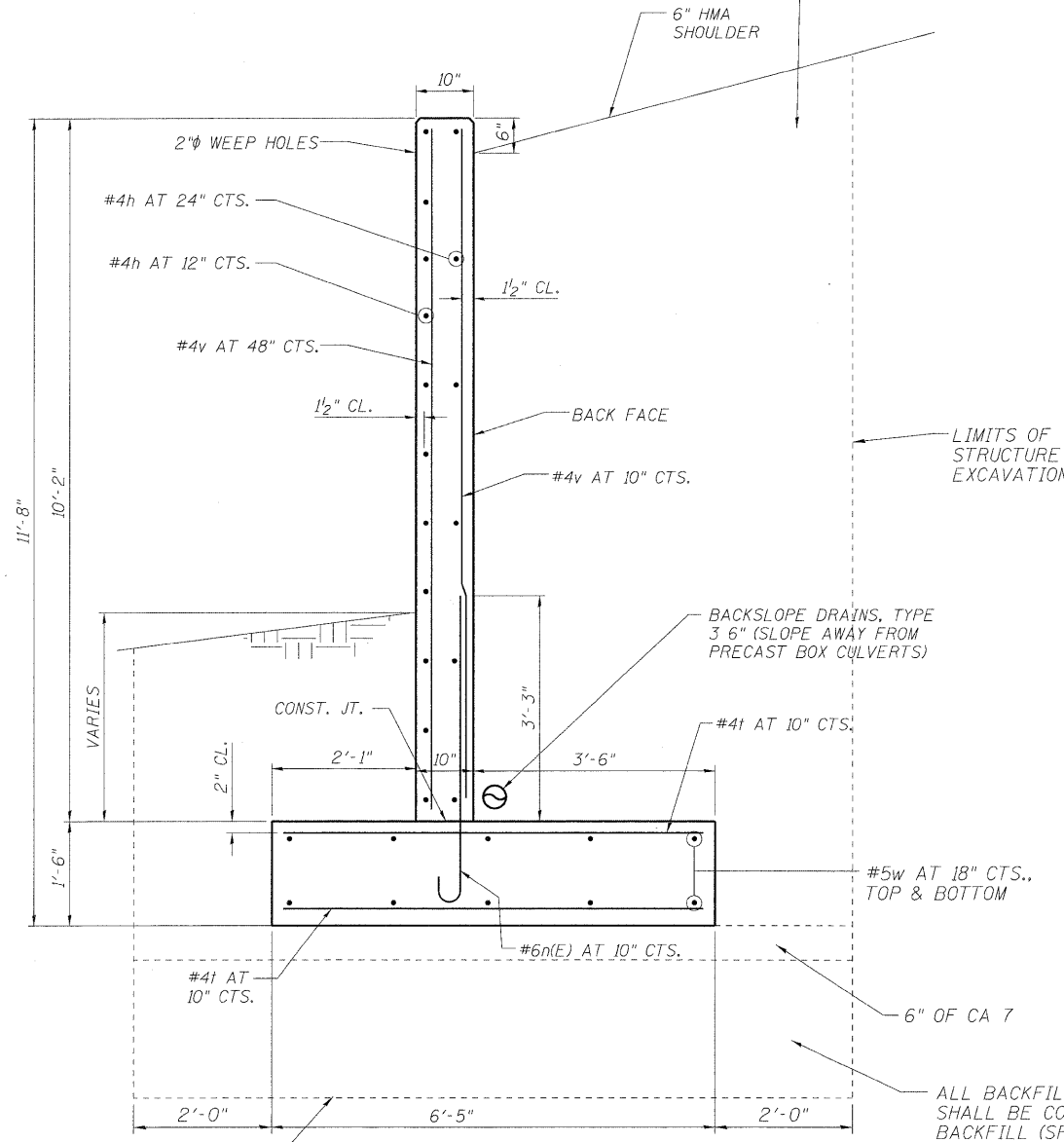
NOTES

1. ALL EDGES SHALL HAVE STANDARD $\frac{3}{4}$ " CHAMFERS, EXCEPT AS NOTED.
2. REINFORCEMENT BARS DESIGNATED (E) SHALL BE EPOXY COATED.
3. SEE HEADWALL DETAILS SHEET FOR BILL OF MATERIAL.
4. PROVIDE PROTECTIVE COAT ON TOP HORIZONTAL SURFACES AND TOP 12" ON INSIDE FACES OF WINGWALLS.
5. THE MAXIMUM DESIGN SOIL BEARING PRESSURE AT THE TOE OF THE WINGWALL FOOTING IS 2600 PSF.
6. THE COST 6" OF CA 7 UNDER WINGWALL SHALL BE INCLUDED IN THE PRECAST CONCRETE BOX CULVERT 9'x6' ITEM.

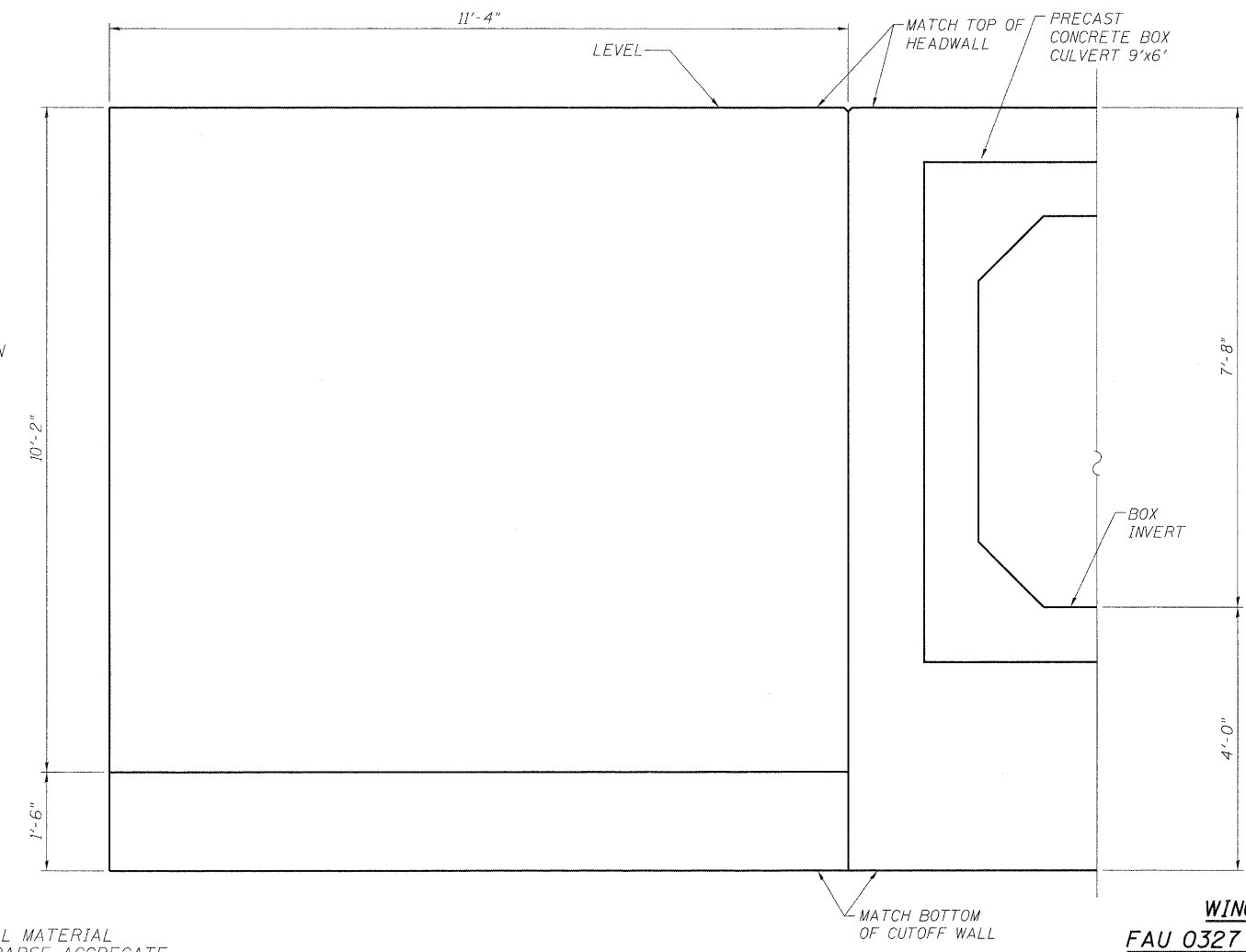
ALL BACKFILL MATERIAL SHALL BE COARSE AGGREGATE BACKFILL (SPECIAL)



PLAN



CROSS SECTION



ELEVATION

WINGWALL DETAILS
FAU 0327 / WEST RIVER ROAD
OVER CREEK (2.6 MI. SOUTH OF IL ROUTE 53
SECTION 112 T-1
WILL COUNTY
STA. 100+00.00
STRUCTURE NO. 099-0521

LIMITS OF REMOVAL AND DISPOSAL OF UNSUITABLE MATERIAL

DESIGNED	ST
CHECKED	WHE
DRAWN	ST
CHECKED	WHE

LONCO, INC.
 CONSULTING ENGINEERS
 1560 WALL ST, SUITE 222
 NAPERVILLE, ILLINOIS 60563 PH: (630) 577-9100

SHEET NO. S3 OF S4 SHEETS	F.A.U. RTE.	SECTION	COUNTY	TOTAL SHEETS	SHEET NO.
	0327	112 T-1	WILL	17	13
D-91-496-09			CONTRACT NO. 60G54		
FED. ROAD DIST. NO.		ILLINOIS FED. AID PROJECT			