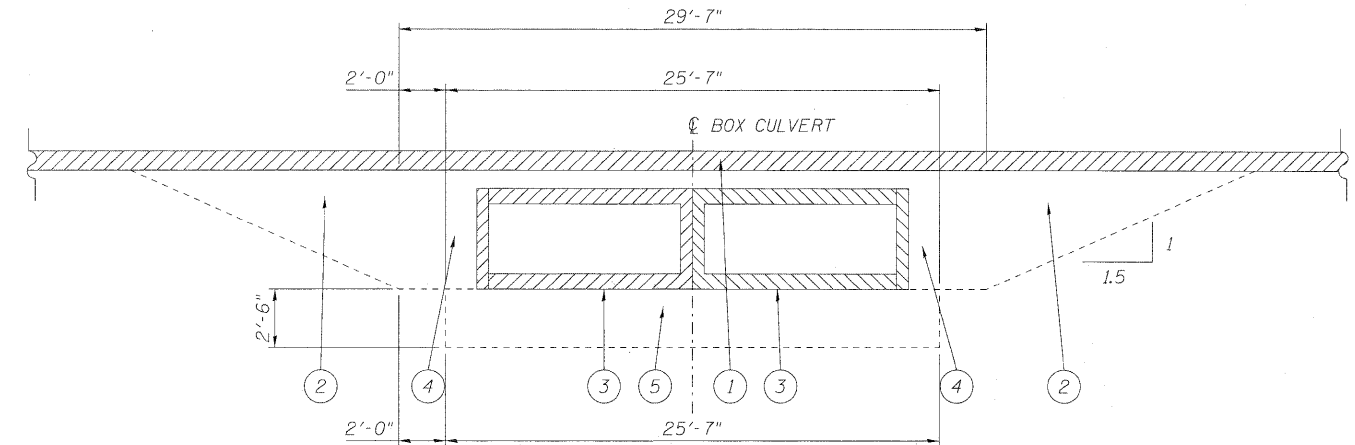


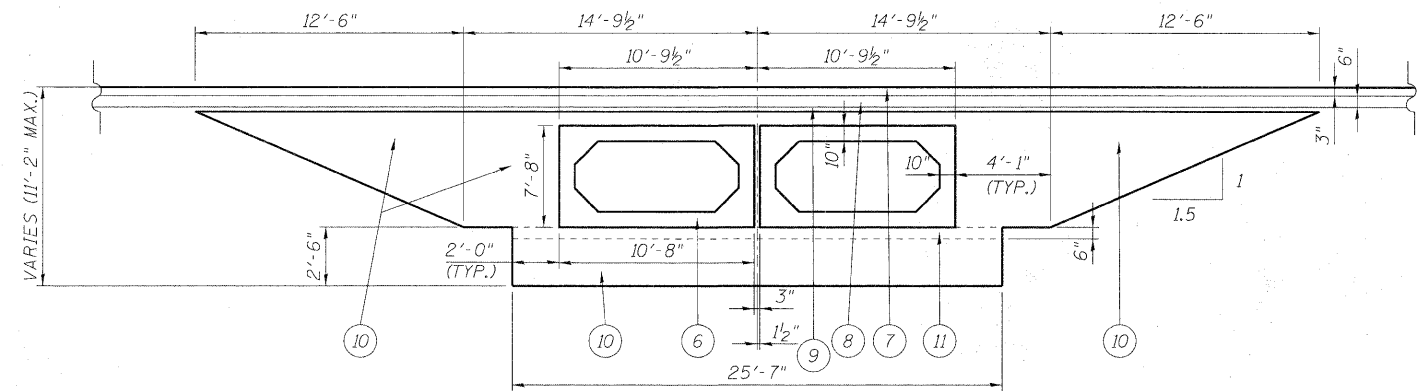
EXISTING CULVERT SECTION LOOKING NORTH
NO SCALE



EXISTING BOX CULVERT SECTION LOOKING WEST
NO SCALE



PLAN VIEW OF EXISTING BOX
NO SCALE



PROPOSED BOX CULVERT SECTION LOOKING WEST
NO SCALE

LEGEND

- ① PAVEMENT REMOVAL
- ② EARTH EXCAVATION
- ③ REMOVAL OF EXISTING STRUCTURES
- ④ STRUCTURE EXCAVATION
- ⑤ REMOVAL AND DISPOSAL OF UNSUITABLE MATERIAL
- ⑥ PRECAST CONCRETE BOX CULVERT 9'x6'
- ⑦ PROPOSED HMA SURFACE COURSE, MIX "C", N50, 2"
- ⑧ PROPOSED HMA BINDER COURSE IL-19.0, N50, 11" (IN 2 LIFTS)
- ⑨ BITUMINOUS MATERIAL (PRIME COAT)
- ⑩ COARSE AGGREGATE BACKFILL (SPECIAL)
- ⑪ CA-7, 6"

- NOTE:
1. THE INSTALLATION OF THE PRECAST CONCRETE BOX CULVERT WILL BE COMPLETED ALL AT ONE TIME.
 2. EXCAVATION LIMITS VARY.
 3. THE COST 6" OF CA 7 UNDER CULVERT SHALL BE INCLUDED IN THE PRECAST CONCRETE BOX CULVERT 9'x6' ITEM.

DESIGNED - M.J.Y.	REVISED -
DRAWN - ST, TSC	REVISED -
CHECKED - M.J.Y, DC	REVISED -
DATE - 11/23/2009	REVISED -

F.A.U. RTE. 0327	SECTION 112 T-1	COUNTY WILL	TOTAL SHEETS 17	SHEET NO. 5
D-91-496-09			CONTRACT NO. 60C54	
FED. ROAD DIST. NO. ILLINOIS FED. AID PROJECT				