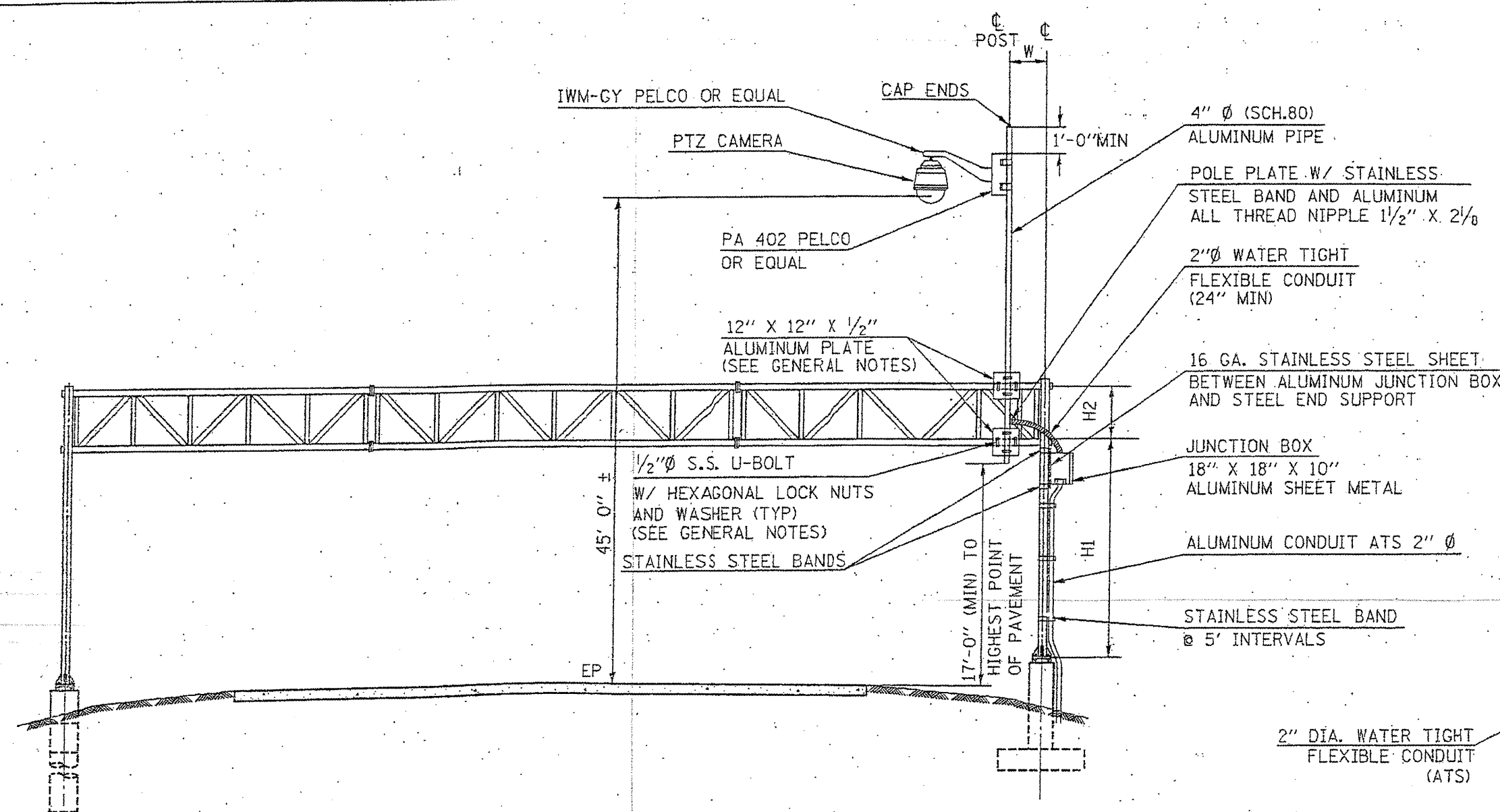
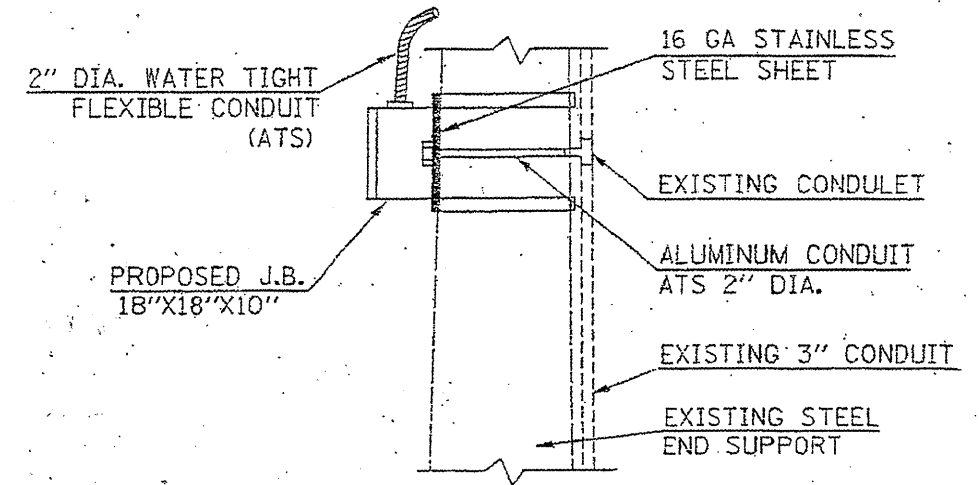


This Sheet For Information Only



TYPICAL ELEVATION
 NOT TO SCALE



DETAIL
 LOCATION 101, 104, & 105

* INSTALL PROPOSED CABLES FROM CONTROLLER CABINET TO SIGN TRUSS INTO THE EXISTING 3" CONDUIT THAT IS INSTALLED FOR VEHICLE DETECTION SYSTEM. THE CONTRACTOR SHALL INSTALL JUNCTION BOX, CCTV CAMERA, MOUNTING POLE, AND CONNECTING RACEWAY. SEE DETAIL FOR MOUNTING JUNCTION BOX ON STEEL END SUPPORT.

LOCATION	DESCRIPTION	S.T.#	H1	H2	W
* 101	POPLAR STREET BRIDGE MTD., STA.47+06	850821055R000.5	20.0'	9.0'	±2'-0"
102	IL 3 NB POPLAR ST APPROACH, STA. 52+60, BRIDGE MTD. (PIER FII)	850829015L000.6	20.63'	8.67'	±2'-0"
* 104	MLK APPROACH @ GRAVEL PIT, STA. 56+57	850821064R000.7	21.73'	7.0'	±2'-0"
* 105	I-64 WB, EAST OF I-55/70 @ STA. 42+90 (RT. SUPPORT)	850821064L002.7	19.33'	9.66'	±2'-0"
106	I-55/70 EB @ IL-203 NB, STA. 100+30 (RT. SUPPORT)	850821055R003.7	17.56'	5.83'	±2'-0"
201	I-64 WB @ 10th ST., STA. 59+20 (LT. SUPPORT)	850821064L003.1	19.13'	9.37'	±2'-0"
303	I-270 EB @ IL-3, STA. 222+25, (RT. SUPPORT)	850601270R002.3	22.3'	6.75'	±2'-0"

ALL DIMENSIONS ARE APPROXIMATE. FINAL DIMENSIONS ARE TO BE DETERMINED IN FIELD.

REVISIONS	
NAME	DATE

ILLINOIS DEPARTMENT OF TRANSPORTATION
 DETAILS
 SIGN TRUSS MOUNTED CAMERA
 VARIOUS ROUTES
 SECTION DIST 8 ITS 2000-2
 MADISON & ST. CLAIR COUNTIES
 DRAWN BY: