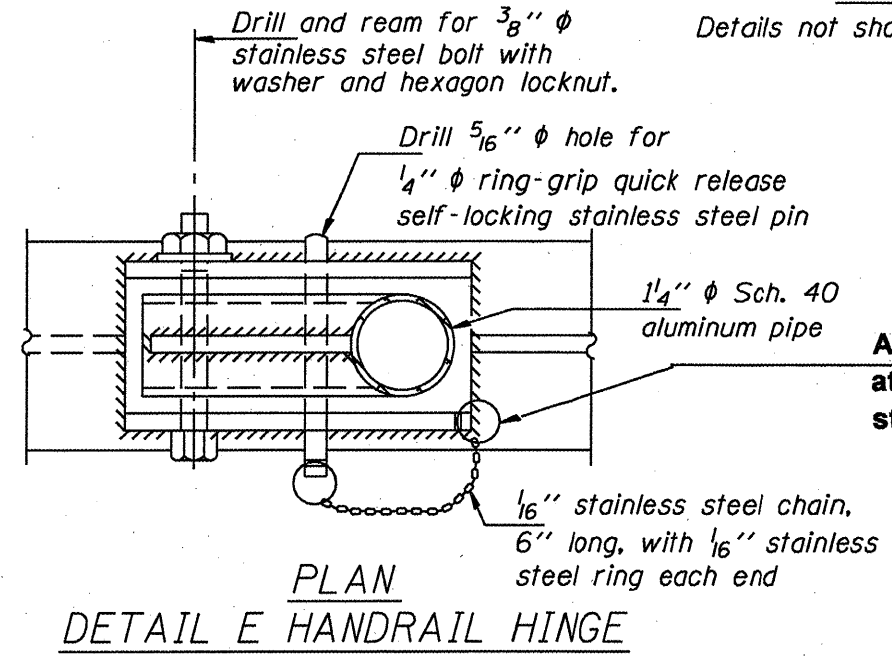
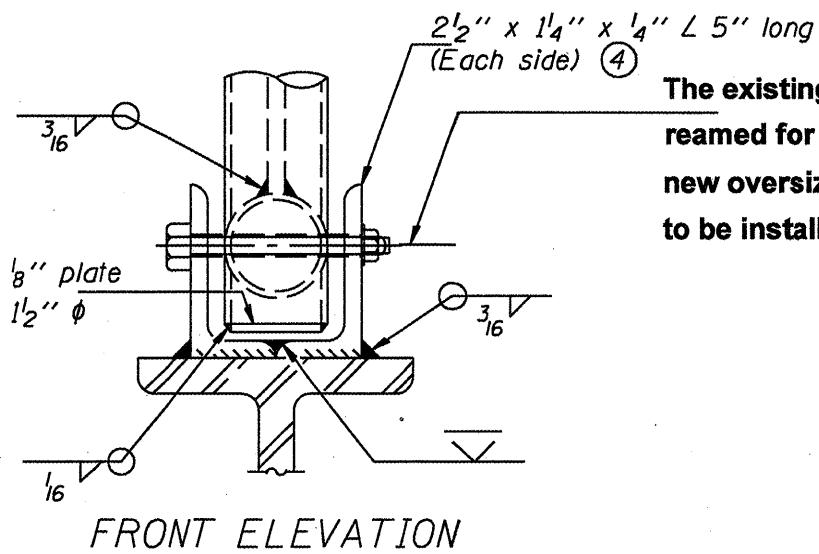
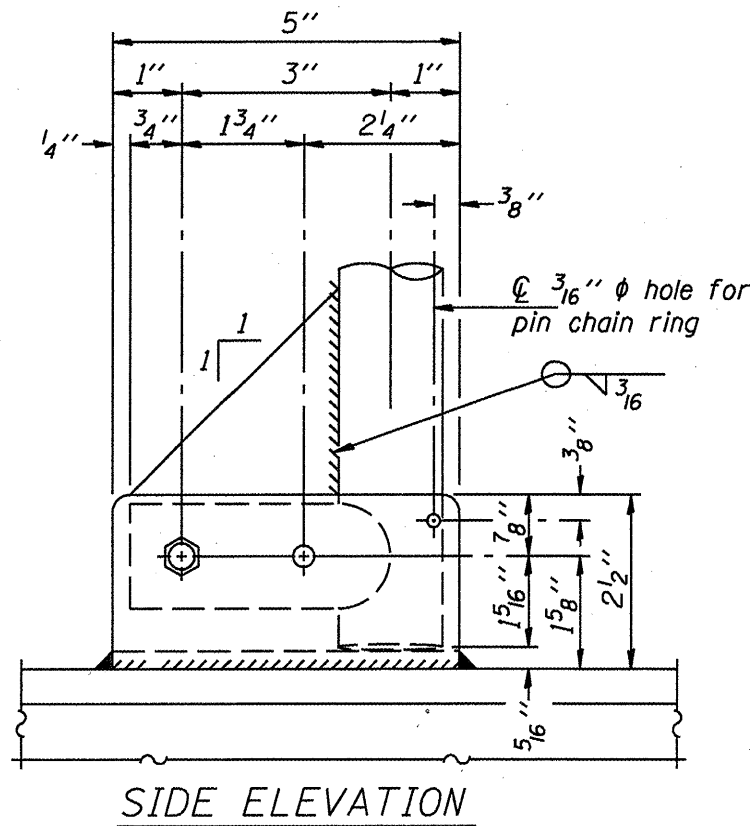


STATE OF ILLINOIS DEPARTMENT OF TRANSPORTATION

FAI Route 80
D-3 OVD SIN STR REPL 2010-37
Bureau & LaSalle Counties
Sheet 19 of 19
Contract Number 46102



A new stainless steel chain shall be attached to the angle with a 1/16" stainless steel ring.

OVERHEAD SIGN STRUCTURES
HANDRAIL HINGE REPAIR DETAIL