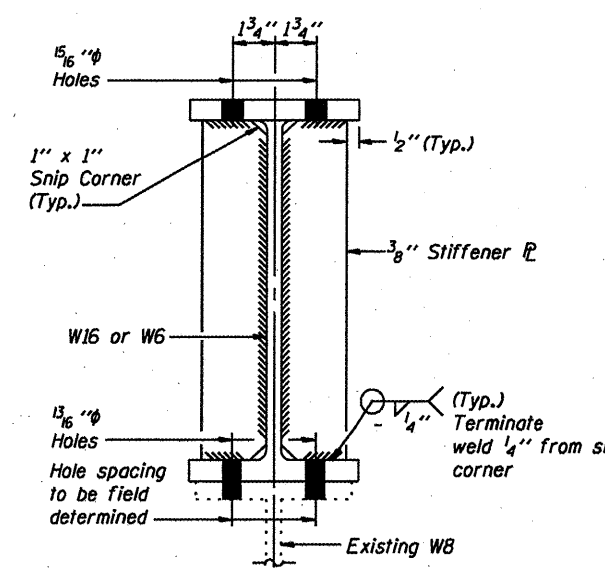
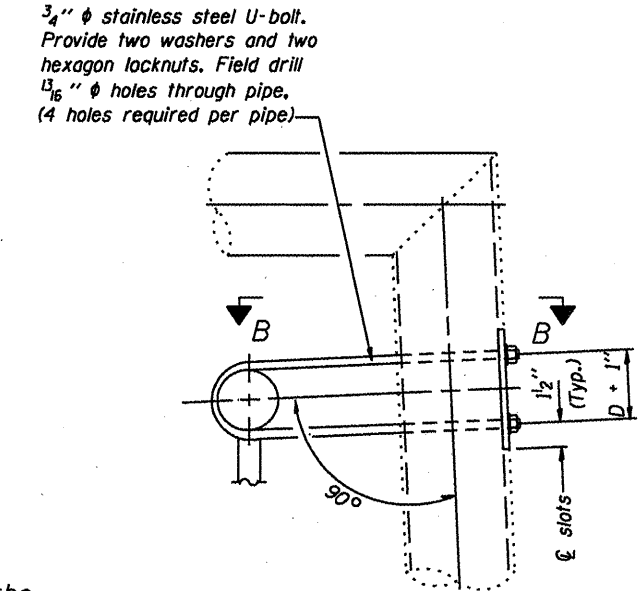


Truss Chord Nominal Dia.	a	W
5 1/2"	13/16"	4 3/4"
6"	7/8"	4 3/4"
6 1/2"	15/16"	4 3/4"
7"	1"	4 3/4"
8 1/2"	1 1/4"	5 1/2"
9"	1 3/8"	5 3/4"



This detail applies to the following structures:

Structure No. 3S050I080R078.1
Structure No. 3S050I080L079.4
Structure No. 3S050I080L080.0

OVERHEAD SIGN STRUCTURES
EXISTING SUPPORT FRAME
RETROFIT for ALUMINUM TRUSS

District 3
Overhead Sign Structure
Replacement

DESIGNED	20
CHECKED	EXAMINED
DRAWN	PASSED
CHECKED	ENGINEER OF STRUCTURAL SERVICES
	ENGINEER OF BRIDGES AND STRUCTURES

OS-A-12-RETROFIT 12-06-04