

**STATE OF ILLINOIS**  
**DEPARTMENT OF TRANSPORTATION**  
**DIVISION OF HIGHWAYS**  
**PROPOSED**  
**HIGHWAY PLANS**

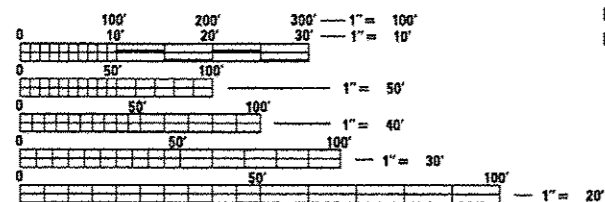
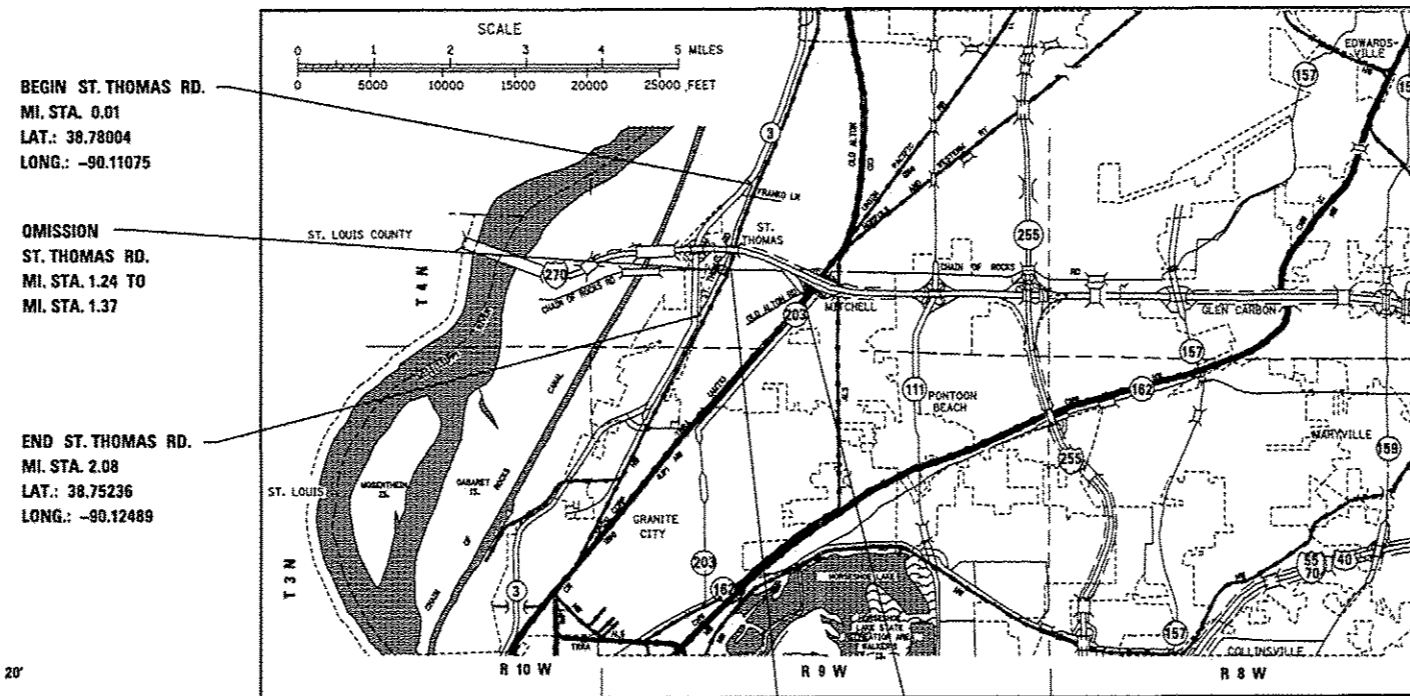
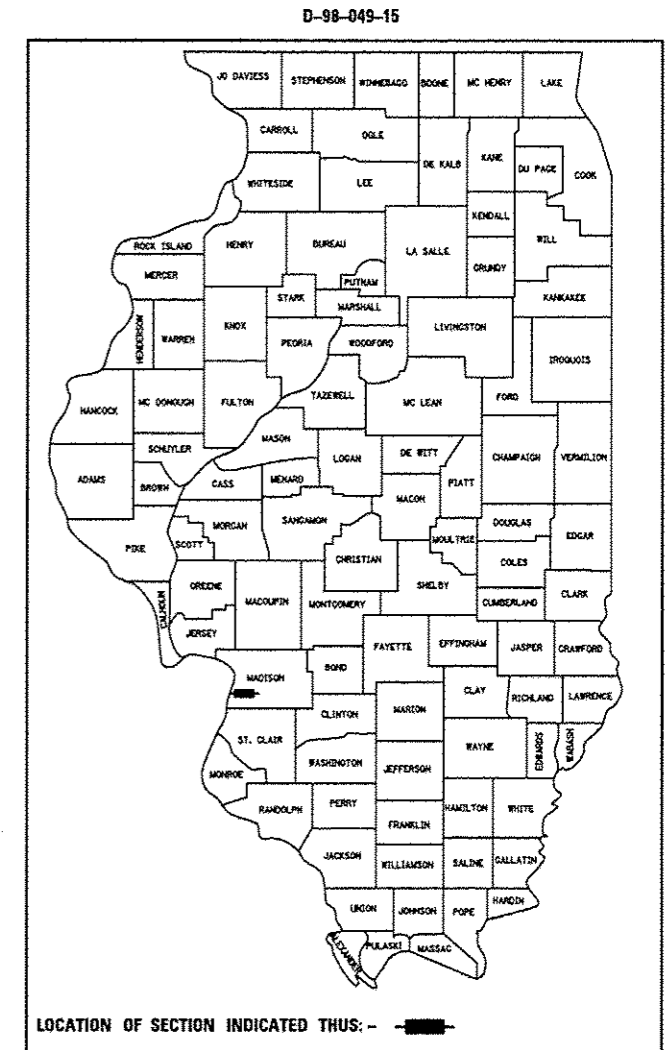
F.A. RTE.	SECTION	COUNTY	TOTAL SHEETS	SHEET NO.
•	500RS-4, 1-RS-1	MADISON	6	1
•	FAU 9076 / OR 151	ILLINOIS	CONTRACT NO. 76H92	

**INDEX OF SHEETS**

1. COVER SHEET
2. GENERAL NOTES, COMMITMENTS, AND HIGHWAY STANDARDS
3. SUMMARY OF QUANTITIES
4. TYPICAL SECTIONS
5. SCHEDULES
6. DETAILED LOCATION MAP WITH TIE POINT

ADT'S		
	ST. THOMAS RD.	WEST CHAIN OF ROCKS RD.
2012	1,250	4,400
2035	1,600	5,550

FAU 9076 /OR 151  
 (WEST CHAIN OF ROCKS RD./ST. THOMAS RD.)  
 SECTION 500RS-4, 1-RS-1  
 MADISON COUNTY  
 OIL & CHIP  
 C-98-042-15



FULL SIZE PLANS HAVE BEEN PREPARED USING STANDARD ENGINEERING SCALES. REDUCED SIZED PLANS WILL NOT CONFORM TO STANDARD SCALES. IN MAKING MEASUREMENTS ON REDUCED PLANS, THE ABOVE SCALES MAY BE USED.

J.U.L.I.E.  
 JOINT UTILITY LOCATION INFORMATION FOR EXCAVATION  
 1-800-892-0123  
 OR 811

BEGIN ST. THOMAS RD.  
 MI. STA. 0.01  
 LAT.: 38.78004  
 LONG.: -90.11075

OMISSION  
 ST. THOMAS RD.  
 MI. STA. 1.24 TO  
 MI. STA. 1.37

END ST. THOMAS RD.  
 MI. STA. 2.08  
 LAT.: 38.75236  
 LONG.: -90.12489

BEGIN WEST CHAIN OF ROCKS RD.  
 MI. STA. 0.42  
 LAT.: 38.76206  
 LONG.: -90.11696

END WEST CHAIN OF ROCKS RD.  
 MI. STA. 1.58  
 LAT.: 38.75813  
 LONG.: -90.09773

TOTAL GROSS LENGTH = 17,054.40 FT. = 3.23 MILE  
 TOTAL NET LENGTH = 16,368.00 FT. = 3.10 MILE

PROJECT MANAGER: BILLIE OWEN (618) 346-3209  
 SQUAD CONTACT: MARY MILCIC (618) 346-3187  
 CONTRACT NO. 76H92

ST. THOMAS RD.  
 GROSS LENGTH = 10,929.60 FT. = 2.07 MILE  
 NET LENGTH = 10,243.20 FT. = 1.94 MILE

WEST CHAIN OF ROCKS RD.  
 GROSS LENGTH = 6,124.80 FT. = 1.16 MILE  
 NET LENGTH = 6,124.80 FT. = 1.16 MILE

DESIGN DESIGNATION  
 N/A

STATE OF ILLINOIS  
 DEPARTMENT OF TRANSPORTATION  
 DIVISION OF HIGHWAYS

SUBMITTED Nov 17 20 15

Jaffrey L. Kamars  
 DEPUTY DIRECTOR OF HIGHWAYS, REGION 5 ENGINEER

Jan 29 20 16  
Maurice M. Addis P.E.  
 acting ENGINEER OF DESIGN AND ENVIRONMENT

Jan 29 20 16  
Onur Osman P.E.  
 DIRECTOR OF HIGHWAYS, CHIEF ENGINEER

**PRINTED BY THE AUTHORITY  
 OF THE STATE OF ILLINOIS**

GENERAL NOTES

1. ILLINOIS STATE LAW REQUIRES A 48-HOUR NOTICE BE GIVEN TO ALL UTILITIES BEFORE DIGGING. FIELD MARKING OF FACILITIES MAY BE OBTAINED BY CONTACTING J.U.L.I.E. OR FOR NON-MEMBERS, THE UTILITY COMPANY DIRECTLY. AGENCIES KNOWN TO HAVE FACILITIES WITHIN THE PROJECT AREA ARE AS FOLLOWS:

- AMEREN ILLINOIS (GAS & ELECTRIC)
- AT&T ILLINOIS (COMMUNICATIONS)
- CHARTER COMMUNICATIONS, INC. (CTV)
- DEPARTMENT OF CENTRAL MANAGEMENT SERVICES (COMMUNICATIONS)
- ENABLE MIDSTREAM PARTNERS (PIPELINE)
- CITY OF GRANITE CITY (SANITARY SEWER)
- ILLINOIS AMERICAN WATER COMPANY (WATER)
- LEVEL (3) COMMUNICATIONS, LLC (COMMUNICATIONS)
- MADISON COUNTY SPECIAL SERVICE AREA #1 (SANITARY SEWER)
- MITCHELL PUBLIC WATER DISTRICT (WATER)
- SPRINT/NEXTEL (COMMUNICATIONS)
- ZAYO FIBER SOLUTIONS (COMMUNICATIONS)

MEMBERS OF J.U.L.I.E. CALL TOLL FREE (800) 892-0123 OR 811 AND ARE INDICATED BY \*. NON-J.U.L.I.E. MEMBERS MUST BE NOTIFIED INDIVIDUALLY.

2. THE CONTRACTOR AND THE ENGINEER SHALL BE AWARE THAT NO SURVEY WAS PERFORMED FOR THIS PROJECT. THE STATIONING IN THE PLANS IS PROVIDED AS A POINT OF REFERENCE AND FOR DISTANCE PURPOSES ONLY. ROADWAY DIMENSIONS WERE OBTAINED FROM MICROFILM AND OTHER SOURCES OF DATA. ALL SHALL BE ASSUMED TO BE APPROXIMATE. THE CONTRACTOR SHALL VERIFY DIMENSIONS AND CONDITIONS IN THE FIELD PRIOR TO CONSTRUCTION AND ORDERING OF MATERIALS. FOR ANY VARIATIONS BETWEEN ACTUAL DIMENSIONS AND THOSE SHOWN IN THE PLANS, THE BITUMINOUS SURFACE TREATMENT SHALL BE PLACED AT LIMITS DETERMINED AT THE DISCRETION OF THE RESIDENT ENGINEER.

3. THE CONTRACTOR SHALL POST THE ROADWAY WITH "LOOSE GRAVEL" AND "SPEED LIMIT 35" SIGNS IN ACCORDANCE WITH APPLICABLE ARTICLES OF DIVISION 700 OF THE STANDARD SPECIFICATIONS. THESE SIGNS SHALL BE PLACED AT THE START OF WORK, NEAR INTERSECTING ROADWAYS AND THEN AT AN AVERAGE SPACING OF 0.5 MILES (0.8 KM). THE SIGNS MAY BE REMOVED AS SOON AS THE SWEEPING OPERATION HAS BEEN COMPLETED.

4. NO OVERNIGHT LANE CLOSURES WILL BE PERMITTED.

5. SIDEROADS AND ENTRANCES SHALL BE OPEN TO TRAFFIC AT ALL TIMES.

6. 'ROAD CONSTRUCTION AHEAD' SIGNS SHALL BE PLACED AT THE BEGINNING OF THE PROJECT PLUS THE INTERSECTING SIDEROADS, AND WILL BE CONSIDERED INCLUDED IN THE TRAFFIC CONTROL PAY ITEMS. ALL CONSTRUCTION SIGNS SHALL BE 48" X 48" FLUORESCENT ORANGE.

7. ALL TRAFFIC CONTROL DEVICES AS HEREIN SPECIFIED AND ANY ADDITIONAL TRAFFIC CONTROL DEVICES AS DEEMED NECESSARY BY THE RESIDENT ENGINEER SHALL BE INCLUDED IN THE CONTRACT TRAFFIC CONTROL AND PROTECTION PAY ITEMS.

8. THE FINAL WEARING SURFACE SHALL CURE FOR A MINIMUM OF SEVEN DAYS BEFORE PLACEMENT OF THE PERMANENT PAVEMENT MARKINGS.

9. THE PROPOSED PAVEMENT MARKING SHALL MATCH THE LOCATIONS OF THE EXISTING PAVEMENT MARKING, AS DIRECTED BY THE ENGINEER.

10. THE CONTRACTOR SHALL NOTIFY THE WOOD RIVER IDOT MAINTENANCE YARD TECHNICIAN JASON BOLLMAN AT 618-259-1442 TWO WEEKS PRIOR TO THE APPLICATION OF THE BITUMINOUS SURFACE TREATMENT IN ORDER FOR IDOT MAINTENANCE CREWS TO MAKE ANY NEEDED REPAIRS TO THE PAVEMENT AND SHOULDERS.

11. THE DEPARTMENT STRONGLY ENCOURAGES THE PRIME CONTRACTOR AND THEIR APPROVED SUB-CONTRACTORS TO HIRE MINORITY, WOMEN AND DISADVANTAGED INDIVIDUALS FROM ITS FEDERALLY FUNDED HIGHWAY CONSTRUCTION CAREERS TRAINING PROGRAM (HCCTP) TO HELP MEET WORKFORCE AND TRAINEE GOALS. THIS PROGRAM IS TRAINING MINORITIES, WOMEN AND DISADVANTAGED INDIVIDUALS IN HIGHWAY CONSTRUCTION-RELATED SKILLS, E.G., MATH FOR THE TRADES, JOB READINESS, TECHNICAL SKILLS COURSEWORK (CARPENTRY, CONCRETE FLATWORK, BLUEPRINT READING, SITE PLANS, SITE WORK, TOOLS USE, ETC.) AND OSHA 10 HOUR CERTIFICATION, TO PREPARE THEM FOR A CAREER IN THE HIGHWAY CONSTRUCTION TRADES. GRADUATES ARE WELL-TRAINED AND READY TO BECOME PRODUCTIVE ENTRY-LEVEL CONSTRUCTION WORKERS. CONTACT THE DISTRICT 8 EEO OFFICE AT 618-346-3360 AND/OR THE HCCTP COORDINATOR AT 618-874-6528 TO LEARN MORE ABOUT THE PROGRAM AND FOR ASSISTANCE IN MEETING WORKFORCE AND TRAINEE GOALS.

12. TRAFFIC CONTROL MAY REQUIRE COORDINATION WITH ANOTHER CONTRACTOR. CONTRACT 76H9J, WHICH INCLUDES WORK ON WEST CHAIN OF ROCKS ROAD FROM IL 3 TO JUST WEST OF ST. THOMAS ROAD, IS SCHEDULED TO BE ON THE SAME LETTING AS THIS PROJECT.

COMMITMENTS

NONE

HIGHWAY STANDARDS

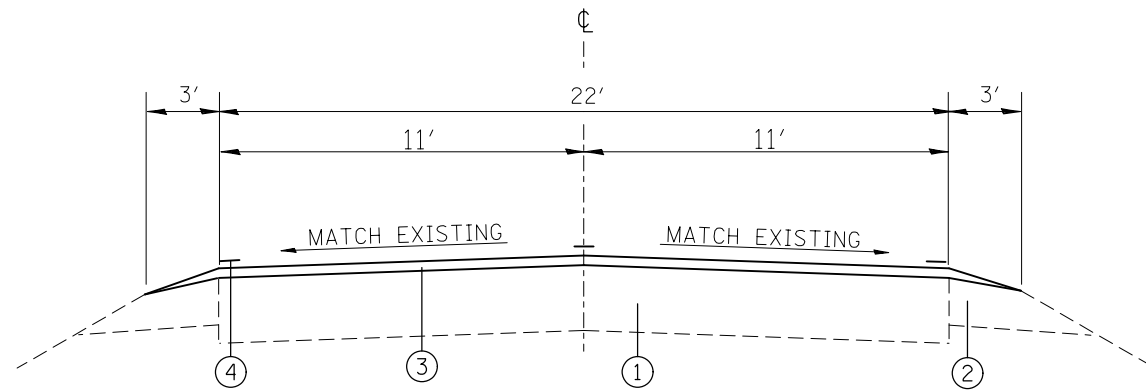
000001-06	STANDARD SYMBOLS, ABBREVIATIONS AND PATTERNS
701006-05	OFF-ROAD OPERATIONS, 2L, 2W, 15' TO 24" FROM PAVEMENT EDGE
701306-03	LANE CLOSURE, 2L, 2W, SLOW MOVING OPERATIONS DAY ONLY, FOR SPEEDS $\geq$ 45 MPH
701311-03	LANE CLOSURE, 2L, 2W, MOVING OPERATIONS - DAY ONLY
701501-06	URBAN LANE CLOSURE, 2L, 2W, UNDIVIDED
701901-04	TRAFFIC CONTROL DEVICES
780001-05	TYPICAL PAVEMENT MARKINGS

FILE NAME *	USER NAME * milsonr	DESIGNED -	REVISED -	<b>STATE OF ILLINOIS DEPARTMENT OF TRANSPORTATION</b>	<b>GENERAL NOTES, COMMITMENTS, AND HIGHWAY STANDARDS</b>	F.A.* RTE.	SECTION	COUNTY	TOTAL SHEETS	SHEET NO.
p:\1\184EBIDINTEG\illinois.gov\1007\00	uents\1007 Offices\District 8\Projects\087	02/12/2015	02/12/2015			* 500RS-4, 1-RS-1	MADISON	6	2	
	PLOT SCALE * 100.0000' / 1" =	CHECKED -	REVISED -			* FAU 9076 / OR 151	CONTRACT NO. 76H92			
Default	PLOT DATE * 12/9/2015	DATE -	REVISED -			FED. ROAD DIST. NO.	ILLINOIS FED. AID PROJECT			
					SCALE: NOT TO SCALE	SHEET	OF	SHEETS	STA.	TO STA.

CODE NO.	ITEM	UNIT	TOTAL QUANTITY	100% STATE	
				OR 151	FAU 9076
				CONSTRUCTION CODE	
				ST. THOMAS ROAD ROADWAY	W. CHAIN OF ROCKS ROAD ROADWAY
0005	0005				
URBAN	URBAN				
40300200	BITUMINOUS MATERIALS (PRIME COAT)	TON	21.9	14.2	7.7
40300400	BITUMINOUS MATERIALS (COVER AND SEAL COATS)	TON	159.3	99.7	59.6
40300500	COVER COAT AGGREGATE	TON	546	342	204
40300600	SEAL COAT AGGREGATE	TON	546	342	204
67100100	MOBILIZATION	LSUM	1	0.5	0.5
70100460	TRAFFIC CONTROL AND PROTECTION, STANDARD 701306	LSUM	1	1	0
70102620	TRAFFIC CONTROL AND PROTECTION, STANDARD 701501	LSUM	1	0	1
70300100	SHORT TERM PAVEMENT MARKING	FOOT	2976	1864	1112
70301000	WORK ZONE PAVEMENT MARKING REMOVAL	SQ FT	496	310	186
* 78001110	PAINT PAVEMENT MARKING - LINE 4"	FOOT	39853	23047	16806
Z0070100	SURVEY MONUMENT COVER ASSEMBLY	EACH	1	0	1
X3000001	RRPM PROTECTION	EACH	205	128	77

\* SPECIALTY ITEM

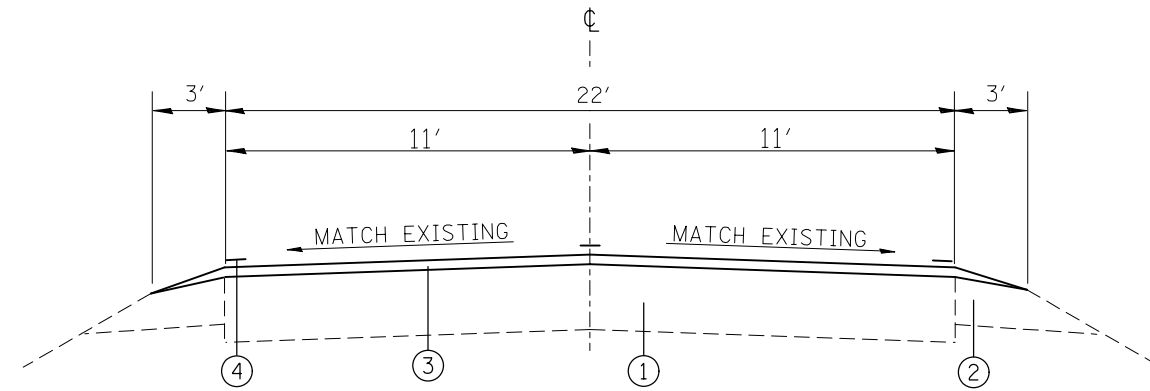
FILE NAME =	USER NAME = m1010m	DESIGNED -	REVISED -	<b>STATE OF ILLINOIS DEPARTMENT OF TRANSPORTATION</b>	<b>SUMMARY OF QUANTITIES</b>				F.A. RTE.	SECTION	COUNTY	TOTAL SHEETS	SHEET NO.
p:\11\084EBIDINTEG.11\reports\PI007\No	Documents\DOT Offices\District 8\Projects\087	CHECKED -	REVISED -						•	500RS-4, 1-RS-1	MADISON	6	3
PLOT SCALE = 100.0000' / in	CHECKED -	REVISIONS	REVISED -		• FAU 9076 / OR 151	CONTRACT NO. 76H92							
PLOT DATE = 12/8/2015	DATE -	REVISED -	REVISED -		SCALE:	SHEET	OF	SHEETS	STA.	TO STA.	ILLINOIS FED. AID PROJECT		



**ST. THOMAS ROAD**

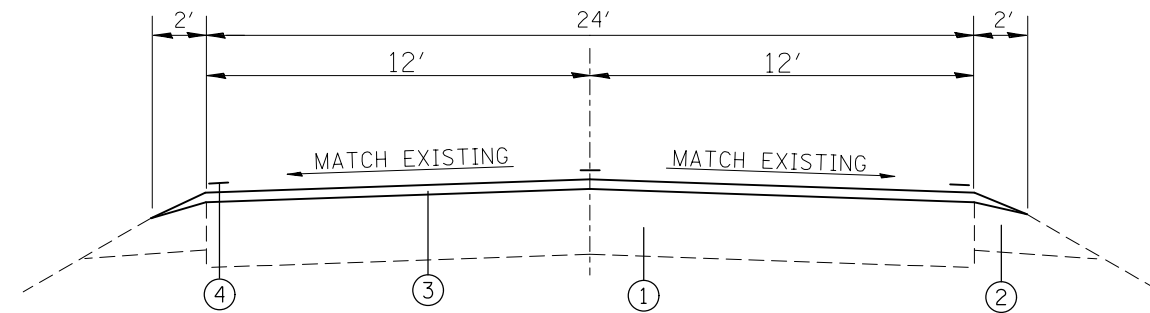
MI. STA. 0.01 TO MI. STA. 1.24  
 MI. STA. 1.37 TO MI. STA. 2.08

OMISSION: MI. STA. 1.24 TO MI. STA. 1.37



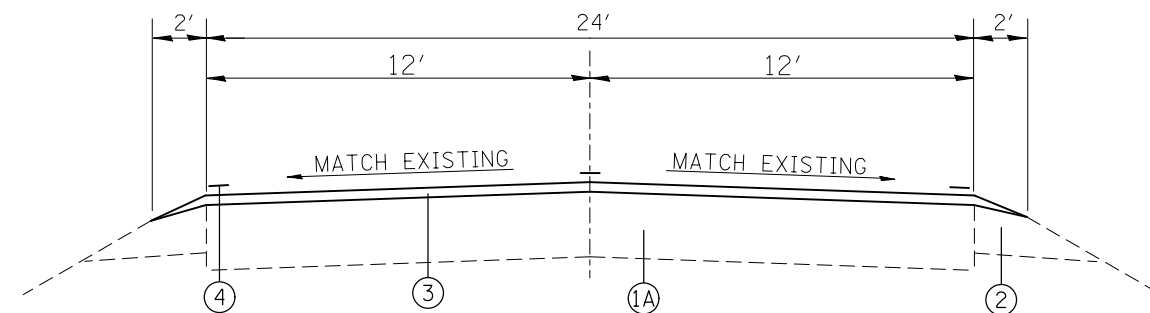
**WEST CHAIN OF ROCKS ROAD**

MI. STA. 0.42 TO MI. STA. 1.11



**WEST CHAIN OF ROCKS ROAD**

MI. STA. 1.11 TO MI. STA. 1.22



**WEST CHAIN OF ROCKS ROAD**

MI. STA. 1.22 TO MI. STA. 1.58

**LEGEND**

- ① EXISTING 10''-8''-10'' PCC PAVEMENT WITH HOT-MIX ASPHALT RESURFACING
- ①A EXISTING RESURFACED HOT-MIX ASPHALT PAVEMENT
- ② EXISTING AGGREGATE SHOULDERS, TYPE B
- ③ PROPOSED BITUMINOUS SURFACE TREATMENT CLASS A-2
- ④ PROPOSED PAINT PAVEMENT MARKING - LINE 4''

FILE NAME =	USER NAME = mlcscmr	DESIGNED -	REVISED -
pw:\IL\084EBIDINTEG.illinois.gov\PIWIDOT\Documents\IDOT Offices\District 8\Projects\0875\DRAWING\DATA\EA0\Sheets\D876H92-sht-plan.dwg		REVISIONS	REVISED -
	PLOT SCALE = 100.0000' / 1in.	CHECKED -	REVISED -
	PLOT DATE = 12/8/2015	DATE -	REVISED -

**STATE OF ILLINOIS  
 DEPARTMENT OF TRANSPORTATION**

**TYPICAL SECTIONS**

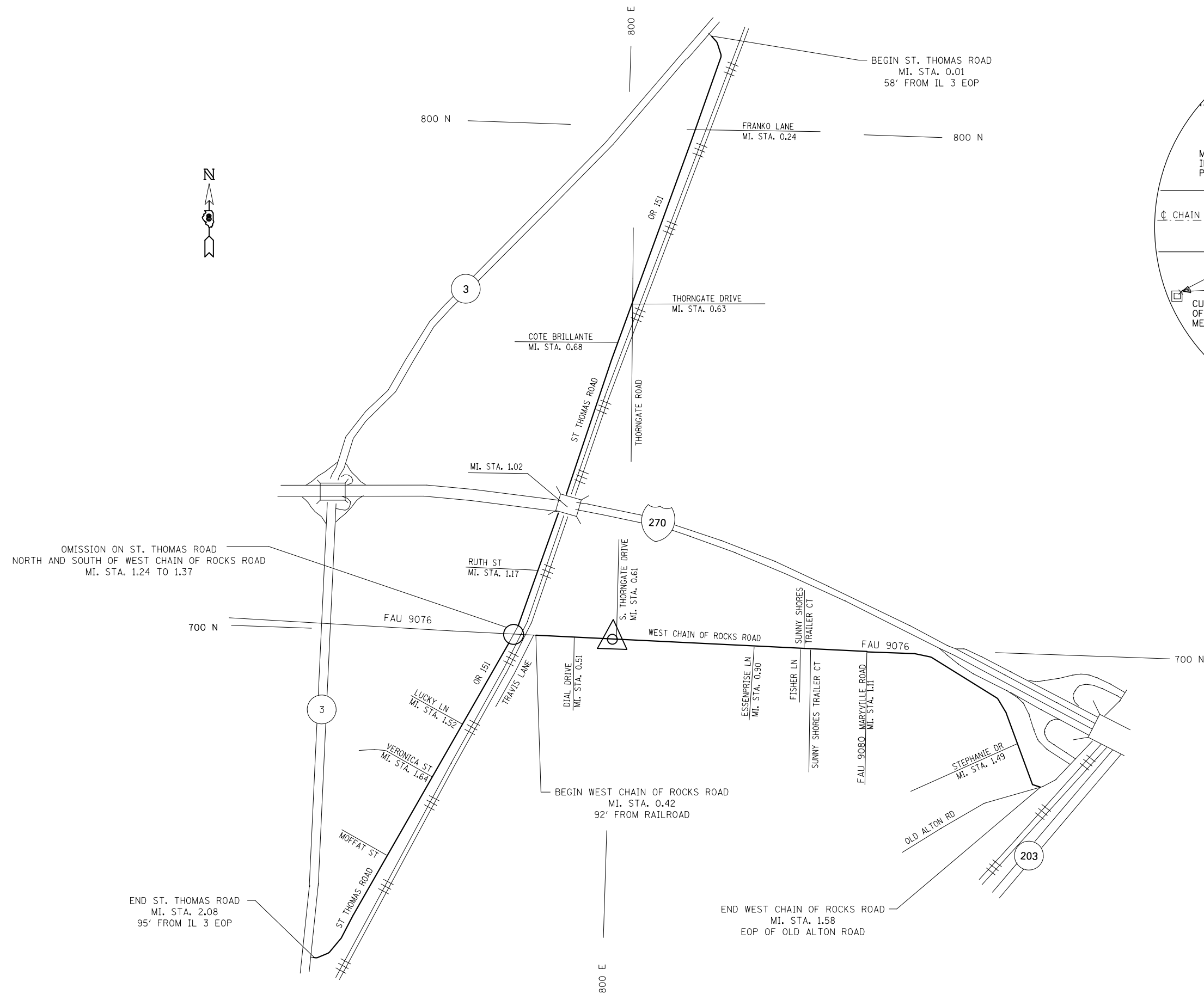
SCALE: SHEET NO. OF SHEETS STA. TO STA.

F.A. RTE.	SECTION	COUNTY	TOTAL SHEETS	SHEET NO.
•	500RS-4, 1-RS-1	MADISON	6	4
•	FAU 9076 / OR 151		CONTRACT NO. 76H92	
FED. ROAD DIST. NO.	ILLINOIS	FED. AID PROJECT		

BITUMINOUS SURFACE TREATMENT CLASS A-2 SCHEDULE				
LOCATION	*BITUMINOUS MATERIALS (PRIME COAT) (TON)	BITUMINOUS MATERIALS (COVER AND SEAL COATS) (TON)	COVER COAT AGGREGATE (TON)	SEAL COAT AGGREGATE (TON)
ST. THOMAS ROAD				
MS 0.01 TO 1.24	9.0	63.2	216.5	216.5
OMISSION				
MS 1.37 TO 2.08	5.2	36.5	125.0	125.0
SUBTOTALS-ST. THOMAS RD.	14.2	99.7	342	342
W. CHAIN OF ROCKS RD.				
MS 0.42 TO 1.11	5.1	35.5	121.4	121.4
MS 1.11 TO 1.58	2.6	24.2	82.7	82.7
SUBTOTALS-W. CHAIN OF ROCKS	7.7	59.6	204	204
<b>TOTALS</b>	<b>21.9</b>	<b>159.3</b>	<b>546</b>	<b>546</b>

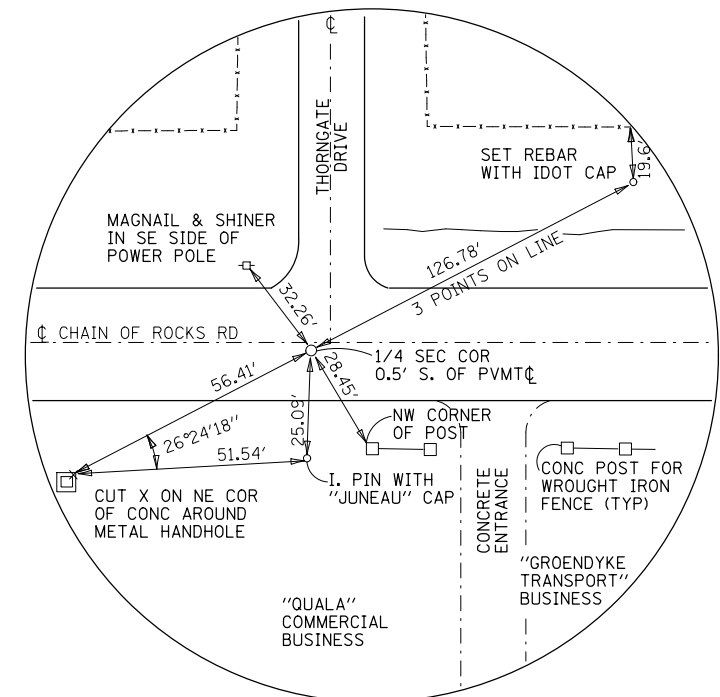
\*BITUMINOUS MATERIALS (PRIME COAT) IS FOR USE ON AGGREGATE SHOULDERS.

PAVEMENT MARKING SCHEDULE					
LOCATION	PAINT PAVEMENT MARKING LINE - 4"				RRPM PROTECTION (EACH)
	SKIP-DASH YELLOW 4" (FT)	SOLID YELLOW 4" (FT)		SOLID WHITE 4" (FT)	
		NO PASSING ZONE			
CENTERLINE	LT	RT	EDGELINES		
ST. THOMAS ROAD					
MS 0.01 TO 1.24	1624			12989	81
OMISSION					
MS 1.37 TO 2.08	937			7498	47
SUBTOTALS-ST. THOMAS RD.	2561			20486	128
W. CHAIN OF ROCKS RD.					
MS 0.42 TO 1.11	911			7286	46
MS 1.11 TO 1.19	106		400	845	5
MS 1.19 TO 1.41		1200	1200	2323	15
MS 1.41 TO 1.51	132	515		1056	7
MS 1.51 TO 1.58	92			739	5
SUBTOTALS-W. CHAIN OF ROCKS	1241	1715	1600	12250	77
<b>TOTALS</b>	<b>3802</b>	<b>1715</b>	<b>1600</b>	<b>32736</b>	<b>205</b>
	<b>39853</b>				



OMISSION ON ST. THOMAS ROAD  
NORTH AND SOUTH OF WEST CHAIN OF ROCKS ROAD  
MI. STA. 1.24 TO 1.37

END ST. THOMAS ROAD  
MI. STA. 2.08  
95' FROM IL 3 EOP



LOCATION MARKED BY ON MAP

N.W. CORNER OF N.W. 1/4 OF SEC. 33, T4N, R9W, 3rd P.M.  
FOUND MONUMENT ASSEMBLY COVER 0.5' S. OF CENTER  
OF HMA PAVEMENT. ON 8/18/2015, PULLED MONUMENT  
COVER OFF AND FOUND 2" IRON PIPE 3" BELOW SURFACE.

NOTE:  
MILE STATIONS AND DISTANCES ARE APPROXIMATE.  
MI. STA. 0.00 IS LOCATED AT IL 3 FOR BOTH ROUTES.

NOT TO SCALE

FILE NAME =	USER NAME = milcemr	DESIGNED -	REVISED -	<b>STATE OF ILLINOIS DEPARTMENT OF TRANSPORTATION</b>	<b>DETAILED LOCATION MAP WITH TIE POINT</b>			F.A. RTE.	SECTION	COUNTY	TOTAL SHEETS	SHEET NO.
p:\IL\084EBIDINTEG.illinois.gov\PIDOT\Documents\IDOT Offices\District 8\Projects\0875\DRAWING\DATA\60\Sheets\D876H92-sht-plan.dwg		DRAWN -	REVISED -		•	500RS-4, 1-RS-1	MADISON	6	6			
Default		CHECKED -	REVISED -		•	FAU 9076 / OR 151			CONTRACT NO. 76H92			
		DATE -	REVISED -		FED. ROAD DIST. NO.	ILLINOIS	FED. AID PROJECT					

SCALE: NOT TO SCALE SHEET OF SHEETS STA. TO STA.