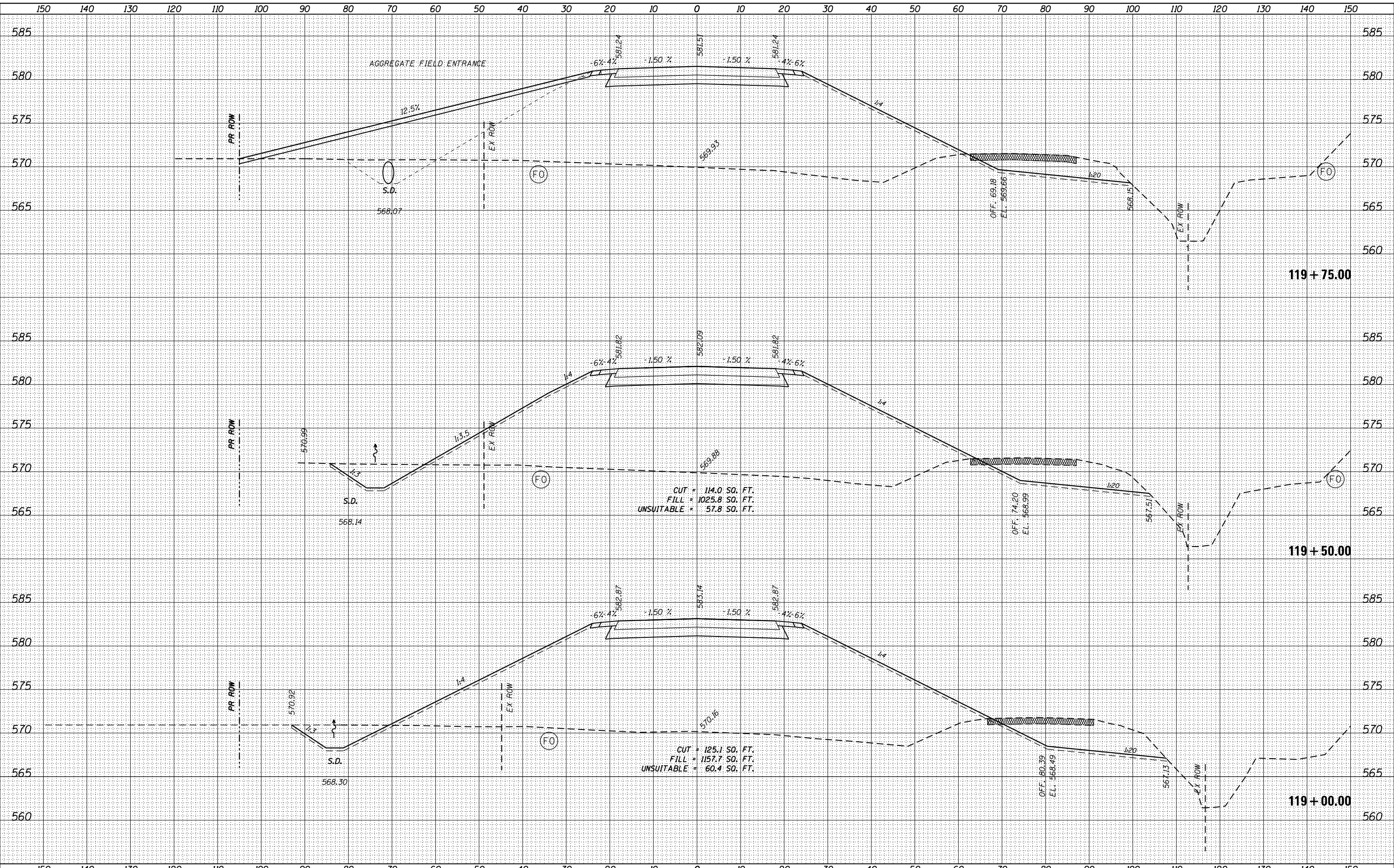




DATE	
BY	
SURVEYED	
PLOTTED	
TEMPLATE	
AREAS CHECKED	
NO.	
FINAL SURVEY	
NOTE BOOK	
AREAS CHECKED	
NO.	

DATE	
BY	
SURVEYED	
PLOTTED	
TEMPLATE	
AREAS CHECKED	
NO.	
ORIGINAL SURVEY	
NOTE BOOK	
AREAS CHECKED	
NO.	

FILE NAME = c:\working\james\_push\transportation\1375\067213-Sht\_xsh1-02-166.dgn



USER NAME = james_push	DESIGNED -	REVISD -
	DRAWN -	REVISD -
PLOT SCALE = 20.0000' / in.	CHECKED -	REVISD -
PLOT DATE = 12/10/2015	DATE - 12/11/2015	REVISD -

DESIGNED -	REVISD -
DRAWN -	REVISD -
CHECKED -	REVISD -
DATE - 12/11/2015	REVISD -

**STATE OF ILLINOIS  
DEPARTMENT OF TRANSPORTATION**

**CROSS SECTIONS  
OLD ROUTE 66**

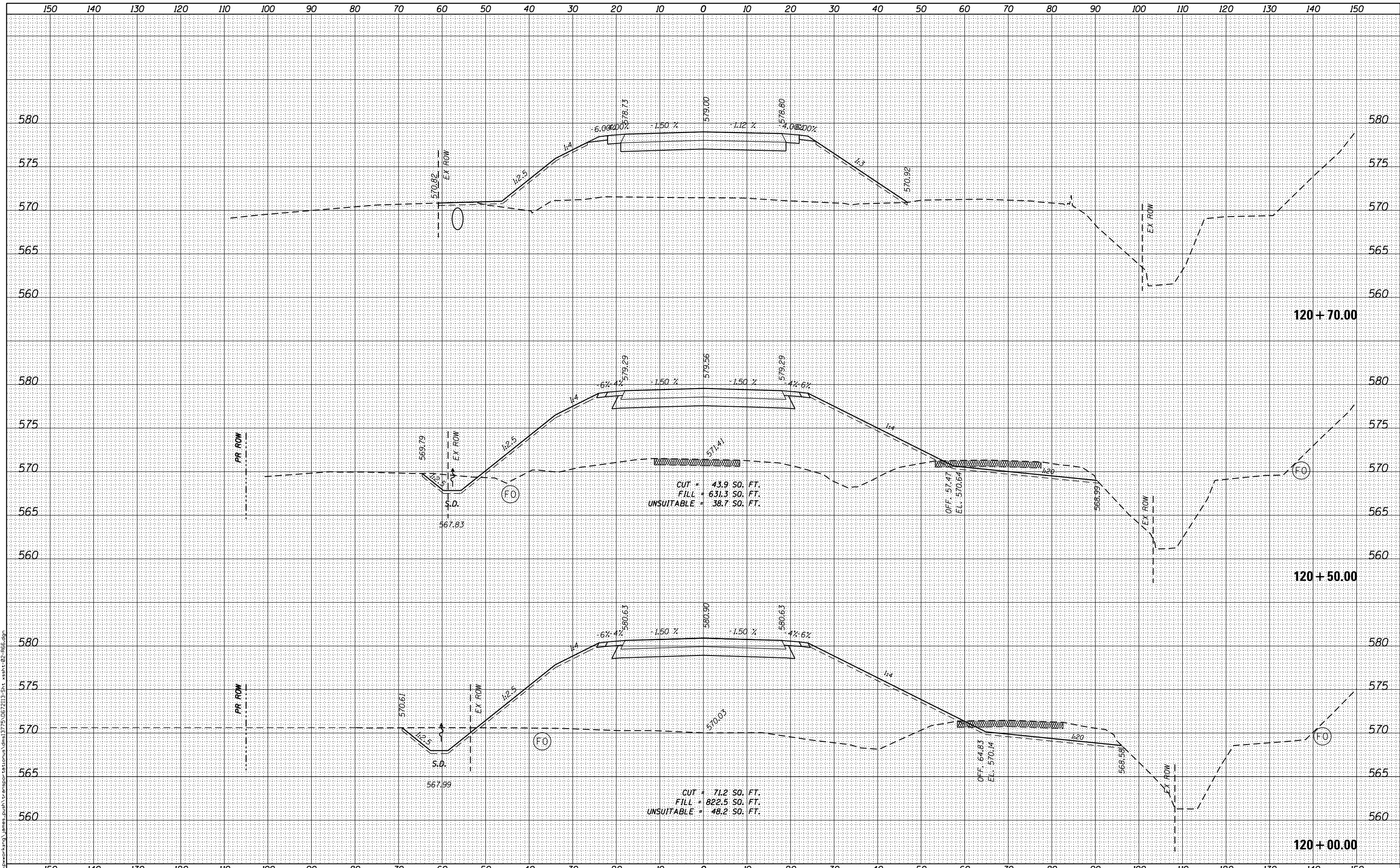
SCALE: 1:10H,5V    SHEET 16    OF 22 SHEETS    STA. 119+00.00    TO STA. 119+50.00

F.A.S. RTE.	SECTION	COUNTY	TOTAL SHEETS	SHEET NO.
1771A	D6 2015-7HSRR	LOGAN	127	102
			CONTRACT NO. 72113	
ILLINOIS FED. AID PROJECT				

DATE	
BY	
SURVEYED	
PLOTTED	
TEMPLATE	
AREAS CHECKED	
FINAL SURVEY	
NOTE BOOK	
NO.	

DATE	
BY	
SURVEYED	
PLOTTED	
TEMPLATE	
AREAS CHECKED	
ORIGINAL SURVEY	
NOTE BOOK	
NO.	

FILE NAME = c:\working\james.push\transportation\175\06\7213-Sht\_xsh1-02-166.dgn



USER NAME = james.push	DESIGNED -	REVISD -
PLOT SCALE = 20.0000' / in.	DRAWN -	REVISD -
PLOT DATE = 12/10/2015	CHECKED -	REVISD -
	DATE = 12/11/2015	REVISD -

STATE OF ILLINOIS  
DEPARTMENT OF TRANSPORTATION

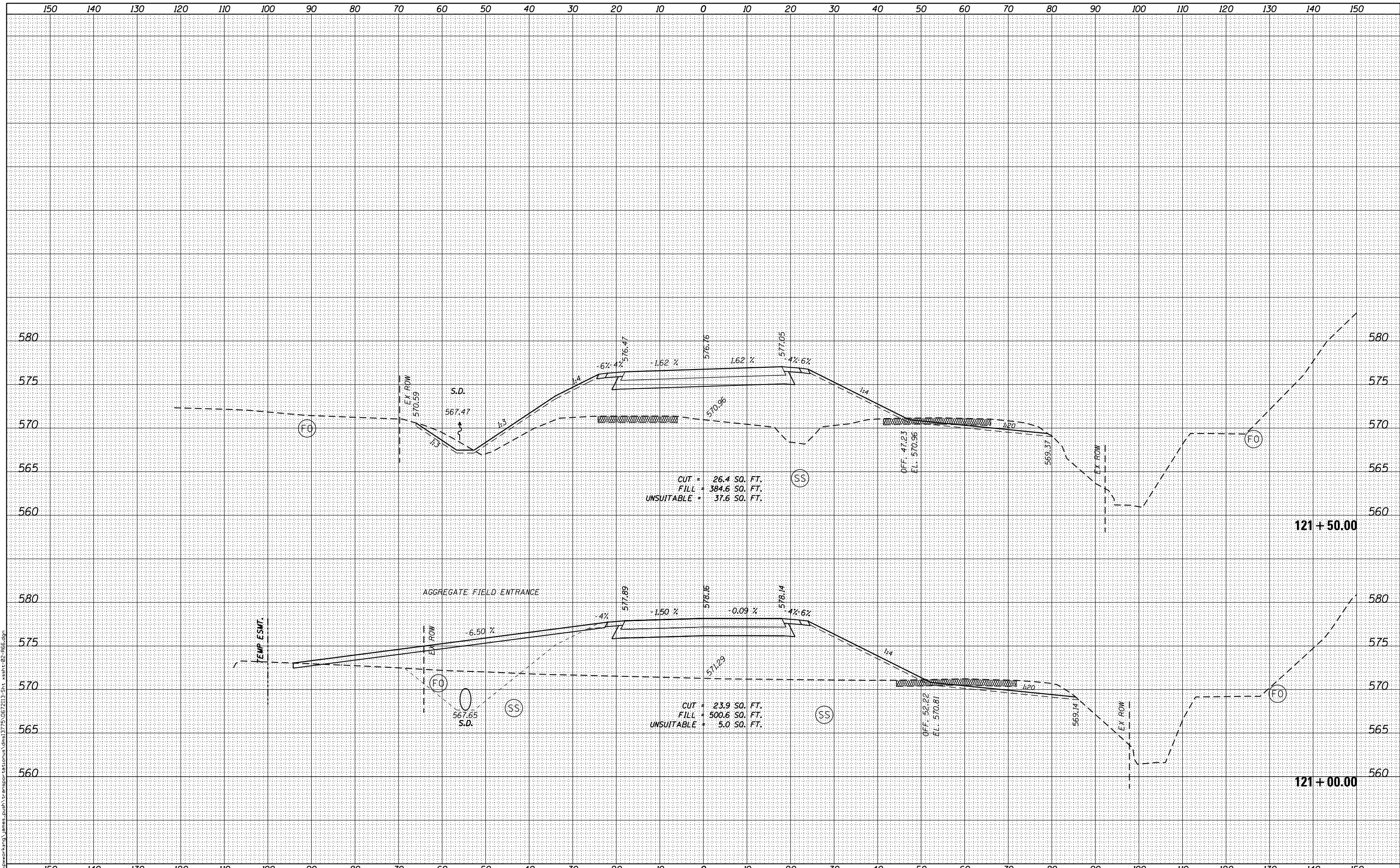
CROSS SECTIONS  
OLD ROUTE 66  
SCALE: 1:10H,5V SHEET 17 OF 22 SHEETS STA. 120+00.00 TO STA. 120+50.00

F.A.S. RTE. 1771A	SECTION D6 2015-7HSRR	COUNTY LOGAN	TOTAL SHEETS 127	SHEET NO. 103
				CONTRACT NO. 72113
ILLINOIS FED. AID PROJECT				

DATE	
BY	
NO.	
FINAL SURVEY	SURVEYED
NOTE BOOK	PLOTTED
AREAS CHECKED	TEMPLATE
	AREAS CHECKED

DATE	
BY	
NO.	
ORIGINAL SURVEY	SURVEYED
NOTE BOOK	PLOTTED
AREAS CHECKED	TEMPLATE
	AREAS CHECKED

FILE NAME = c:\working\james.push\transportation\1775\067213-Sht. xsh1-02-066.dgn



USER NAME = james.push	DESIGNED -	REVISD -
	DRAWN -	REVISD -
PLOT SCALE = 20.0000' / in.	CHECKED -	REVISD -
PLOT DATE = 12/10/2015	DATE = 12/11/2015	REVISD -

STATE OF ILLINOIS  
DEPARTMENT OF TRANSPORTATION

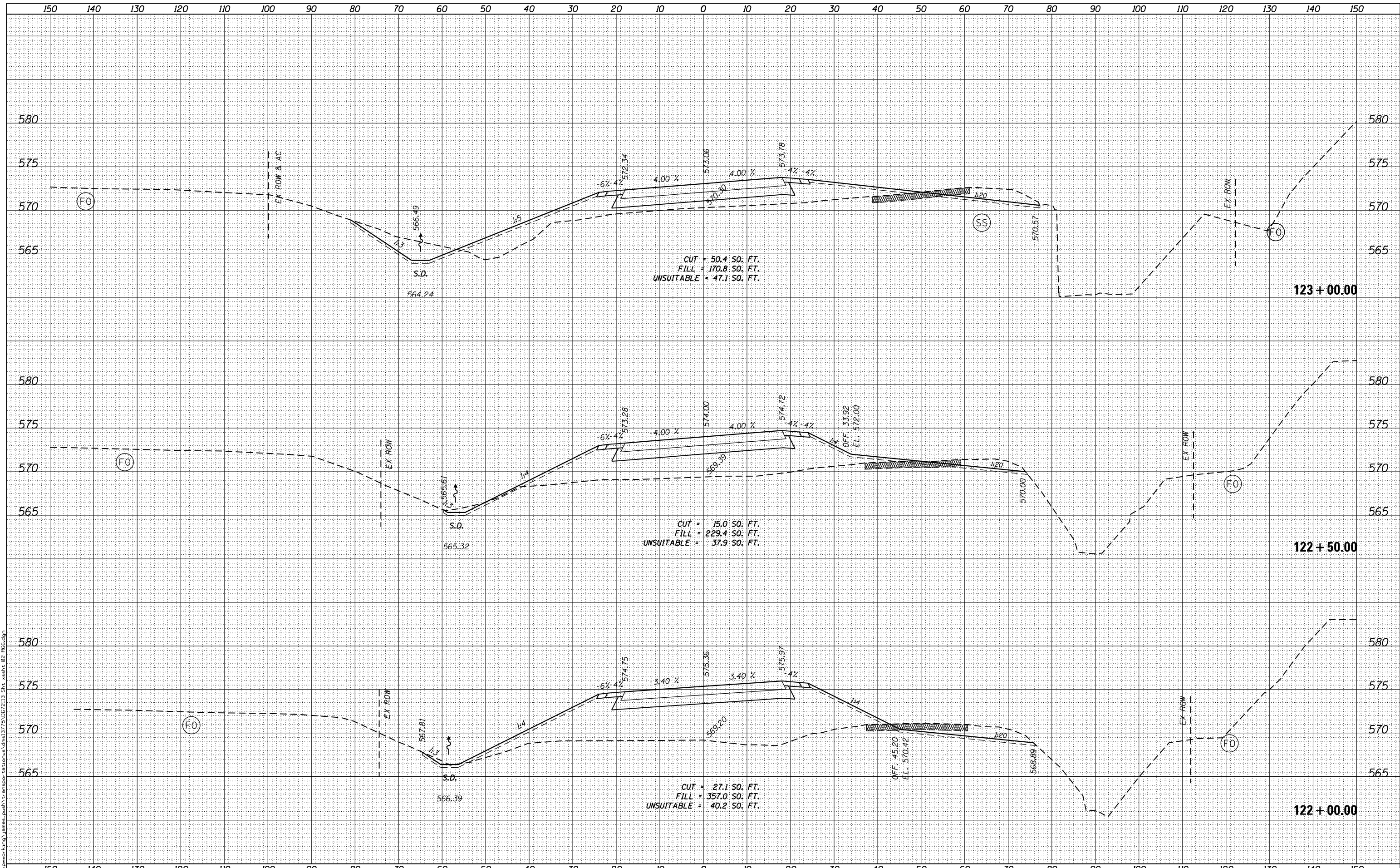
CROSS SECTIONS  
OLD ROUTE 66  
SCALE: 1:10H,5V SHEET 18 OF 22 SHEETS STA. 121+00.00 TO STA. 121+50.00

F.A.S. RTE.	SECTION	COUNTY	TOTAL SHEETS	SHEET NO.
1771A	D6 2015-7HSRR	LOGAN	127	104
				CONTRACT NO. 72113
ILLINOIS FED. AID PROJECT				

DATE	
BY	
SURVEYED	
PLOTTED	
TEMPLATE	
AREAS	
CHECKED	
NO.	

DATE	
BY	
SURVEYED	
PLOTTED	
TEMPLATE	
AREAS	
CHECKED	
NO.	

FILE NAME = c:\working\james\push\transport\stadium\175\06\213-Sht\_xsh1-02-166.dgn



USER NAME = james.push	DESIGNED -	REVISD -
	DRAWN -	REVISD -
	CHECKED -	REVISD -
	DATE - 12/11/2015	REVISD -

**STATE OF ILLINOIS  
DEPARTMENT OF TRANSPORTATION**

**CROSS SECTIONS  
OLD ROUTE 66**

SCALE: 1:10H,5V    SHEET 19    OF 22 SHEETS    STA. 122+00.00    TO STA. 123+00.00

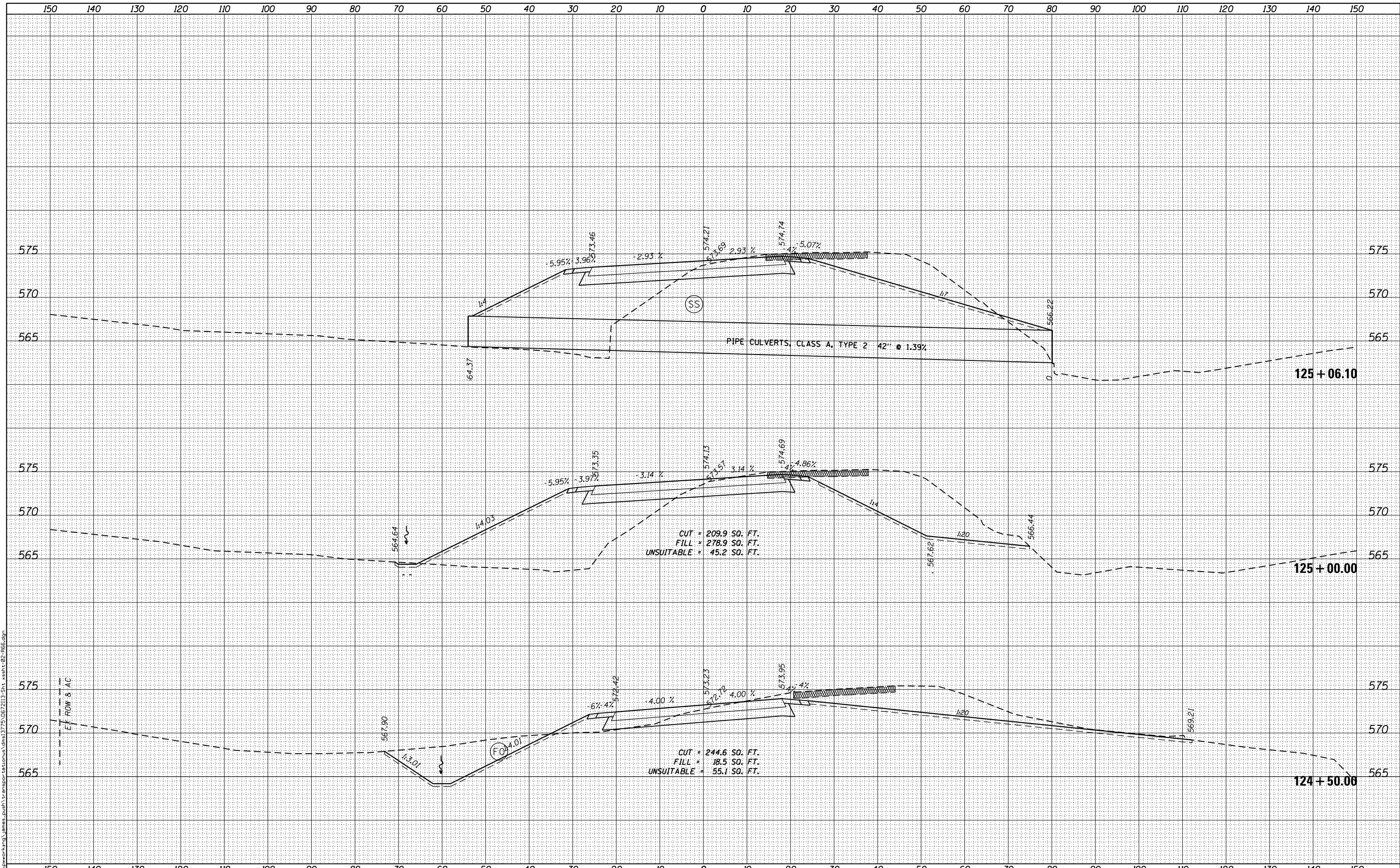
F.A.S. RTE. 1771A	SECTION D6 2015-7HSRR	COUNTY LOGAN	TOTAL SHEETS 127	SHEET NO. 105
			CONTRACT NO. 72113	
ILLINOIS FED. AID PROJECT				



DATE	
BY	
FINAL SURVEY	
NOTE BOOK	
NO.	
SURVEYED	
PLOTTED	
TEMPLATE	
AREAS CHECKED	

DATE	
BY	
ORIGINAL SURVEY	
NOTE BOOK	
NO.	
SURVEYED	
PLOTTED	
TEMPLATE	
AREAS CHECKED	

FILE NAME = c:\working\james.push\transportation\1775\06\21\13-Sht\_xsh1-02-166.dgn



USER NAME = james.push	DESIGNED -	REVISD -
PLOT SCALE = 20.0000' / in.	DRAWN -	REVISD -
PLOT DATE = 12/10/2015	CHECKED -	REVISD -
	DATE = 12/11/2015	REVISD -

STATE OF ILLINOIS  
DEPARTMENT OF TRANSPORTATION

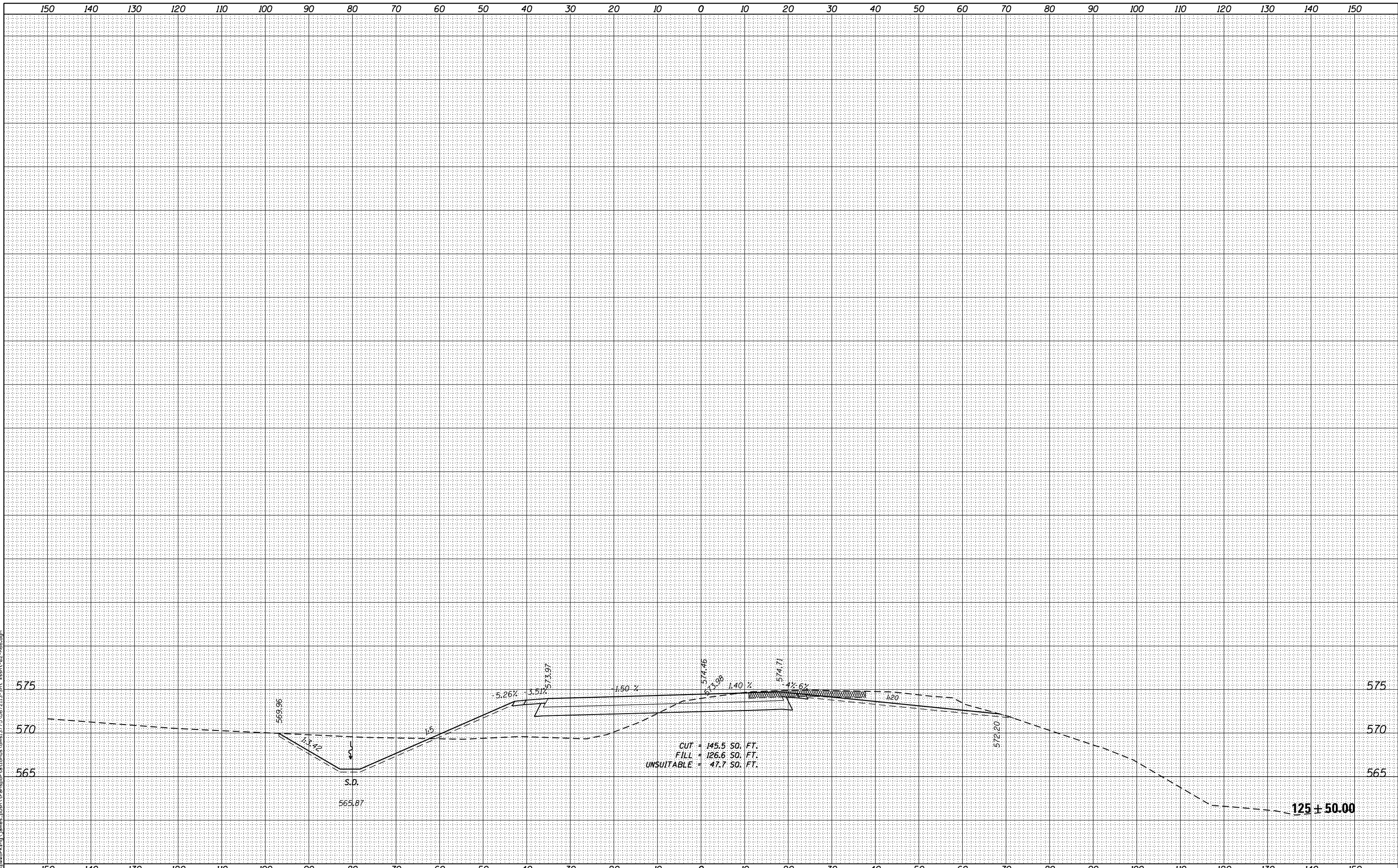
CROSS SECTIONS  
OLD ROUTE 66  
SCALE: 1:10H,5V SHEET 21 OF 22 SHEETS STA. 124+50.00 TO STA. 125+06.10

F.A.S. RTE.	SECTION	COUNTY	TOTAL SHEETS	SHEET NO.
1771A	D6 2015-7HSRR	LOGAN	127	107
				CONTRACT NO. 72113
ILLINOIS FED. AID PROJECT				

DATE	
BY	
FINAL SURVEY	SURVEYED
NOTE BOOK	PLOTTED
NO.	TEMPLATE
	AREAS
	CHECKED

DATE	
BY	
ORIGINAL SURVEY	SURVEYED
NOTE BOOK	PLOTTED
NO.	TEMPLATE
	AREAS
	CHECKED

FILE NAME = c:\working\james\_push\transportation\1775\06\213-Sht\_xsht-02-166.dgn



CUT = 145.5 SO. FT.  
 FILL = 126.6 SO. FT.  
 UNSUITABLE = 47.7 SO. FT.



USER NAME = james_push	DESIGNED -	REVISED -
PLOT SCALE = 20.0000' / in.	DRAWN -	REVISED -
PLOT DATE = 12/10/2015	CHECKED -	REVISED -
	DATE = 12/11/2015	REVISED -

STATE OF ILLINOIS  
 DEPARTMENT OF TRANSPORTATION

SCALE: 1:10H,5V		SHEET 22 OF 22 SHEETS		STA. 125+50.00 TO STA.125+50.00	
-----------------	--	-----------------------	--	---------------------------------	--

CROSS SECTIONS  
 OLD ROUTE 66

F.A.S. RTE.	SECTION	COUNTY	TOTAL SHEETS	SHEET NO.
1771A	D6 2015-7HSRR	LOGAN	127	108
			CONTRACT NO. 72113	

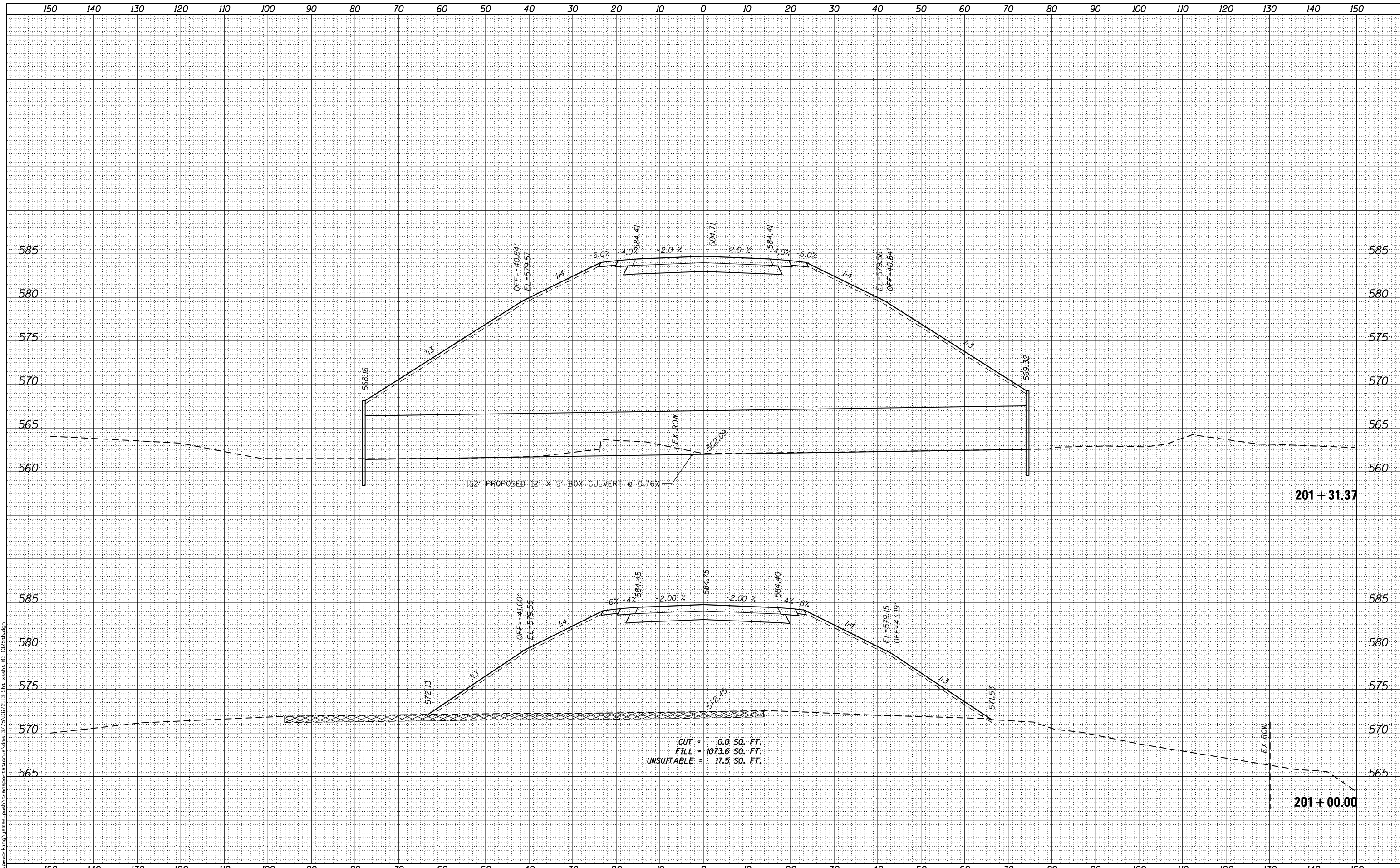
ILLINOIS FED. AID PROJECT



DATE	
BY	
FINAL SURVEY	SURVEYED
NOTE BOOK	PLOTTED
NO.	TEMPLATE
	AREAS CHECKED

DATE	
BY	
ORIGINAL SURVEY	SURVEYED
NOTE BOOK	PLOTTED
NO.	TEMPLATE
	AREAS CHECKED

FILE NAME = c:\working\james.push\transportation\1775\06\2113-Sht\_xsh1-03-125th.dgn



CUT = 0.0 SO. FT.  
 FILL = 1073.6 SO. FT.  
 UNSUITABLE = 17.5 SO. FT.



USER NAME = james.push	DESIGNED -	REVISD -
	DRAWN -	REVISD -
PLOT SCALE = 20.0000' / in.	CHECKED -	REVISD -
PLOT DATE = 12/10/2015	DATE = 12/11/2015	REVISD -

STATE OF ILLINOIS  
 DEPARTMENT OF TRANSPORTATION

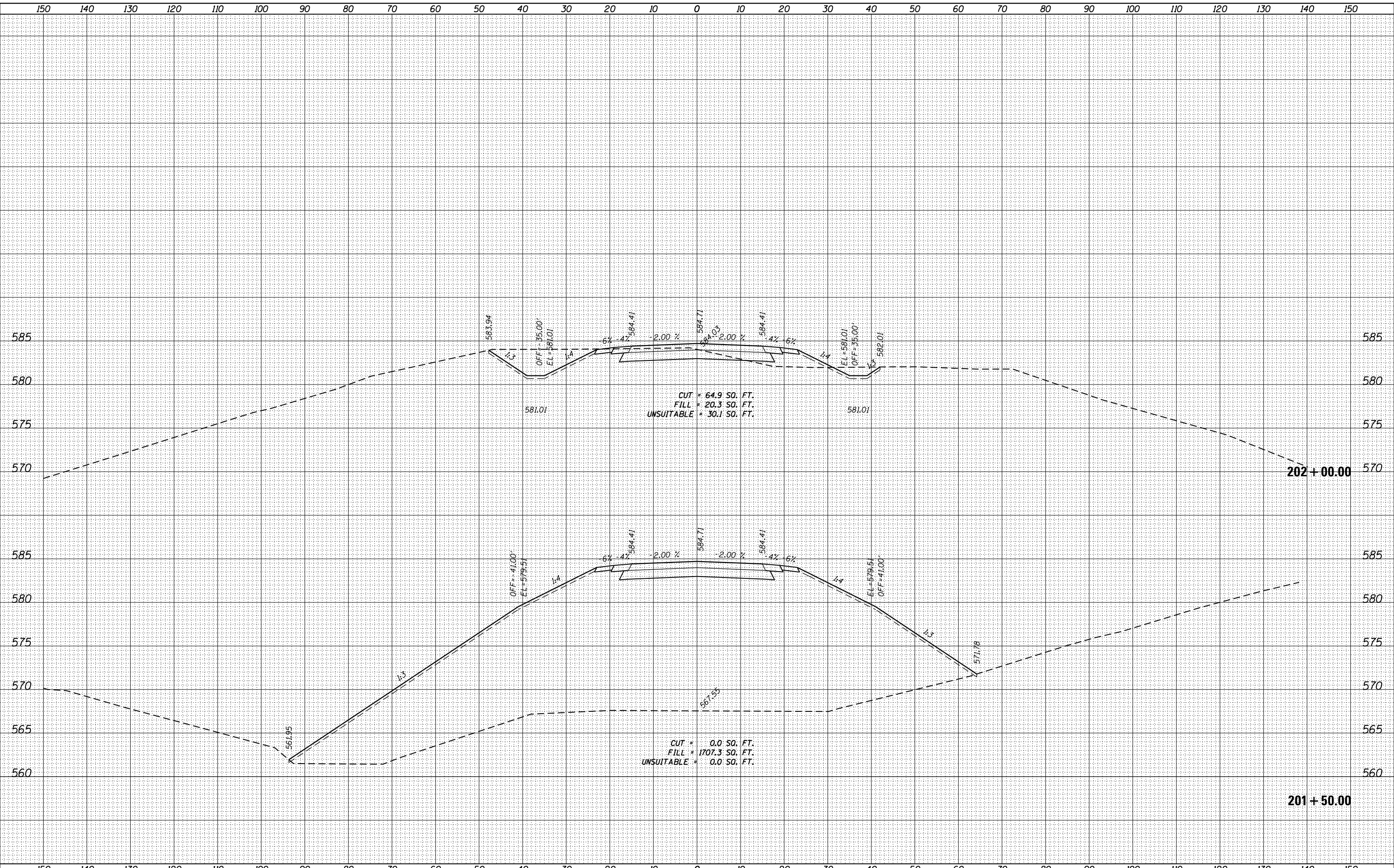
CROSS SECTIONS  
 1325TH STREET  
 SCALE: 1:10H,5V SHEET 1 OF 5 SHEETS STA. 201+00.00 TO STA. 201+31.37

F.A.S. RTE.	SECTION	COUNTY	TOTAL SHEETS	SHEET NO.
1771A	D6 2015-7HSRR	LOGAN	127	109
			CONTRACT NO. 72113	
ILLINOIS FED. AID PROJECT				

DATE	
BY	
FINAL SURVEY	SURVEYED
NOTE BOOK	PLOTTED
NO.	TEMPLATE
	AREAS CHECKED

DATE	
BY	
ORIGINAL SURVEY	SURVEYED
NOTE BOOK	PLOTTED
NO.	TEMPLATE
	AREAS CHECKED

FILE NAME = c:\working\james.push\transportation\1775\067213-Sht\_xsh1-03-1325b.dgn



USER NAME = james.push	DESIGNED -	REVISIED -
PLOT SCALE = 20.0000' / in.	DRAWN -	REVISIED -
PLOT DATE = 12/10/2015	CHECKED -	REVISIED -
	DATE = 12/11/2015	REVISIED -

**STATE OF ILLINOIS  
DEPARTMENT OF TRANSPORTATION**

**CROSS SECTIONS  
1325TH STREET**

SCALE: 1:10H,5V    SHEET 2 OF 5 SHEETS    STA. 201+50.00 TO STA. 202+00.00

F.A.S. RTE.	SECTION	COUNTY	TOTAL SHEETS	SHEET NO.
1771A	D6 2015-7HSRR	LOGAN	127	110
			CONTRACT NO. 72113	

ILLINOIS FED. AID PROJECT

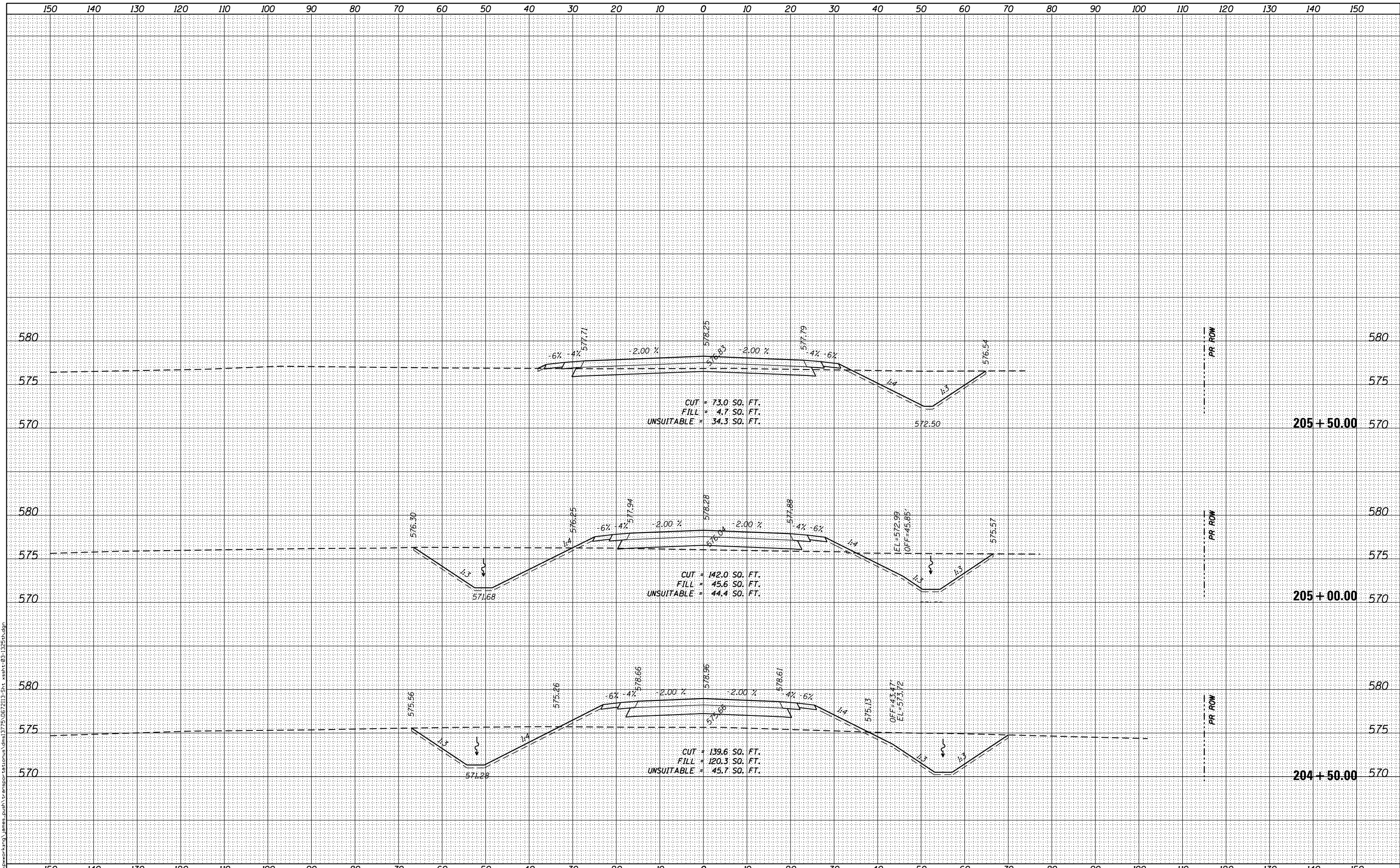




DATE	
BY	
FINAL SURVEY	SURVEYED
NOTE BOOK	PLOTTED
NO.	TEMPLATE
	AREAS CHECKED

DATE	
BY	
ORIGINAL SURVEY	SURVEYED
NOTE BOOK	PLOTTED
NO.	TEMPLATE
	AREAS CHECKED

FILE NAME = c:\working\james.push\transportation\175\06\2113-Sht\_xsh1-03-125th.dgn



USER NAME = james.push	DESIGNED -	REVISD -
	DRAWN -	REVISD -
PLOT SCALE = 20.0000' / in.	CHECKED -	REVISD -
PLOT DATE = 12/10/2015	DATE - 12/11/2015	REVISD -

STATE OF ILLINOIS  
DEPARTMENT OF TRANSPORTATION

CROSS SECTIONS  
1325TH STREET  
SCALE: 1:10H,5V SHEET 5 OF 5 SHEETS STA. 204+50.00 TO STA. 205+50.00

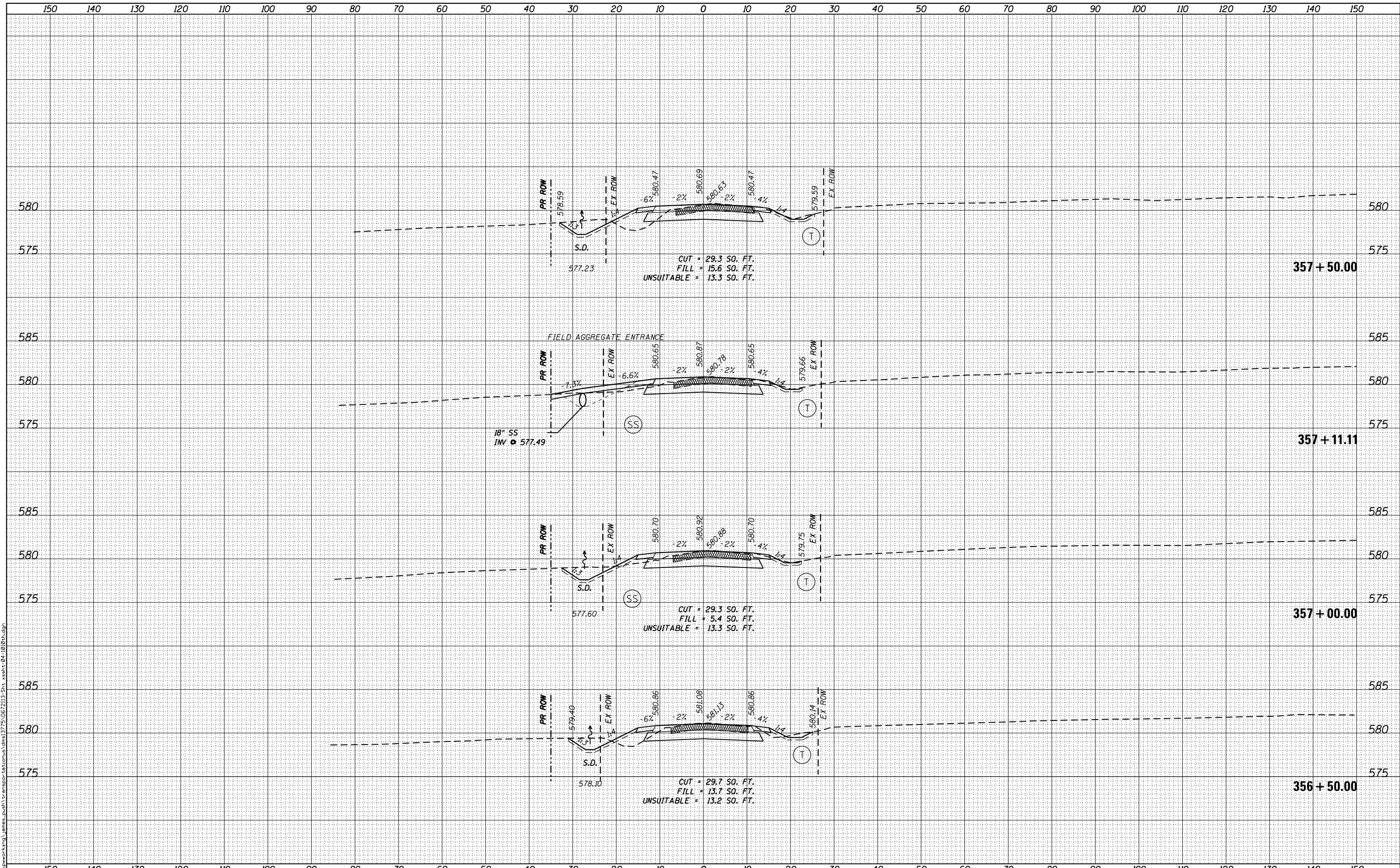
F.A.S. RTE.	SECTION	COUNTY	TOTAL SHEETS	SHEET NO.
1771A	D6 2015-7HSRR	LOGAN	127	113
				CONTRACT NO. 72113
ILLINOIS FED. AID PROJECT				



DATE	
BY	
FINAL SURVEY	
NOTE BOOK	
NO.	
SURVEYED	
PLOTTED	
TEMPLATE	
AREAS	
CHECKED	

DATE	
BY	
ORIGINAL SURVEY	
NOTE BOOK	
NO.	
SURVEYED	
PLOTTED	
TEMPLATE	
AREAS	
CHECKED	

FILE NAME = c:\working\james.push\transportation\1775\067213-Sht. xshht-04-1010.dgn



USER NAME = james.push	DESIGNED -	REVISD -
PLOT SCALE = 20.0000' / in.	DRAWN -	REVISD -
PLOT DATE = 12/10/2015	CHECKED -	REVISD -
	DATE = 12/11/2015	REVISD -

STATE OF ILLINOIS  
DEPARTMENT OF TRANSPORTATION

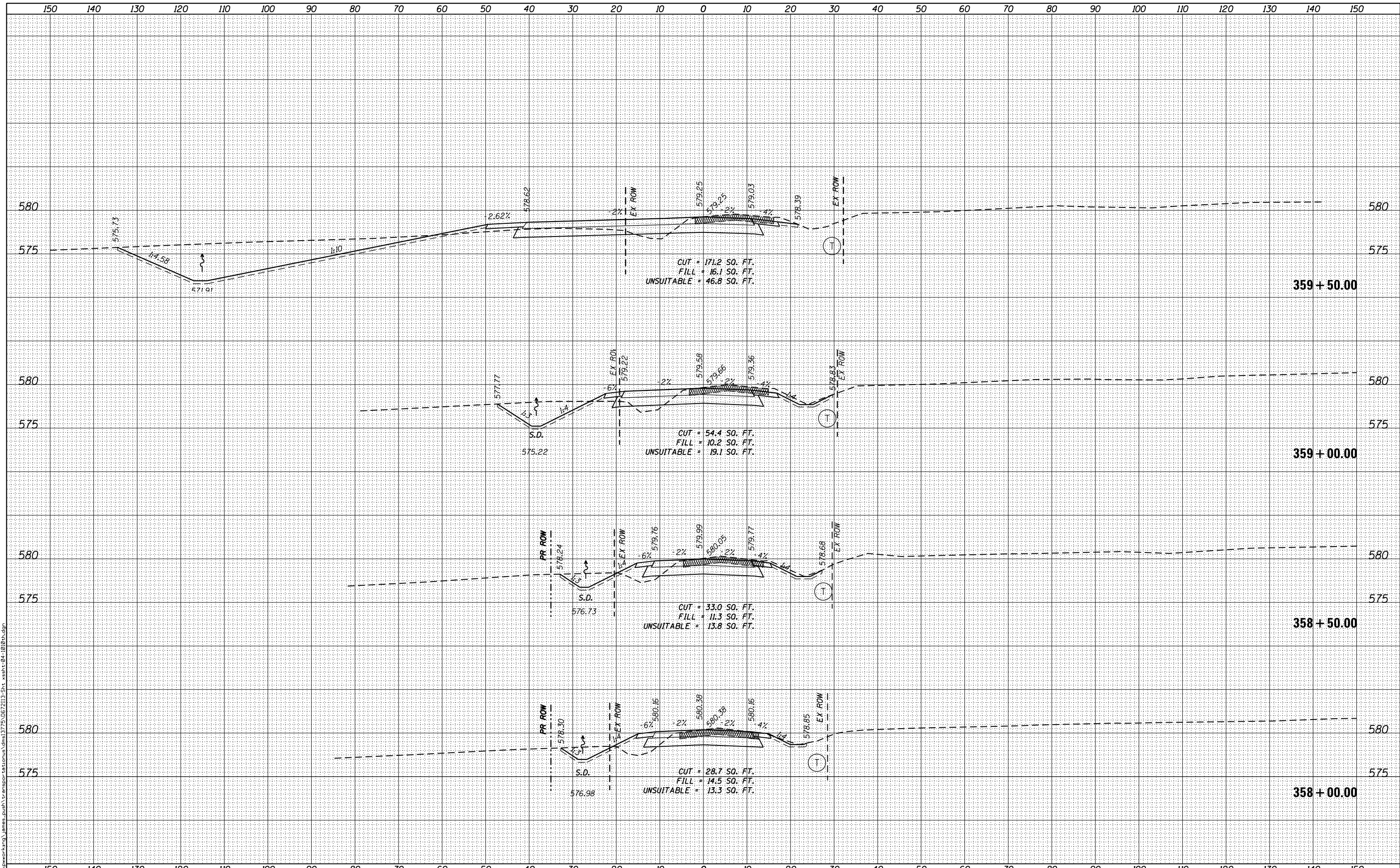
CROSS SECTIONS  
1010TH AVENUE  
SCALE: 1:10H,5V SHEET 2 OF 14 SHEETS STA. 356+50.00 TO STA. 357+50.00

F.A.S. RTE.	SECTION	COUNTY	TOTAL SHEETS	SHEET NO.
1771A	D6 2015-7HSRR	LOGAN	127	115
			CONTRACT NO. 72113	
ILLINOIS FED. AID PROJECT				

DATE	
BY	
ORIGINAL SURVEY	
PLOTTED	
TEMPLATE	
AREAS CHECKED	
NO.	

DATE	
BY	
ORIGINAL SURVEY	
PLOTTED	
TEMPLATE	
AREAS CHECKED	
NO.	

FILE NAME = c:\working\james.push\transportation\1775\06\2113-Sht\_xsh1-04-10\01.dgn



USER NAME = james.push	DESIGNED -	REVISIED -
PLOT SCALE = 20.0000' / in.	DRAWN -	REVISIED -
PLOT DATE = 12/10/2015	CHECKED -	REVISIED -
	DATE = 12/11/2015	REVISIED -

STATE OF ILLINOIS  
DEPARTMENT OF TRANSPORTATION

CROSS SECTIONS  
1010TH AVENUE  
SCALE: 1:10H,5V SHEET 3 OF 14 SHEETS STA. 358+00.00 TO STA. 359+50.00

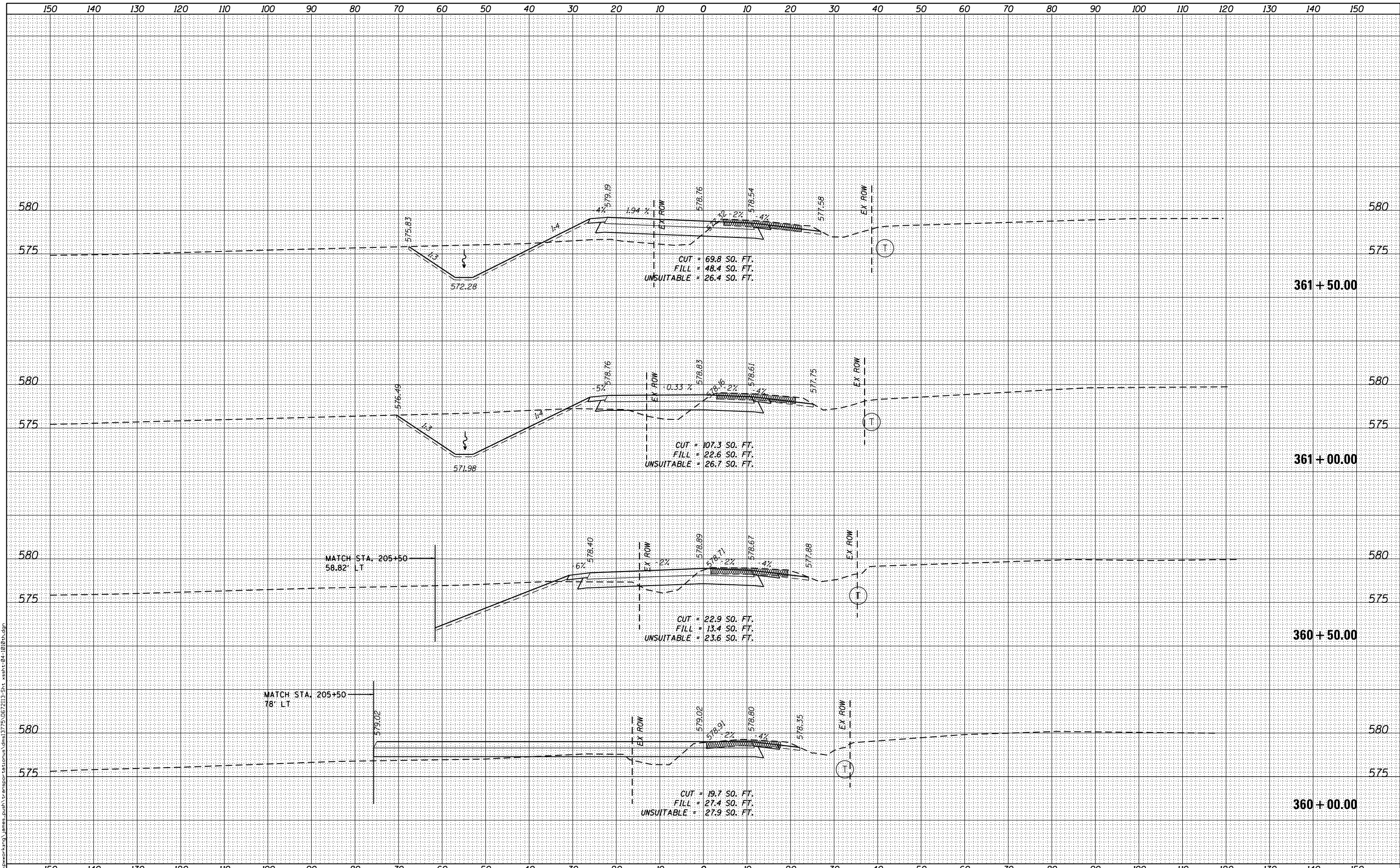
F.A.S. RTE.	SECTION	COUNTY	TOTAL SHEETS	SHEET NO.
1771A	D6 2015-7HSRR	LOGAN	127	116
				CONTRACT NO. 72113
ILLINOIS FED. AID PROJECT				



DATE	
BY	
ORIGINAL SURVEY	
PLOTTED	
TEMPLATE	
AREAS CHECKED	
NO.	

DATE	
BY	
ORIGINAL SURVEY	
PLOTTED	
TEMPLATE	
AREAS CHECKED	
NO.	

FILE NAME = c:\working\james.push\transport\stomus.dms\175\06\213-Sht xsht-04-1010.dgn



USER NAME = james.push	DESIGNED -	REVISD -
PLOT SCALE = 20.0000' / in.	DRAWN -	REVISD -
PLOT DATE = 12/10/2015	CHECKED -	REVISD -
	DATE - 12/11/2015	REVISD -

STATE OF ILLINOIS  
DEPARTMENT OF TRANSPORTATION

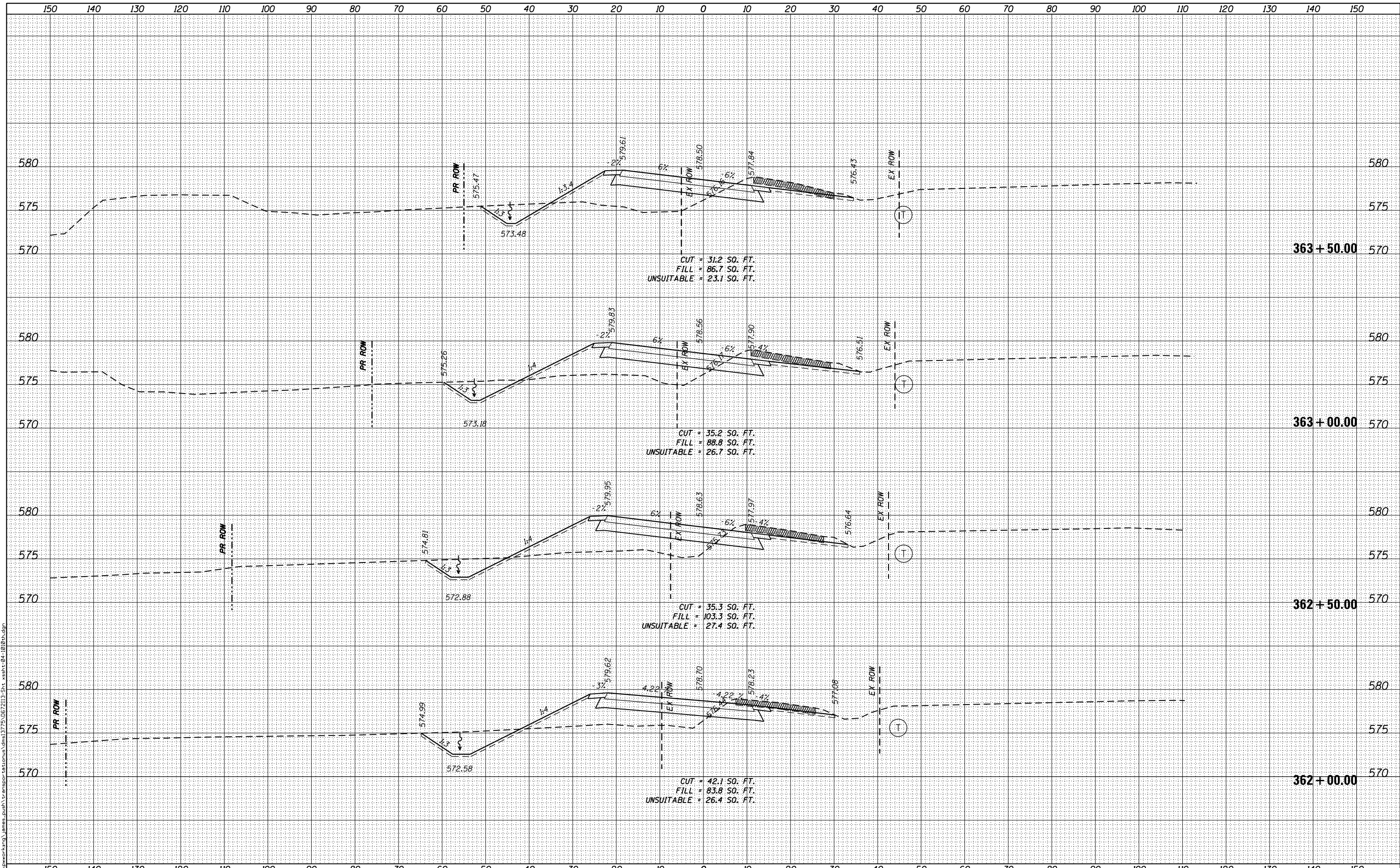
CROSS SECTIONS  
1010TH AVENUE  
SCALE: 1:10H,5V SHEET 4 OF 14 SHEETS STA. 360+00.00 TO STA. 361+50.00

F.A.S. RTE.	SECTION	COUNTY	TOTAL SHEETS	SHEET NO.
1771A	D6 2015-7HSRR	LOGAN	127	117
				CONTRACT NO. 72113
ILLINOIS FED. AID PROJECT				

DATE	
BY	
ORIGINAL SURVEY	
SURVEYED	
PLOTTED	
TEMPLATE	
NOTE BOOK	
AREAS CHECKED	
NO.	

DATE	
BY	
ORIGINAL SURVEY	
SURVEYED	
PLOTTED	
TEMPLATE	
NOTE BOOK	
AREAS CHECKED	
NO.	

FILE NAME = c:\working\james.push\transportation\1775\067213-Sht\_xsh1-04-10\01.dgn



USER NAME = james.push	DESIGNED -	REVISED -
PLOT SCALE = 20.0000' / in.	DRAWN -	REVISED -
PLOT DATE = 12/10/2015	CHECKED -	REVISED -
	DATE = 12/11/2015	REVISED -

STATE OF ILLINOIS  
DEPARTMENT OF TRANSPORTATION

CROSS SECTIONS  
1010TH AVENUE  
SCALE: 1:10H,5V SHEET 5 OF 14 SHEETS STA. 362+00.00 TO STA. 363+50.00

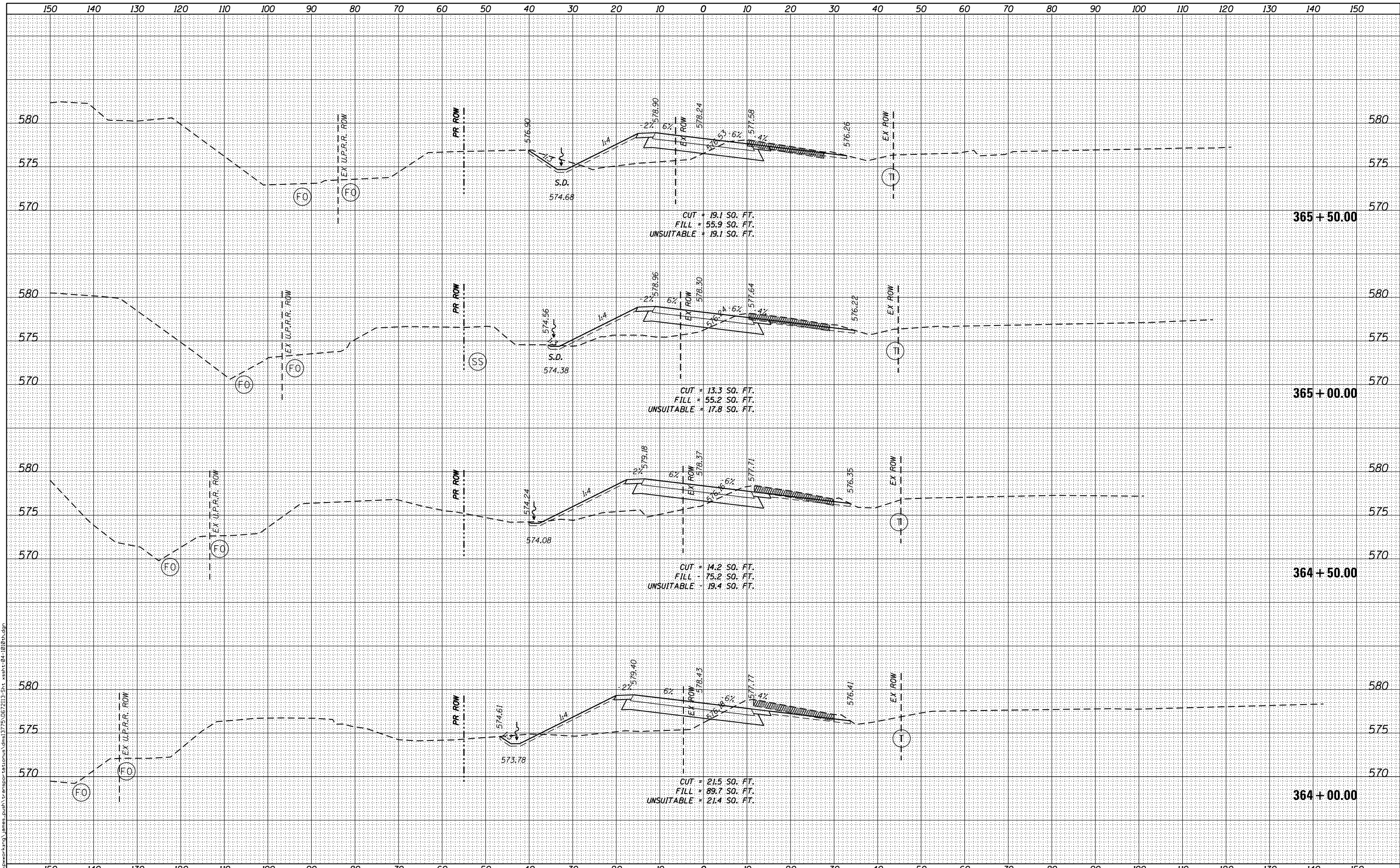
F.A.S. RTE.	SECTION	COUNTY	TOTAL SHEETS	SHEET NO.
1771A	D6 2015-7HSRR	LOGAN	127	118
			CONTRACT NO. 72113	

ILLINOIS FED. AID PROJECT

DATE	
BY	
FINAL SURVEY	SURVEYED
NOTE BOOK	PLOTTED
NO.	TEMPLATE
	AREAS CHECKED

DATE	
BY	
ORIGINAL SURVEY	SURVEYED
NOTE BOOK	PLOTTED
NO.	TEMPLATE
	AREAS CHECKED

FILE NAME = c:\working\james.push\transportation\175\06\213-Sht. xsh.t-04-10\01.dgn



USER NAME = james.push	DESIGNED -	REVISED -
PLOT SCALE = 20.0000' / in.	DRAWN -	REVISED -
PLOT DATE = 12/10/2015	CHECKED -	REVISED -
	DATE = 12/11/2015	REVISED -

STATE OF ILLINOIS  
DEPARTMENT OF TRANSPORTATION

CROSS SECTIONS  
1010TH AVENUE  
SCALE: 1:10H,5V SHEET 6 OF 14 SHEETS STA. 364+00.00 TO STA. 365+50.00

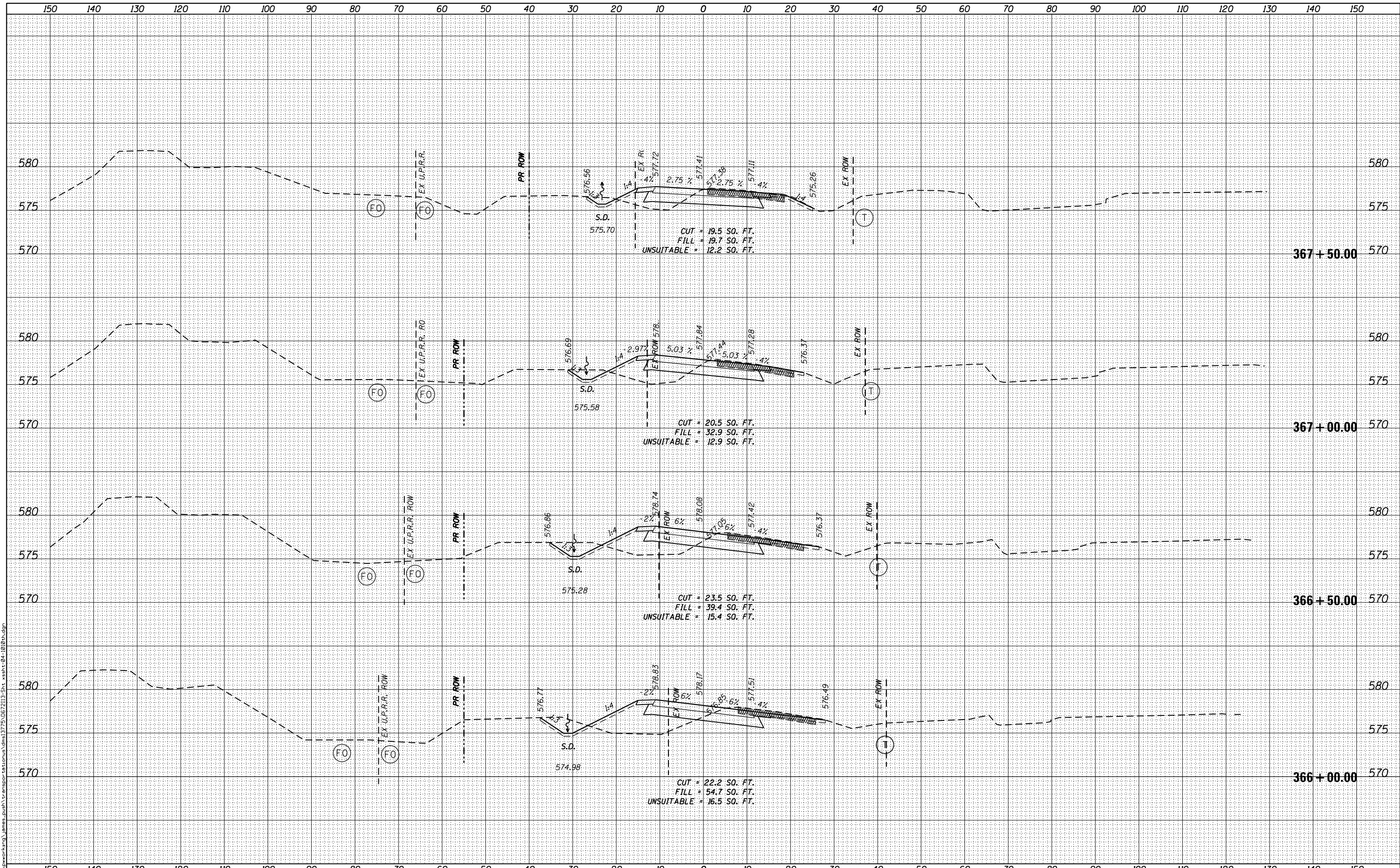
F.A.S. RTE.	SECTION	COUNTY	TOTAL SHEETS	SHEET NO.
1771A	D6 2015-7HSRR	LOGAN	127	119
				CONTRACT NO. 72113

ILLINOIS FED. AID PROJECT

DATE	
BY	
SURVEYED	
PLOTTED	
TEMPLATE	
AREAS	
CHECKED	
NO.	

DATE	
BY	
SURVEYED	
PLOTTED	
TEMPLATE	
AREAS	
CHECKED	
NO.	

FILE NAME = c:\working\james.push\transport\stomus\dms1375\067213-Sht\_xsh1-04-10\01.dgn



USER NAME = james.push	DESIGNED -	REVISED -
PLOT SCALE = 20.0000' / in.	DRAWN -	REVISED -
PLOT DATE = 12/10/2015	CHECKED -	REVISED -
	DATE = 12/11/2015	REVISED -

**STATE OF ILLINOIS  
DEPARTMENT OF TRANSPORTATION**

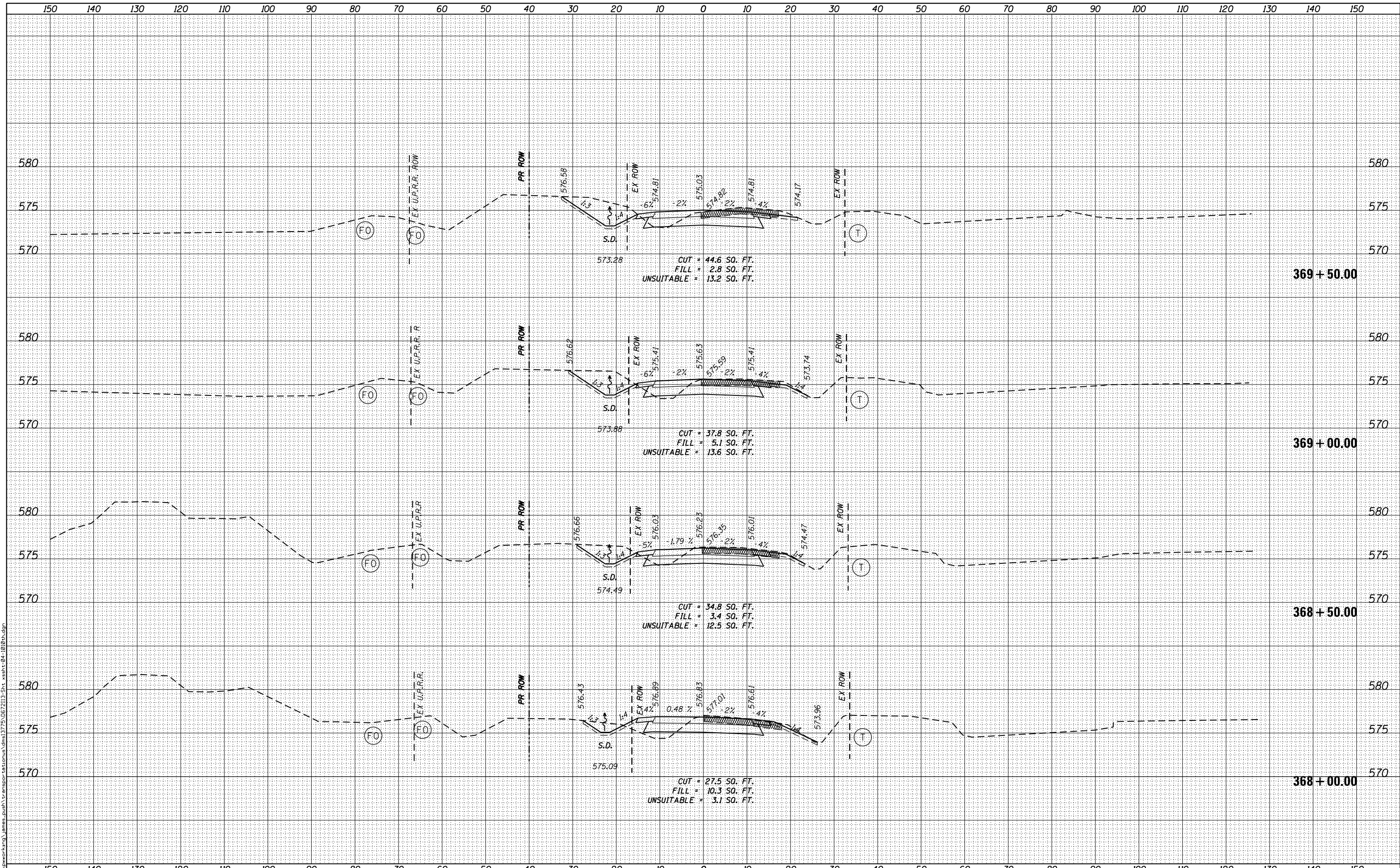
**CROSS SECTIONS  
1010TH AVENUE**  
 SCALE: 1:10H,5V SHEET 7 OF 14 SHEETS STA. 366+00.00 TO STA. 367+50.00

F.A.S. RTE.	SECTION	COUNTY	TOTAL SHEETS	SHEET NO.
1771A	D6 2015-7HSRR	LOGAN	127	120
			CONTRACT NO. 72113	
ILLINOIS FED. AID PROJECT				

DATE	
BY	
SURVEYED	
PLOTTED	
TEMPLATE	
AREAS	
CHECKED	
NO.	

DATE	
BY	
SURVEYED	
PLOTTED	
TEMPLATE	
AREAS	
CHECKED	
NO.	

FILE NAME = c:\working\james.push\transportation\1775\067213-Sht\_xsh1-04-10\01.dgn



USER NAME = james.push	DESIGNED -	REVISIED -
PLOT SCALE = 20.0000' / in.	DRAWN -	REVISIED -
PLOT DATE = 12/10/2015	CHECKED -	REVISIED -
	DATE = 12/11/2015	REVISIED -

**STATE OF ILLINOIS  
DEPARTMENT OF TRANSPORTATION**

**CROSS SECTIONS  
1010TH AVENUE**

SCALE: 1:10H,5V    SHEET 8 OF 14 SHEETS    STA. 368+00.00 TO STA. 369+50.00

F.A.S. RTE.	SECTION	COUNTY	TOTAL SHEETS	SHEET NO.
1771A	D6 2015-7HSRR	LOGAN	127	121
				CONTRACT NO. 72113
ILLINOIS FED. AID PROJECT				







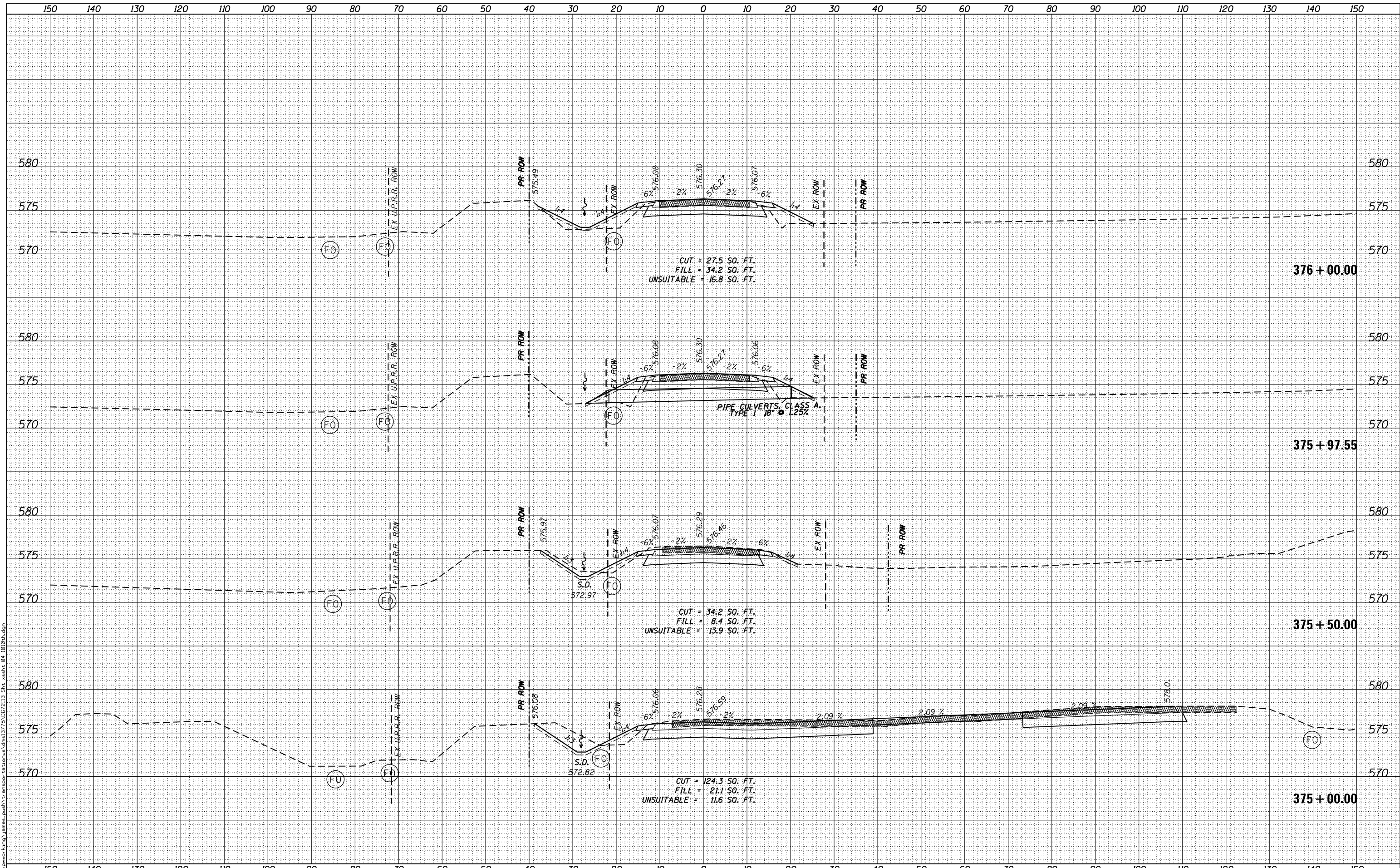




DATE	
BY	
NO.	
ORIGINAL SURVEY	
SURVEYED	
PLOTTED	
TEMPLATE	
AREAS	
CHECKED	
AREAS	
CHECKED	

DATE	
BY	
NO.	
ORIGINAL SURVEY	
SURVEYED	
PLOTTED	
TEMPLATE	
AREAS	
CHECKED	
AREAS	
CHECKED	

FILE NAME = c:\working\james.push\transpor\1010th\1375\067213-Sht\_xsh13-04-1010.dgn



USER NAME = james.push	DESIGNED -	REVISD -
PLOT SCALE = 20.0000' / in.	DRAWN -	REVISD -
PLOT DATE = 12/10/2015	CHECKED -	REVISD -
	DATE = 12/11/2015	REVISD -

DESIGNED -	REVISD -
DRAWN -	REVISD -
CHECKED -	REVISD -
DATE = 12/11/2015	REVISD -

STATE OF ILLINOIS  
DEPARTMENT OF TRANSPORTATION

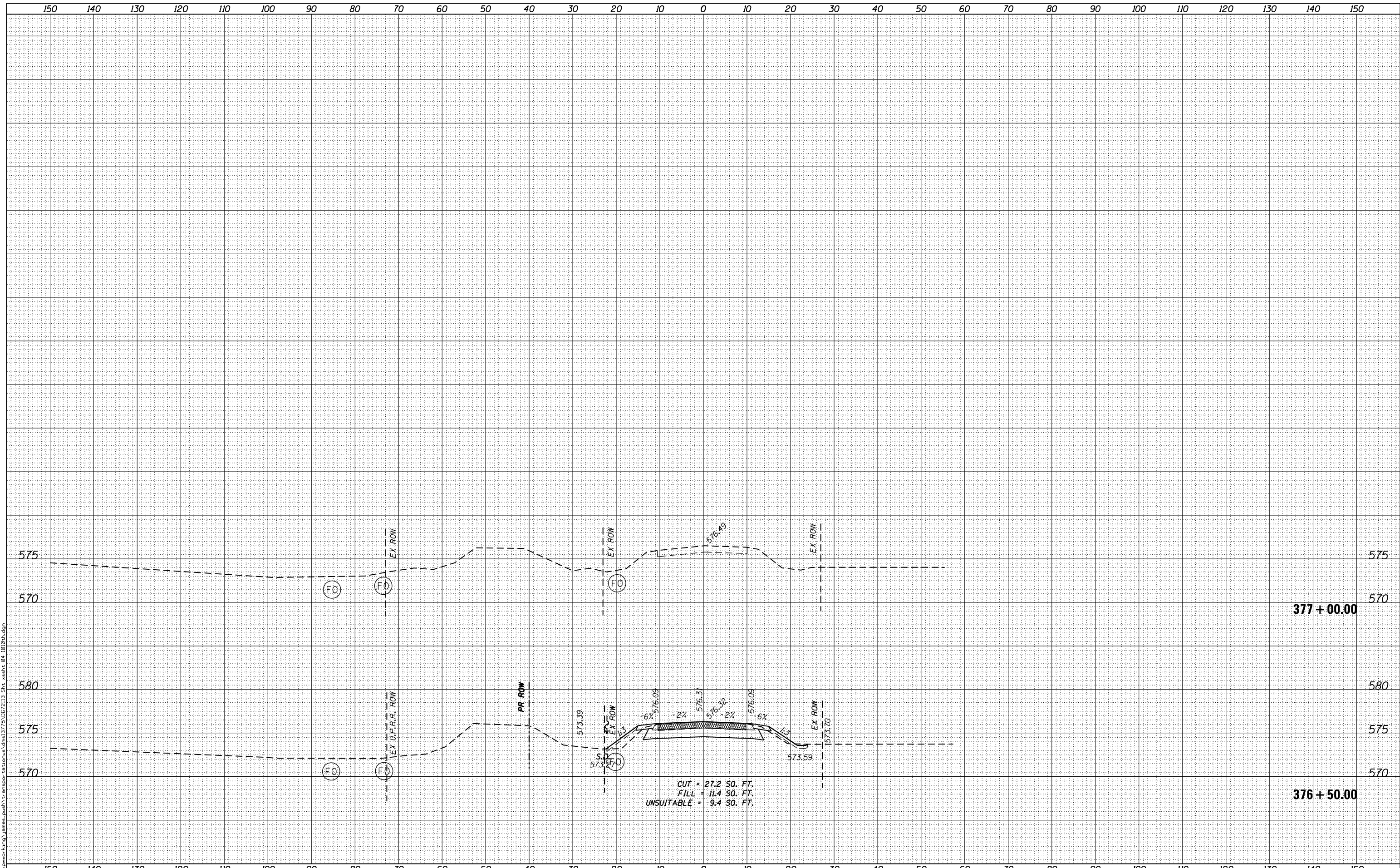
CROSS SECTIONS  
1010TH AVENUE  
SCALE: 1:10H,5V SHEET 13 OF 14 SHEETS STA. 375+00.00 TO STA. 376+00.00

F.A.S. RTE.	SECTION	COUNTY	TOTAL SHEETS	SHEET NO.
1771A	D6 2015-7HSRR	LOGAN	127	126
			CONTRACT NO. 72113	
ILLINOIS FED. AID PROJECT				

DATE	
BY	
FINAL SURVEY NO.	
SURVEYED PLOTTED	
NOTE BOOK AREAS CHECKED	
TEMPLATE AREAS CHECKED	

DATE	
BY	
ORIGINAL SURVEY NO.	
SURVEYED PLOTTED	
NOTE BOOK AREAS CHECKED	
TEMPLATE AREAS CHECKED	

FILE NAME = c:\working\james.push\transportation\1775\06\7213-Sht. xshht-04-10\04.dgn



USER NAME = james.push	DESIGNED -	REvised -
	DRAWN -	REvised -
PLOT SCALE = 20.0000' / in.	CHECKED -	REvised -
PLOT DATE = 12/10/2015	DATE = 12/11/2015	REvised -

**STATE OF ILLINOIS**  
**DEPARTMENT OF TRANSPORTATION**

SCALE: 1:10H,5V    SHEET 14 OF 14 SHEETS    STA. 376+50.00 TO STA. 377+00.00

F.A.S. RTE.	SECTION	COUNTY	TOTAL SHEETS	SHEET NO.
1771A	D6 2015-7HSRR	LOGAN	127	127
			CONTRACT NO. 72113	
ILLINOIS FED. AID PROJECT				