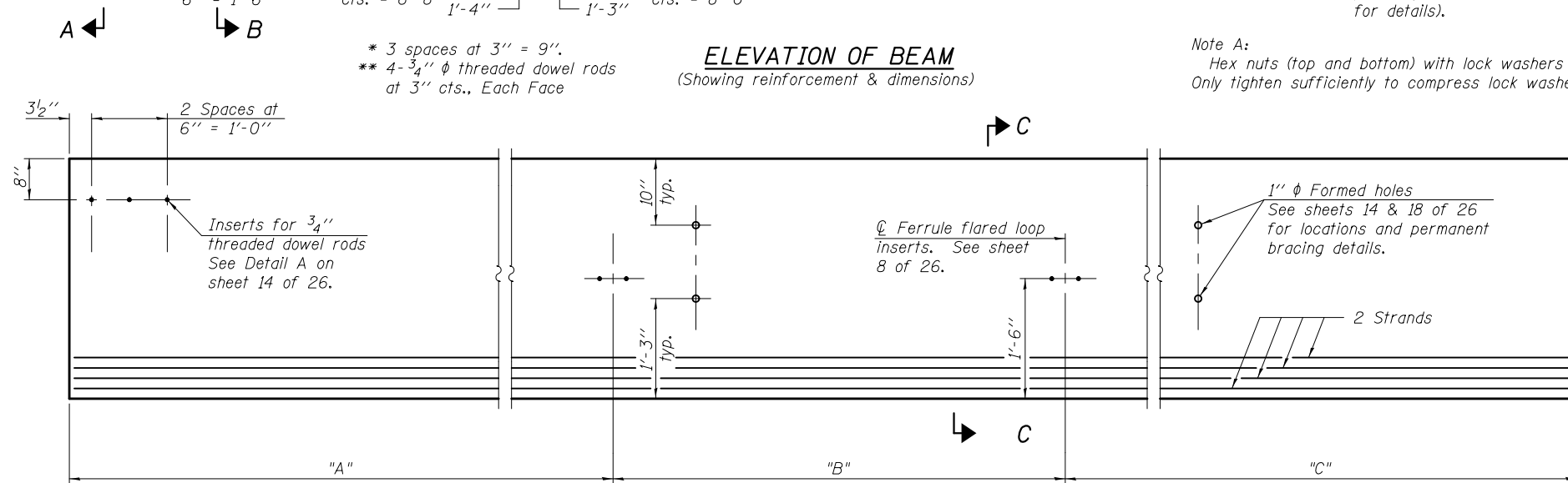


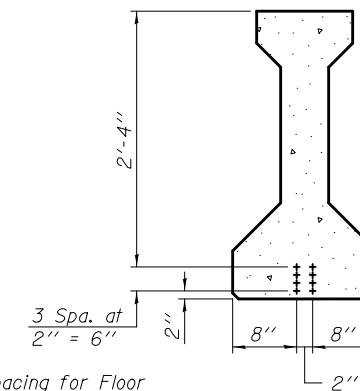
* 3 spaces at 3" = 9".
 ** 4-3/4" ϕ threaded dowel rods at 3" cts., Each Face

ELEVATION OF BEAM
 (Showing reinforcement & dimensions)

Note A:
 Hex nuts (top and bottom) with lock washers (top). Only tighten sufficiently to compress lock washers.



Insert spacing for Floor Drain clamp connections
 See table for dimensions

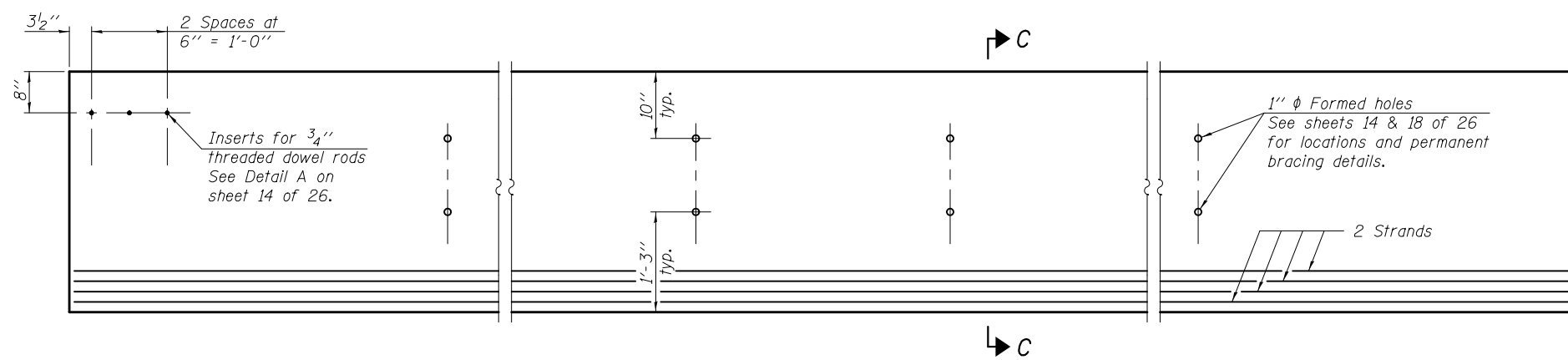


*****BAR LIST
 ONE BEAM ONLY**

Bar	No.	Size	Length	Shape
G ₁	35	#4	7'-7"	\cap L
G ₂	8	#4	5'-8"	\cap
G ₃	6	#5	20'-11"	—
G ₄	38	#3	4'-1"	Δ
G ₆	2	#8	6'-6"	U

***For information only

Notes:
 See sheet 18 of 26 for additional details and Bill of Material.
 Required release strength, f'_{ci} , shall be 5,000 psi.



Location	"A"	"B"	"C"
Beam 1	16'-0 1/2"	12'-0"	11'-1 1/2"
Beam 6	12'-11 1/2"	12'-0"	15'-0 1/2"

PI-4-36

7-1-10

DESIGNED - MARK D. SHAFFER	EXAMINED - <i>Jaime F. Joffe</i> ACTING ENGINEER OF BRIDGE DESIGN	DATE - JANUARY 24, 2014
CHECKED - STEPHEN M. RYAN	PASSED - <i>Carl Berger</i> ACTING ENGINEER OF BRIDGES AND STRUCTURES	REVISED
DRAWN - MICHAEL B. MOSSMAN		REVISED
CHECKED - F.T. / G.R.A.		

STATE OF ILLINOIS
 DEPARTMENT OF TRANSPORTATION

36" PPC I-BEAM (SPAN 3)
 STRUCTURE NO. 100 - 0081

SHEET NO. 17 OF 26 SHEETS

F.A.U. RTE.	SECTION	COUNTY	TOTAL SHEETS	SHEET NO.
9588	39B-2	WILLIAMSON	224	110
CONTRACT NO. 78277			ILLINOIS FED. AID PROJECT	