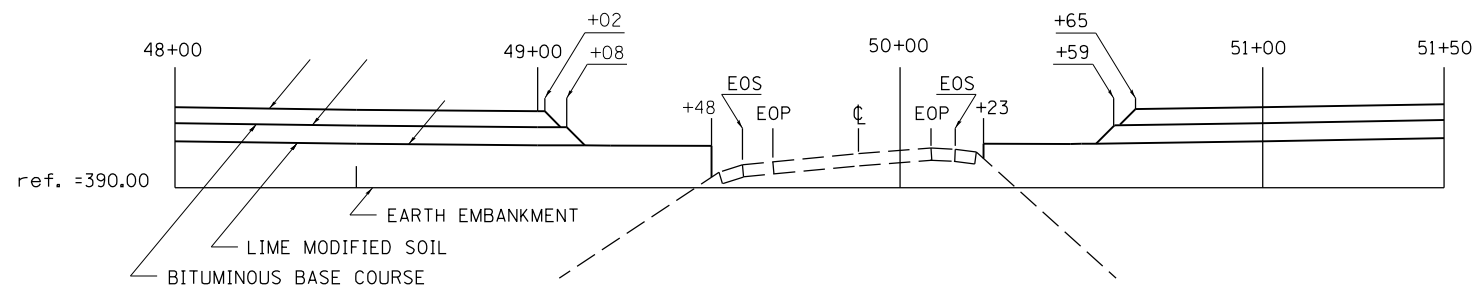


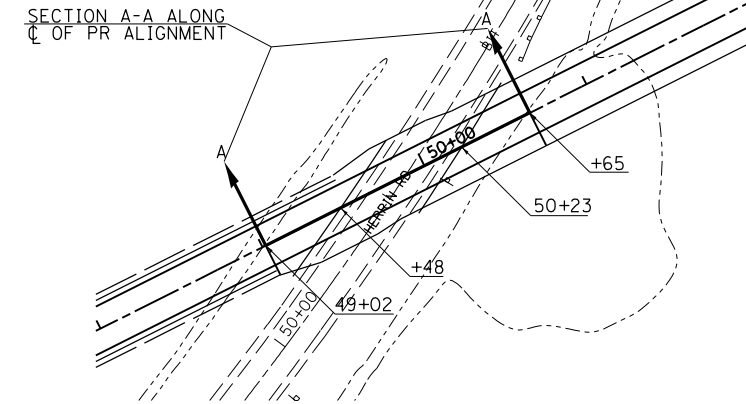
F.A.U. RTE.	SECTION	COUNTY	TOTAL SHEETS	SHEET NO.
9588*	39R-LB-1B-2I	WILLIAMSON	224	48
FED. ROAD DIST. NO.		ILLINOIS	FED. AID PROJECT	
• & FAS 903		CN 78277		

PRE-STAGE - TRAFFIC IS ON THE EXISTING ALIGNMENT

SECTION A-A ALONG \bar{C} OF PR ALIGNMENT



PLAN VIEW OF STAGING AREA



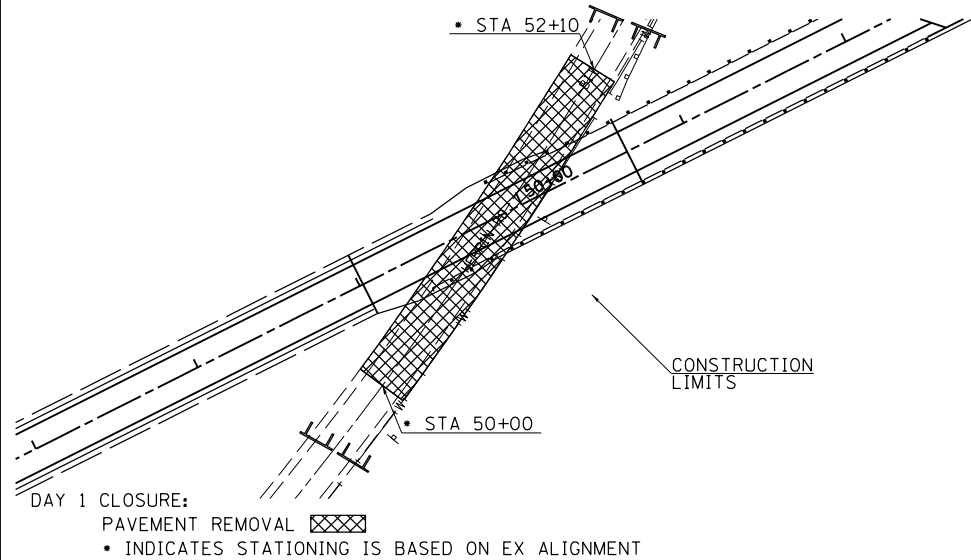
PRE-STAGE NOTES:

1. THE ENTIRE PR ALIGNMENT INCLUDING THE BANDYVILLE AND CHITTYVILLE ROAD RELOCATIONS MUST BE COMPLETED PRIOR TO STARTING THIS STAGE OF CONSTRUCTION.
2. CONSTRUCT EARTH EMBANKMENT, LIME MODIFIED SOIL AND BITUMINOUS BASE COURSE TO LIMITS AS SHOWN.

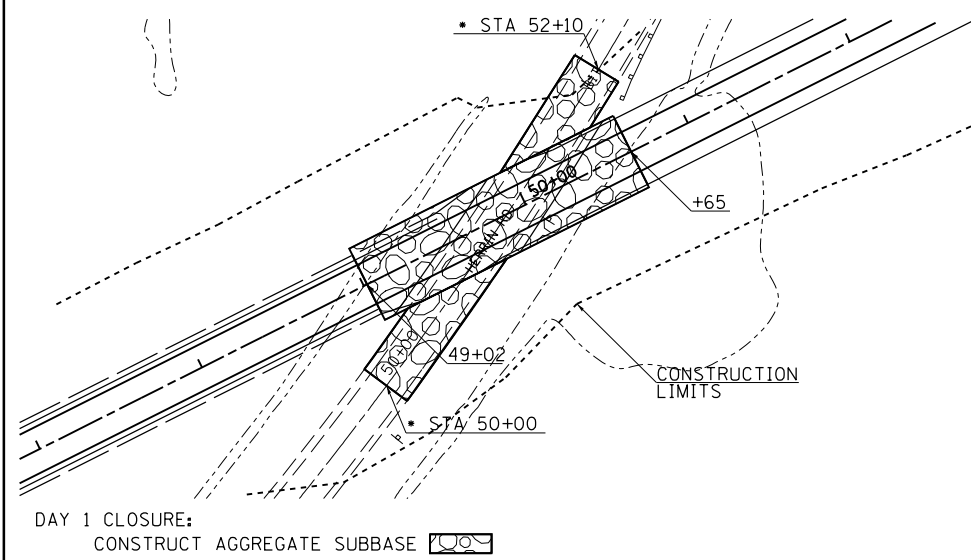
NOTES:

CONSTRUCT EARTH EMBANKMENT, LIME MODIFIED SOIL, AND BITUMINOUS BASE COURSE TO LIMITS AS SHOWN ABOVE.

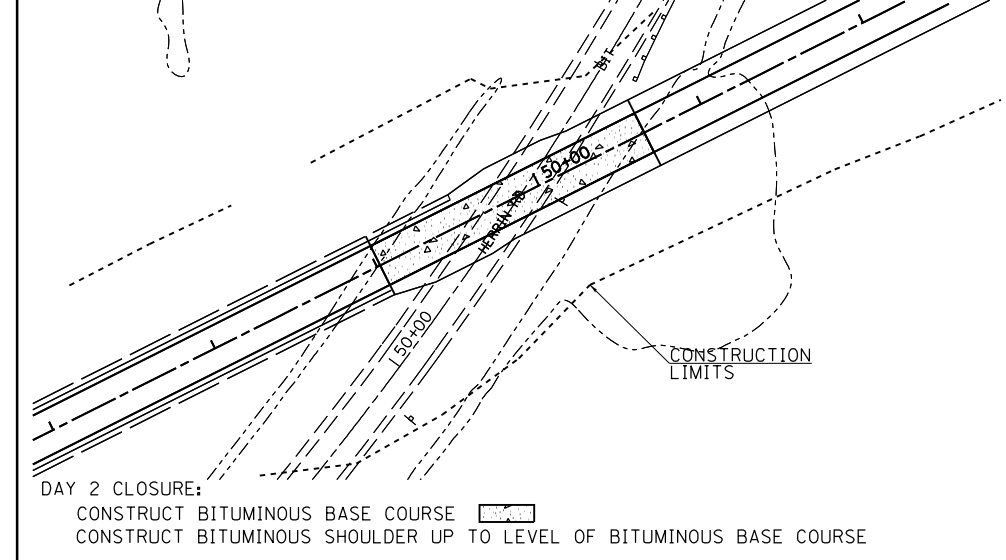
PLAN VIEW OF STAGING AREA



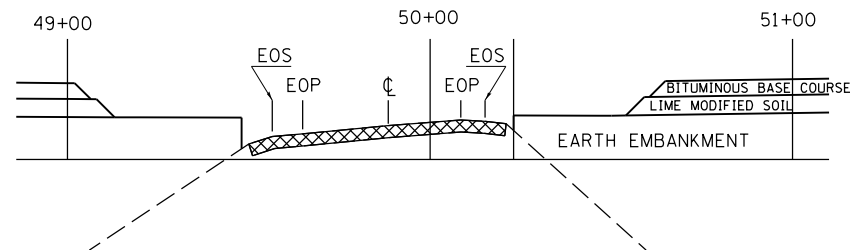
PLAN VIEW OF STAGING AREA



PLAN VIEW OF STAGING AREA

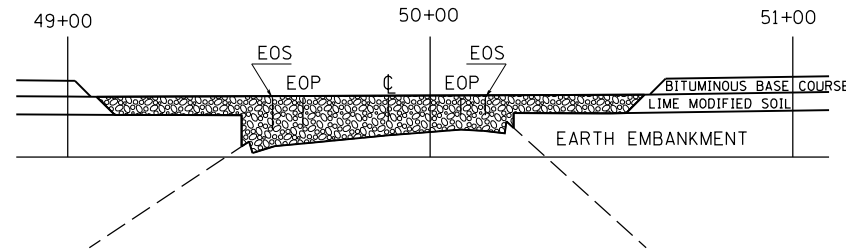


SECTION A-A ALONG \bar{C} OF PR ALIGNMENT



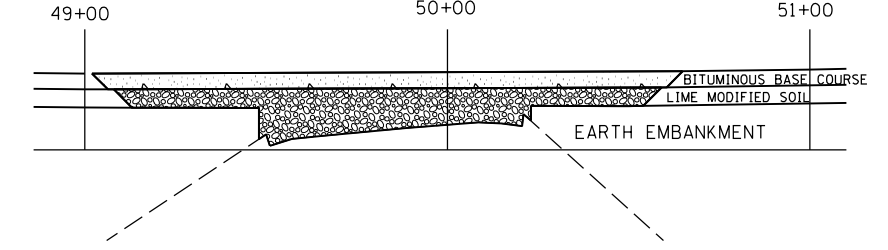
DAY 1 CLOSURE:
PAVEMENT REMOVAL

SECTION A-A ALONG \bar{C} OF PR ALIGNMENT



DAY 1 CLOSURE:
CONSTRUCT AGGREGATE SUBBASE

SECTION A-A ALONG \bar{C} OF PR ALIGNMENT



DAY 2 CLOSURE:
1. CONSTRUCT BITUMINOUS BASE COURSE
2. CONSTRUCT BITUMINOUS SHOULDER TO THE LEVEL OF BITUMINOUS BASE COURSE PRIOR TO OPENING TRAFFIC.
3. OPEN PR ALIGNMENT TO TRAFFIC ONCE THIS STAGE IS COMPLETE.

STAGED CONSTRUCTION DETAIL