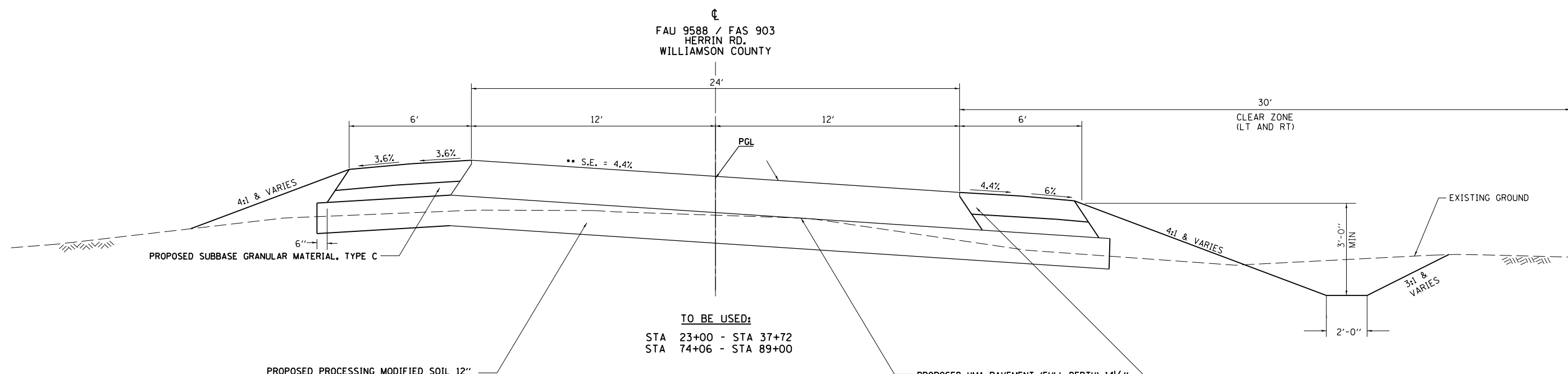
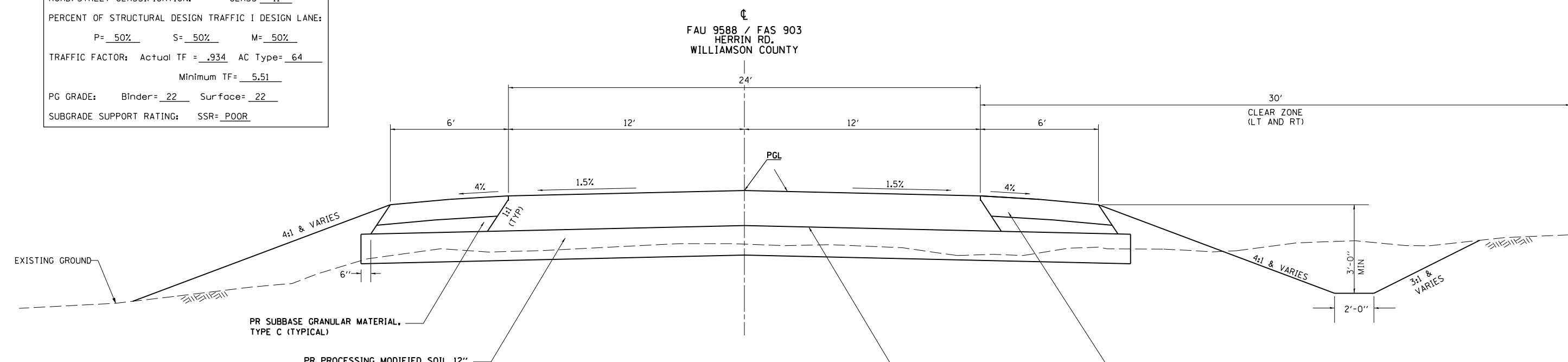


F.A.U. RTE.	SECTION	COUNTY	TOTAL SHEETS	SHEET NO
9588*	39R-1B-1B-2)	WILLIAMSON	224	19
FED. ROAD DIST. NO.		ILLINOIS	FED. AID PROJECT	
• & FAS 903		CN 78277		



STRUCTURAL DESIGN TRAFFIC:	YEAR 2021
PV=	6527
SU=	244
MU=	183
ROAD/STREET CLASSIFICATION:	CLASS II
PERCENT OF STRUCTURAL DESIGN TRAFFIC I DESIGN LANE:	
P=	50%
S=	50%
M=	50%
TRAFFIC FACTOR: Actual TF =	.934
AC Type=	64
Minimum TF=	5.51
PG GRADE: Binder=	22
Surface=	22
SUBGRADE SUPPORT RATING: SSR=	POOR

•• VARIES SEE SUPERELEVATION TRANSITION DETAIL SHEET



• TO BE PAID FOR AS HMA SHOULDERS, 8", SQ YD